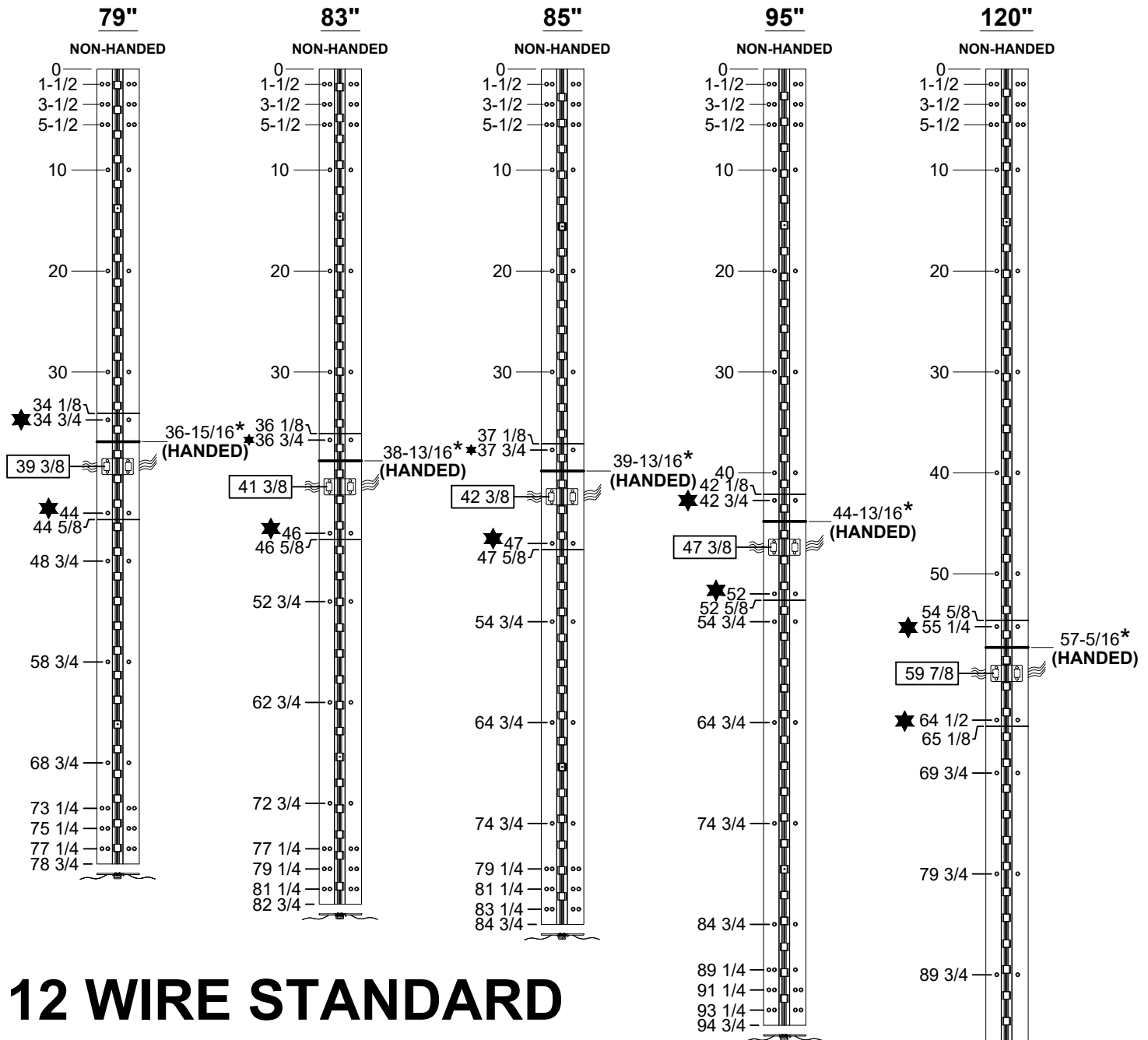


# A170HD/LL - "EA" & "R" ELECTRICAL MODIFICATION WITH REMOVABLE OPTION



## 12 WIRE STANDARD

R = REMOVABLE, (3) INDIVIDUAL HINGES, THRU WIRE CAN BE REMOVED TO ACCESS WIRES.



[Box] = STANDARD LOCATION

\* = LL (LEAD LINED) OPTION (HANDED) LOCATION

★ = MANUFACTURING TO ADD (4) COUNTERSINK THRU HOLES FOR #12 FLAT HEAD SCREW.

### STANDARD HINGE SIZES & SCREW DETAIL

NOMINAL DOOR HEIGHT		6'8"		7'0"		7'2"		8'0"		10'0"	
ACTUAL HINGE LENGTH		79"		83"		85"		95"		120"	
		HD	LL	HD	LL	HD	LL	HD	LL	HD	LL
FRAME	12-24 x 3/4" PHILLIPS FLAT HEAD, UNDERCUT, SELF DRILLING, THREAD FORMING TEK MACHINE SCREW	20	30	20	30	20	30	22	34	24	38
DOOR	12-24 x 3/4" PHILLIPS FLAT HEAD, UNDERCUT, SELF DRILLING, THREAD FORMING TEK MACHINE SCREW	20	30	20	30	20	30	22	34	24	38

A170-EA & R, ELECTRICAL MODIFICATION WITH REMOVABLE OPTION-1-00.DWG



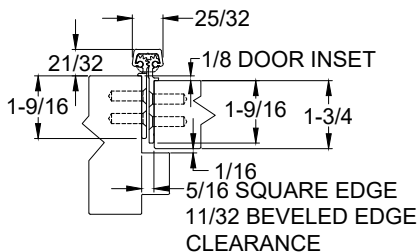
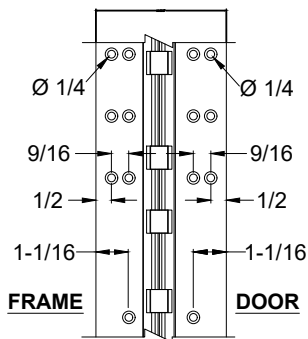
www.abhmfg.com  
 E-mail: abhinfo@abhmfg.com  
 Architectural Builders Hardware Mfg., Inc.  
 1222 Ardmore Ave., Itasca, IL 60143  
 630.875.9900; FAX 800.9FAXABH (932.9224)

© 2023 ABH Mfg., Inc.  
 printed in USA

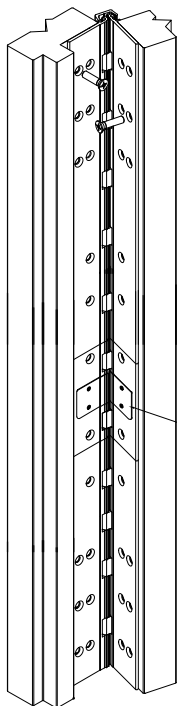
**A170HD/LL - "EA" & "R"**  
 ELECTRICAL MODIFICATION  
 WITH REMOVABLE OPTION

PAGE 1 OF 2  
 ISSUED 06-06-23

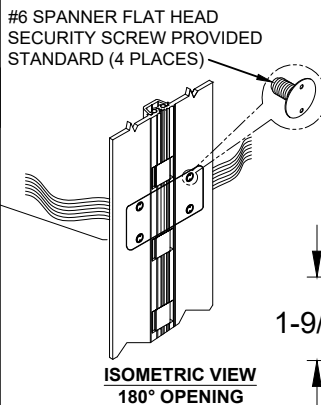
# A170HD/LL - "EA" & "R" ELECTRICAL MODIFICATION WITH REMOVABLE OPTION



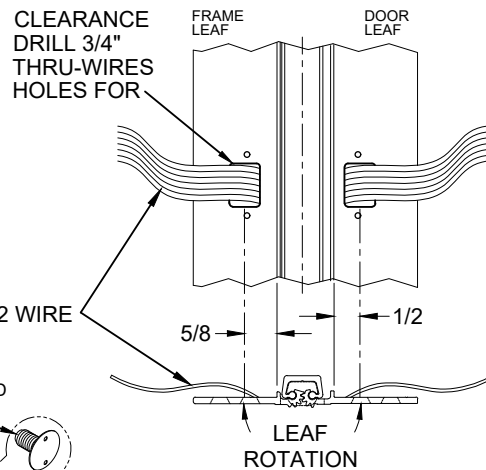
**CLOSED POSITION**



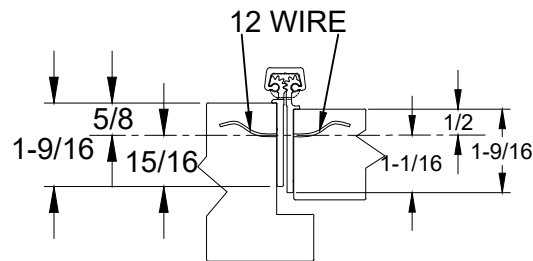
**ISOMETRIC VIEW  
~90° OPENING**



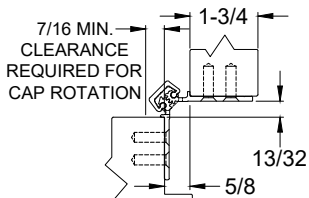
**ISOMETRIC VIEW  
180° OPENING**



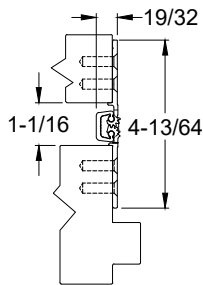
**WIRE TRANSFER VIEW**



**WIRE TRANSFER VIEW**



**90° OPENING**



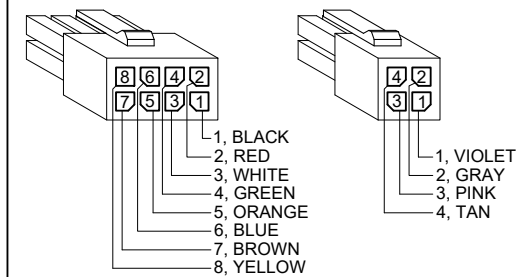
**180° OPENING**

**NOTES:**

1. MOLEX CONNECTOR OPTION AVAILABLE - SUFFIX "EZ".

\* SPECIFY ELECTRIFIED HARDWARE MANUFACTURER FOR CONNECTOR COMPATIBILITY

**EZ CONNECT OPTION**



**SPECIFICATION:**

**DESCRIPTION:** SINGLE CONDUCTOR #22 AWG MINIATURE HOOK-UP WIRE FOR APPLICATIONS REQUIRING EXTREME FLEXIBILITY.

**CONDUCTOR:** #22 AWG 168/44 (0.002") SOFT BARE COPPER LHL.

**INSULATION:** PROPRIETARY FORMULATION PVC 0.010" NOM. WALL MEETS VW-1 FLAME REQUIREMENT.

**DIAMETER:** 0.053" ± 0.003".

**RESISTANCE:** 16.7 OHMS MAX. @ 20°C, PER 1000 FT.

**VOLTAGE RATING:** 600 VOLTS RMS, DEPENDING ON SPECIFICATION.

**AVAILABLE AS RoHS COMPLIANT.**

A170-EA & R, ELECTRICAL MODIFICATION WITH REMOVABLE OPTION-2-00.DWG