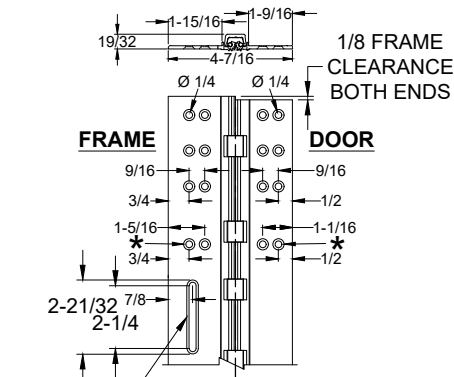
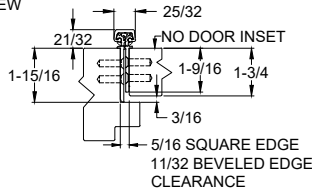


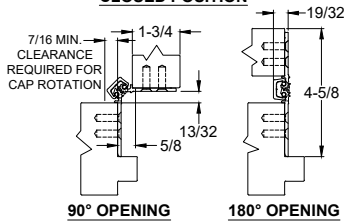
# A120HD / A120LL - ALUMINUM GEARED HINGE, 1/8" INSET, FULL CONCEALED WITH FRAME MOUNTING SLOTS



SLOT COUNTERSUNK FOR #12 FLAT HEAD SCREW



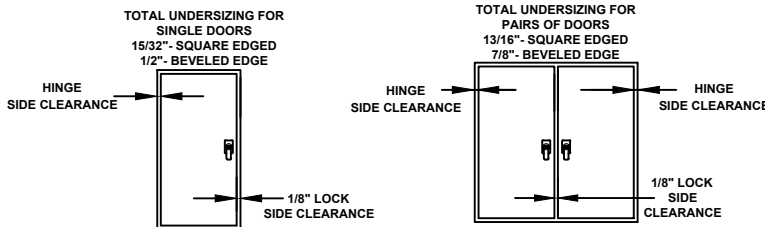
### CLOSED POSITION



#### NOTES:

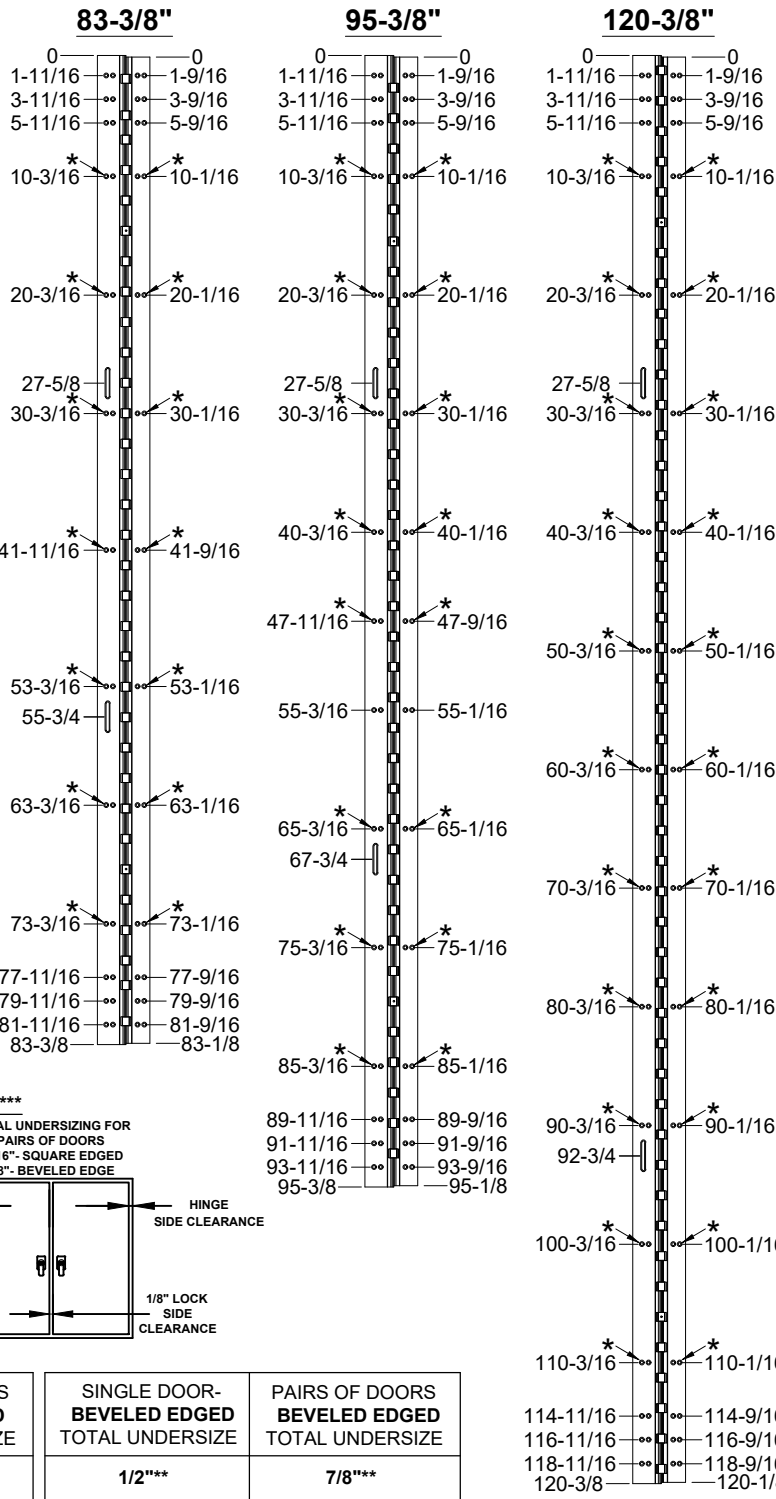
1. HINGES CUT TO CUSTOM LENGTH ARE CUT FROM THE BOTTOM. PLEASE SPECIFY HANDING.
2. ALL DIMENSIONS ARE IN INCHES.
3. ALL DIMENSIONS ARE TO CENTERLINE OF HOLES & SLOTS.
4. \* = DENOTES EXTRA MOUNTING HOLE FOR THE LEAD-LINE MODEL.

### TOTAL DOOR UNDERSIZING\*\*\*



HINGE MODEL	SINGLE DOOR- SQUARE EDGED TOTAL UNDERSIZE	PAIRS OF DOORS SQUARE EDGED TOTAL UNDERSIZE	SINGLE DOOR- BEVELED EDGED TOTAL UNDERSIZE	PAIRS OF DOORS BEVELED EDGED TOTAL UNDERSIZE
A120	15/32***	13/16***	1/2***	7/8***

\*\*\*REFER TO WWW.ABHMFG.COM FOR COMPLETE DOOR CLEARANCE CHART  
\*\* 1/32" FRAME IRREGULARITY INCLUDED(OPTIONAL)- NOT PERMITTED BY NFPA80  
NOTE: BEVELED EDGE CLEARANCE IS TAKEN FROM THE HIGH SIDE OF THE DOOR



STANDARD HINGE SIZES & SCREW DETAIL							
NOMINAL DOOR HEIGHT		7'0"		8'0"		10'0"	
ACTUAL HINGE LENGTH		83-3/8"		95-3/8"		120-3/8"	
		HD	LL	HD	LL	HD	LL
FRAME	12-24 x 3/4" PHILLIPS FLAT HEAD, UNDERCUT, SELF DRILLING, THREAD FORMING TEK MACHINE SCREW	21	28	23	32	25	36
DOOR	12-24 x 3/4" PHILLIPS FLAT HEAD, UNDERCUT, SELF DRILLING, THREAD FORMING TEK MACHINE SCREW	19	26	21	30	23	34



www.abhmfg.com  
E-mail: abhinfo@abhmfg.com  
Architectural Builders Hardware Mfg., Inc.  
1222 Ardmore Ave., Itasca, IL 60143  
630.875.9900; FAX 800.9FAXABH (932.9224)

A120  
ALUMINUM GEARED HINGE  
WITH FRAME MTG SLOTS  
© 2024 ABH Mfg., Inc.  
printed in USA  
PAGE 1 OF 1  
REVISED 03-29-24