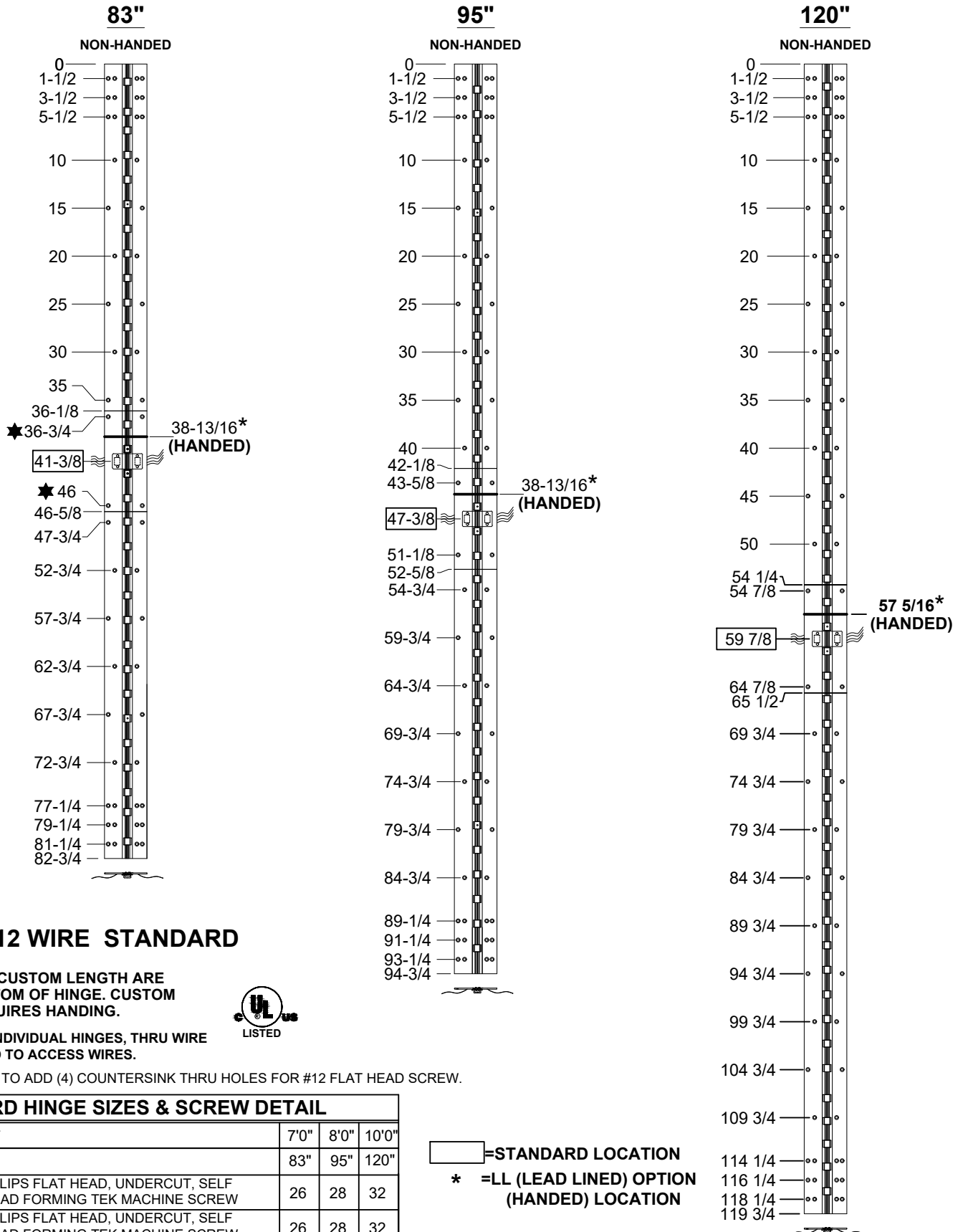


A260HD/LL - "EA" & "R" ELECTRICAL MODIFICATION WITH REMOVABLE OPTION



A260HD-EA & R, ELECTRICAL MODIFICATION WITH REMOVABLE OPTION-1-04.DWG

www.abhmfg.com
 E-mail: abhinfo@abhmfg.com
 Architectural Builders Hardware Mfg., Inc.
 1222 Ardmore Ave., Itasca, IL 60143
 630.875.9900; FAX 800.9FAXABH (932.9224)

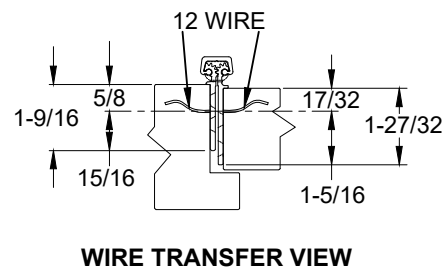
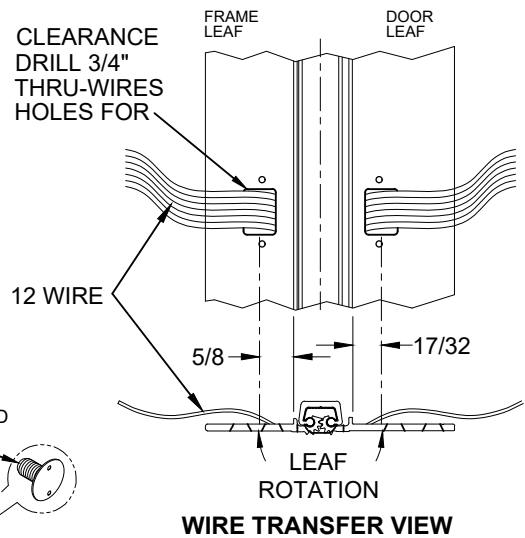
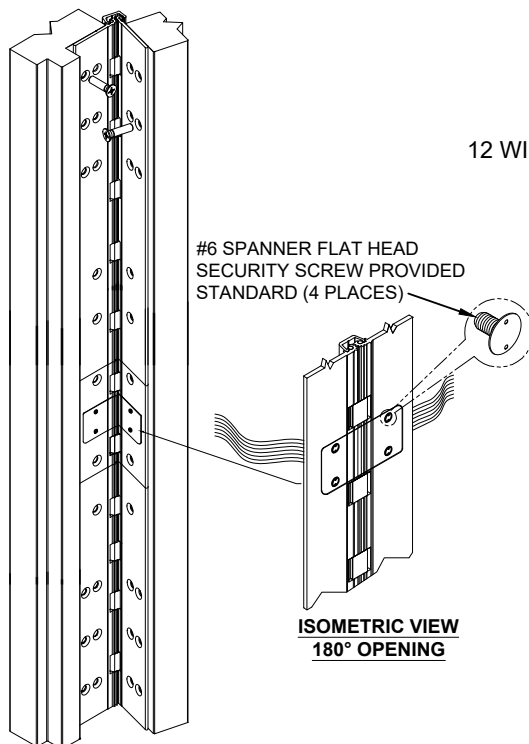
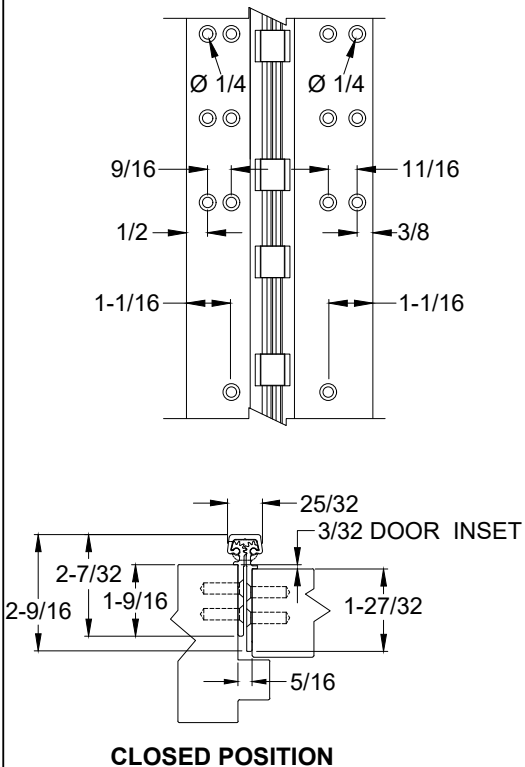
© 2023 ABH Mfg., Inc.
printed in USA

A260HD/LL - "EA" & "R"
 ELECTRICAL MODIFICATION
 WITH REMOVABLE OPTION

PAGE 1 OF 2
 REVISED 06-06-23



A260HD/LL - "EA" & "R" ELECTRICAL MODIFICATION WITH REMOVABLE OPTION

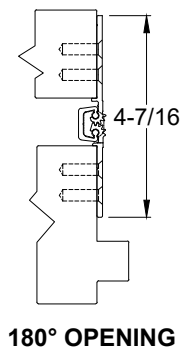
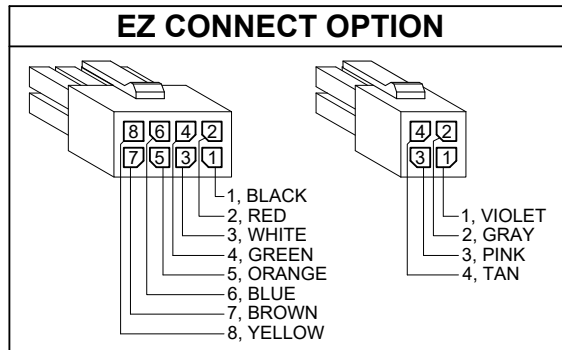


ISOMETRIC VIEW ~90° OPENING

NOTES:

1. MOLEX CONNECTOR OPTION AVAILABLE - SUFFIX "EZ".

* SPECIFY ELECTRIFIED HARDWARE MANUFACTURER FOR CONNECTOR COMPABILITY



SPECIFICATION:

DESCRIPTION: SINGLE CONDUCTOR #22 AWG MINIATURE HOOK-UP WIRE FOR APPLICATIONS REQUIRING EXTREME FLEXIBILITY.

CONDUCTOR: #22 AWG 168/44 (0.002") SOFT BARE COPPER LHL.

INSULATION: PROPRIETARY FORMULATION PVC 0.010" NOM. WALL MEETS VW-1 FLAME REQUIREMENT.

DIAMETER: 0.053" ± 0.003".

RESISTANCE: 16.7 OHMS MAX. @ 20°C, PER 1000 FT.

VOLTAGE RATING: 600 VOLTS RMS, DEPENDING ON SPECIFICATION.

AVAILABLE AS RoHS COMPLIANT.

A260HD-EA & R, ELECTRICAL MODIFICATION WITH REMOVABLE OPTION-2-04.DWG