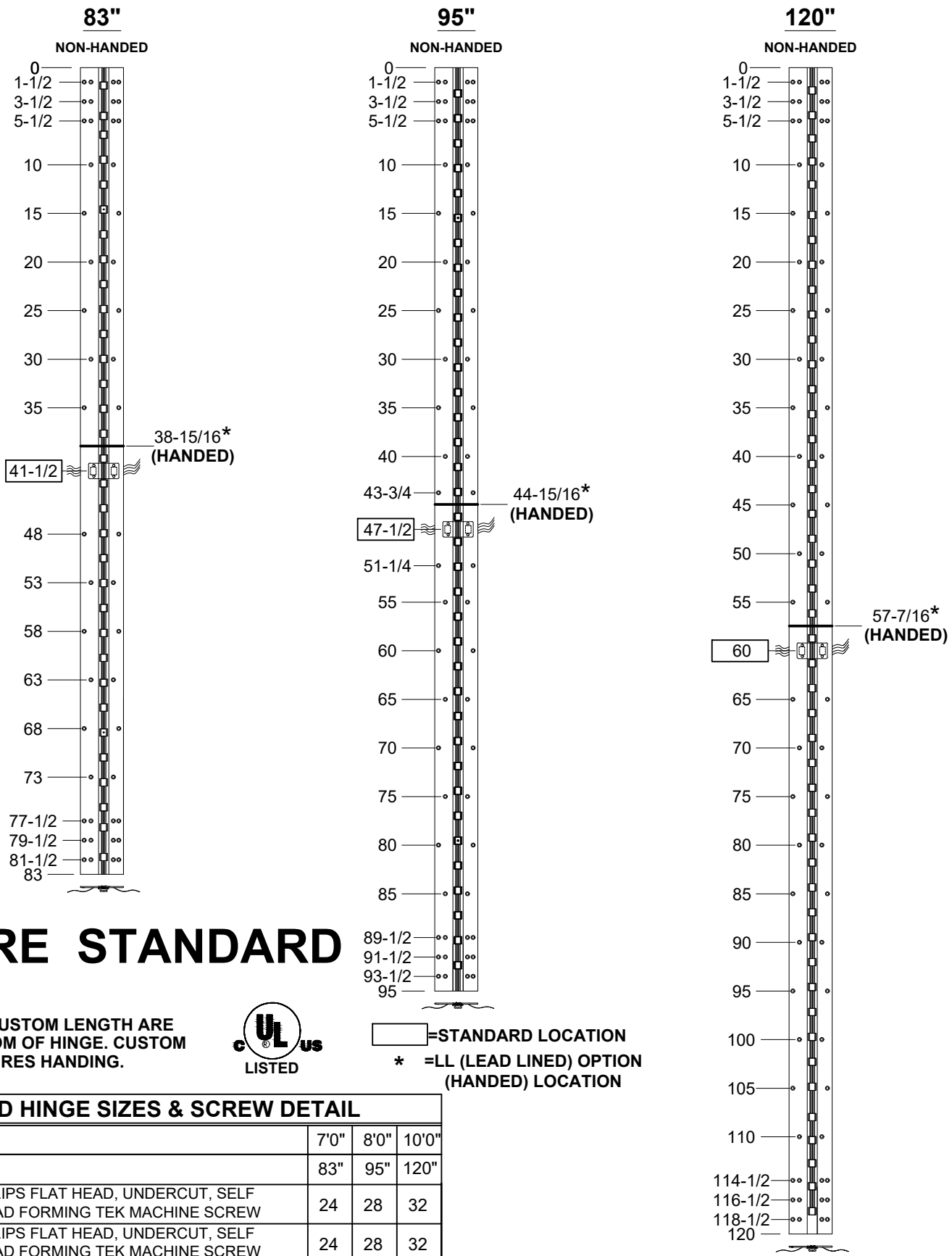


**A260HD/LL - "EA" OPTION, EASY ACCESS, CONCEALED ELECTRIFICATION, FULL CONCEALED, ALUMINUM GEARED HINGE**



# 12 WIRE STANDARD

**NOTES:**

- 1. HINGES CUT TO CUSTOM LENGTH ARE CUT FROM BOTTOM OF HINGE. CUSTOM CUT HINGE REQUIRES HANDING.



   = STANDARD LOCATION  
 \* = LL (LEAD LINED) OPTION (HANDED) LOCATION

**STANDARD HINGE SIZES & SCREW DETAIL**

NOMINAL DOOR HEIGHT		7'0"	8'0"	10'0"
ACTUAL HINGE LENGTH		83"	95"	120"
FRAME	12-24 x 3/4" PHILLIPS FLAT HEAD, UNDERCUT, SELF DRILLING, THREAD FORMING TEK MACHINE SCREW	24	28	32
DOOR	12-24 x 3/4" PHILLIPS FLAT HEAD, UNDERCUT, SELF DRILLING, THREAD FORMING TEK MACHINE SCREW	24	28	32

A260HD-EA OPTION, EASY ACCESS, CONCEALED ELECTRIFICATION-1-04.DWG

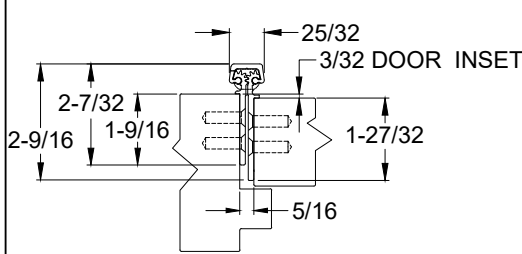
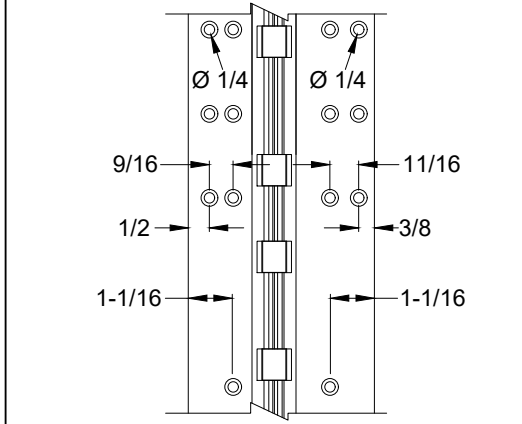


[www.abhmfg.com](http://www.abhmfg.com)  
 E-mail: [abhinfo@abhmfg.com](mailto:abhinfo@abhmfg.com)  
 Architectural Builders Hardware Mfg., Inc.  
 1222 Ardmore Ave., Itasca, IL 60143  
 630.875.9900; FAX 800.9FAXABH (932.9224)

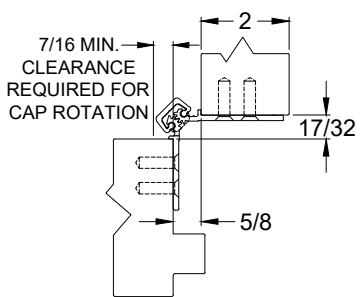
**A260HD/LL - "EA" OPTION, EASY ACCESS CONCEALED ELECTRIFICATION**

© 2023 ABH Mfg., Inc. printed in USA

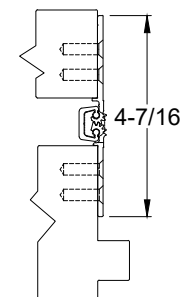
**A260HD/LL - "EA" OPTION, EASY ACCESS, CONCEALED ELECTRIFICATION, FULL CONCEALED, ALUMINUM GEARED HINGE**



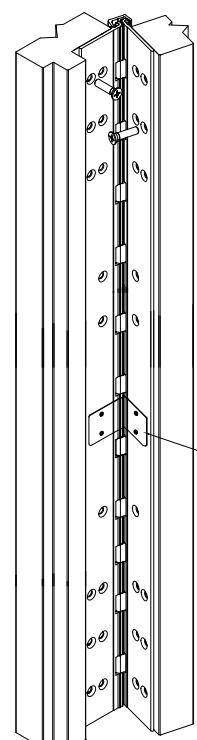
**CLOSED POSITION**



**90° OPENING**



**180° OPENING**



#6 SPANNER FLAT HEAD SECURITY SCREW PROVIDED STANDARD (4 PLACES)

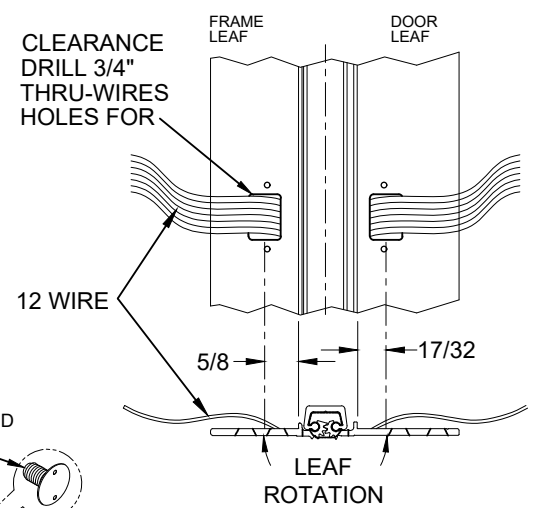
**ISOMETRIC VIEW  
180° OPENING**

**ISOMETRIC VIEW  
~90° OPENING**

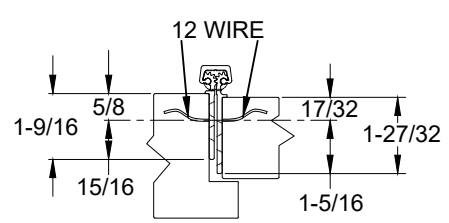
**NOTES:**

1. MOLEX  CONNECTOR OPTION AVAILABLE - SUFFIX "EZ".

\* SPECIFY ELECTRIFIED HARDWARE MANUFACTURER FOR CONNECTOR COMPABILITY

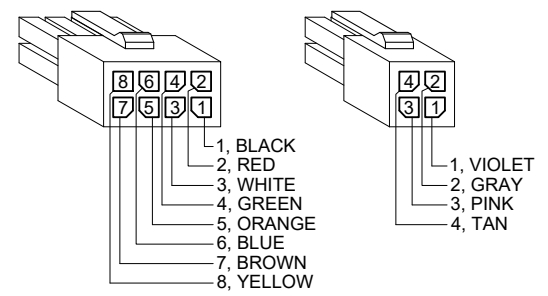


**WIRE TRANSFER VIEW**



**WIRE TRANSFER VIEW**

**EZ CONNECT OPTION**



**SPECIFICATION:**

**DESCRIPTION:** SINGLE CONDUCTOR #22 AWG MINIATURE HOOK-UP WIRE FOR APPLICATIONS REQUIRING EXTREME FLEXIBILITY.

**CONDUCTOR:** #22 AWG 168/44 (0.002") SOFT BARE COPPER LHL.

**INSULATION:** PROPRIETARY FORMULATION PVC 0.010" NOM. WALL MEETS VW-1 FLAME REQUIREMENT.

**DIAMETER:** 0.053" ± 0.003".

**RESISTANCE:** 16.7 OHMS MAX. @ 20°C, PER 1000 FT.

**VOLTAGE RATING:** 600 VOLTS RMS, DEPENDING ON SPECIFICATION.

**AVAILABLE AS RoHS COMPLIANT.**

A260HD-EA OPTION, EASY ACCESS, CONCEALED ELECTRIFICATION-2-04.DWG



www.abhmfg.com  
E-mail: abhinfo@abhmfg.com  
Architectural Builders Hardware Mfg., Inc.  
1222 Ardmore Ave., Itasca, IL 60143  
630.875.9900; FAX 800.9FAXABH (932.9224)

**A260HD/LL - "EA" OPTION, EASY ACCESS  
CONCEALED ELECTRIFICATION**

© 2023 ABH Mfg., Inc.  
printed in USA

PAGE 1 OF 2  
REVISED 06-06-23