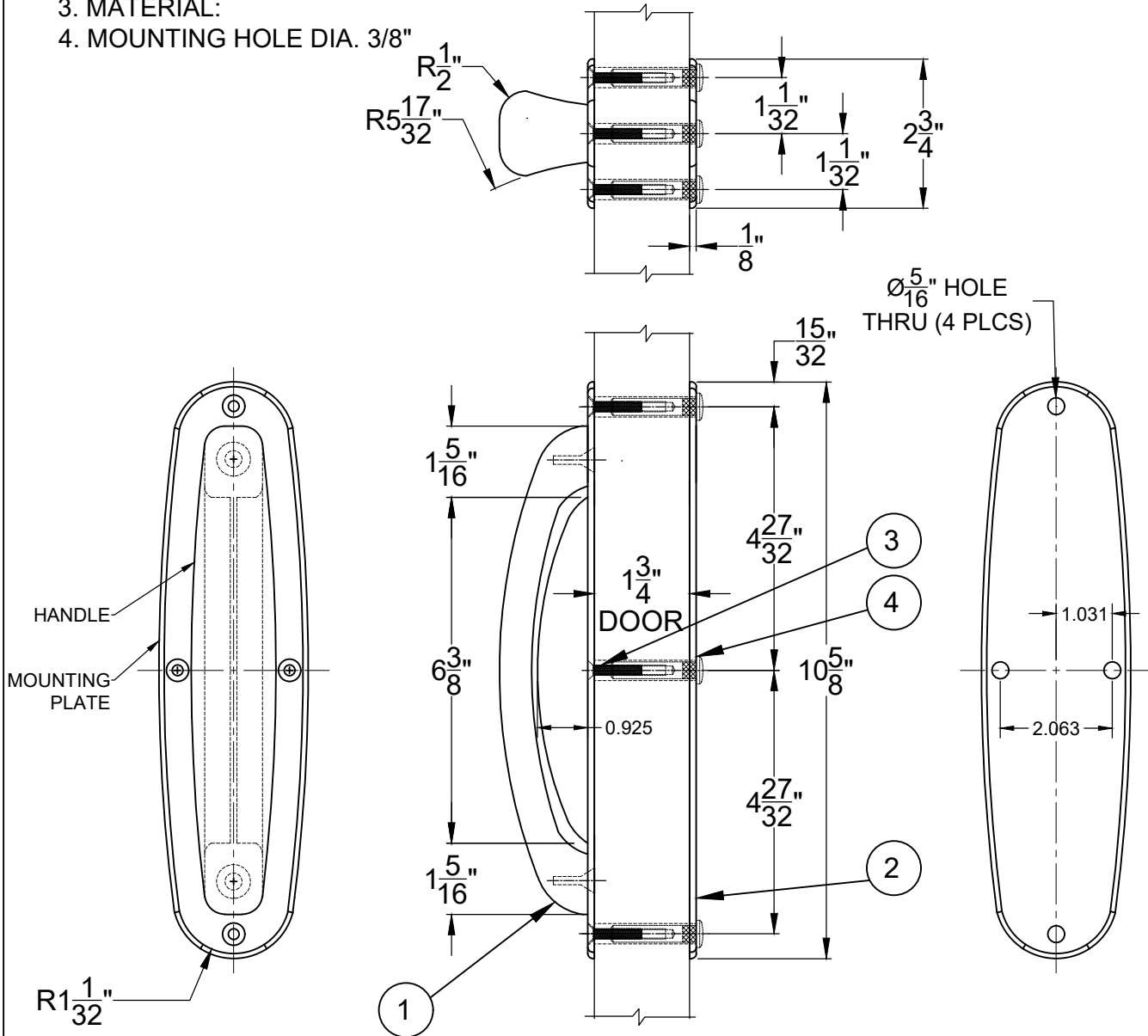


# 1930P PULL W/PUSH PLATE

## NOTES:

1. ALL DIMENSIONS ARE IN INCHES.
2. DO NOT SCALE DRAWING.
3. MATERIAL:
4. MOUNTING HOLE DIA. 3/8"



1930 PULL W/ PUSH PLATE

ITEM	QTY.	DESCRIPTION
1	1	1930 PULL HANDLE
2	1	1930 PUSH PLATE
3	4	10-32x1" PH. FLAT HEAD M.S., S.S.
4	4	10-32x1-5/8" SEX BOLT, ZINC PLATED

1930 PULL HANDLE-01.DWG



www.abhmfg.com  
 E-mail: abhinfo@abhmfg.com  
 Architectural Builders Hardware Mfg., Inc.  
 1222 Ardmore Ave., Itasca, IL 60143  
 630.875.9900; FAX 800.9FAXABH (932.9224)

## 1930P PULL HANDLE

© 2022 ABH Mfg., Inc.  
 printed in USA