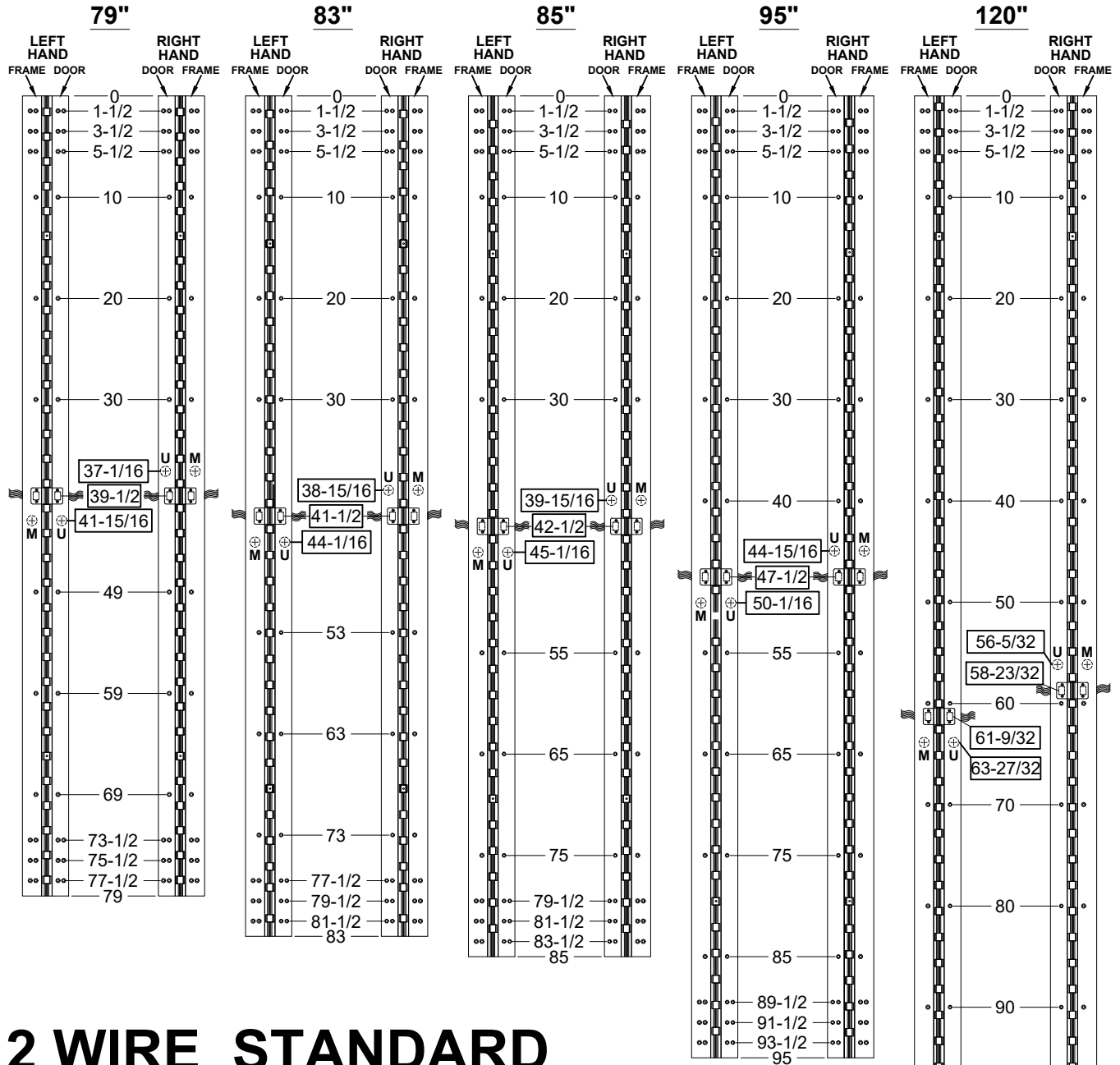


A111HD - "EA" OPTION, EASY ACCESS CONCEALED ELECTRIFICATION WITH "EM" OPTION

FULL CONCEALED, ALUMINUM GEARED HINGE



12 WIRE STANDARD

M = MONITOR SWITCH SIDE
U = MAGNET SIDE



STANDARD HINGE SIZES & SCREW DETAIL

		6'8"	7'0"	7'2"	8'0"	10'0"
NOMINAL DOOR HEIGHT		6'8"	7'0"	7'2"	8'0"	10'0"
ACTUAL HINGE LENGTH		79"	83"	85"	95"	120"
FRAME	12-24 x 3/4" PHILLIPS FLAT HEAD, UNDERCUT, SELF DRILLING, THREAD FORMING TEK MACHINE SCREW	19	19	19	21	23
DOOR	12-24 x 3/4" PHILLIPS FLAT HEAD, UNDERCUT, SELF DRILLING, THREAD FORMING TEK MACHINE SCREW	19	19	19	21	23

A111HD-EA-EM OPTION, CONCEALED ELECTRIFICATION-1-00

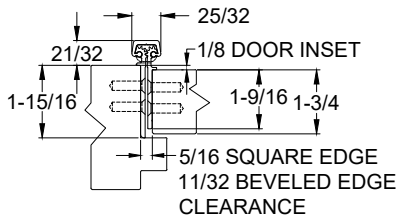
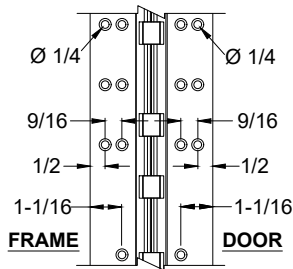


www.abhmf.com
E-mail: abhinfo@abhmf.com
Architectural Builders Hardware Mfg., Inc.
1222 Ardmore Ave., Itasca, IL 60143
630.875.9900; FAX 800.9FAXABH (932.9224)

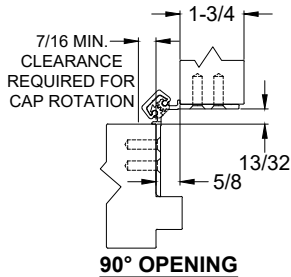
A111HD - "EA" OPTION EASY ACCESS CONCEALED ELECTRIFICATION W/ EM

© 2023 ABH Mfg., Inc. printed in USA
PAGE 1 OF 2
ISSUED 03-30-23

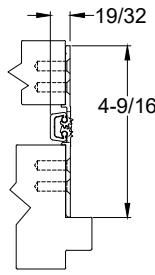
**A111HD - "EA" OPTION, EASY ACCESS CONCEALED ELECTRIFICATION WITH "EM" OPTION
FULL CONCEALED, ALUMINUM GEARED HINGE**



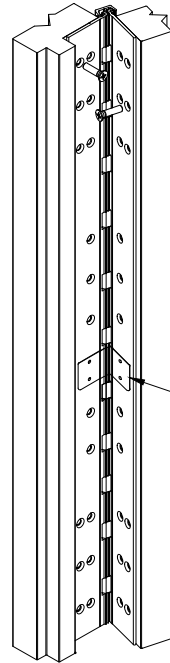
CLOSED POSITION



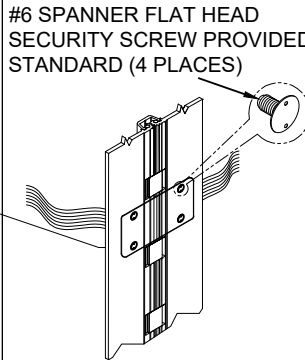
90° OPENING



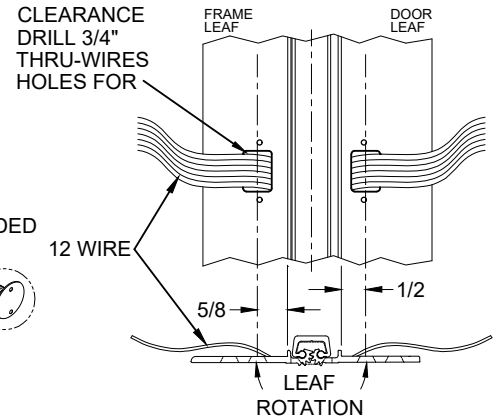
180° OPENING



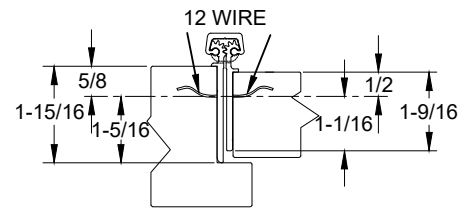
**ISOMETRIC VIEW
~90° OPENING**



**ISOMETRIC VIEW
180° OPENING**

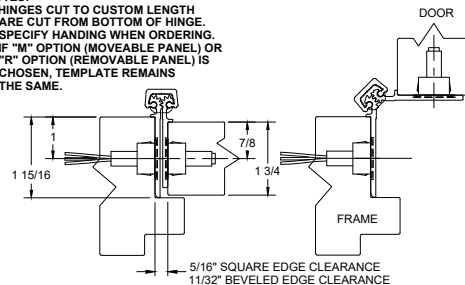


WIRE TRANSFER VIEW



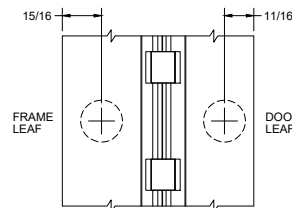
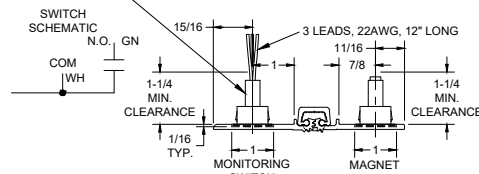
WIRE TRANSFER VIEW

- NOTES:**
- HINGES CUT TO CUSTOM LENGTH ARE CUT FROM BOTTOM OF HINGE.
 - SPECIFY HANDING WHEN ORDERING.
 - IF "M" OPTION (MOVEABLE PANEL) OR "R" OPTION (REMOVABLE PANEL) IS CHOSEN, TEMPLATE REMAINS THE SAME.



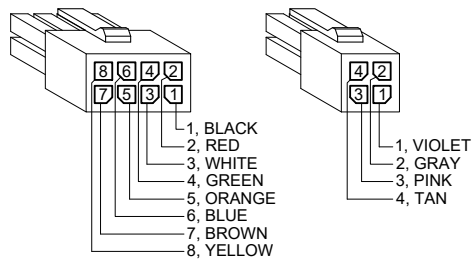
**MAGNETIC MONITOR SWITCH VIEW,
LEFT HAND SHOWN**

- NOTE:** 7/8" DIA. MIN. CLEARANCE HOLE REQUIRED IN DOOR & FRAME FOR MONITORING SWITCH AND MAGNET
- ELECTRICAL CONFIG.:** SPDT
MAX. INTIAL CONTACT RESISTANCE: 0.140 OHM
MAX. CONTACT RATING: 5 WATT
MAX. SWITCHING VOLTAGE: 175 VDC
MAX. SWITCHING CURRENT: 0.25 AMP



MAGNETIC MONITOR SWITCH VIEW

EZ CONNECT OPTION



SPECIFICATION:

- DESCRIPTION:** SINGLE CONDUCTOR #22 AWG MINIATURE HOOK-UP WIRE FOR APPLICATIONS REQUIRING EXTREME FLEXIBILITY.
- CONDUCTOR:** #22 AWG 168/44 (0.002") SOFT BARE COPPER LHL.
- INSULATION:** PROPRIETARY FORMULATION PVC 0.010" NOM. WALL MEETS VW-1 FLAME REQUIREMENT.
- DIAMETER:** 0.053" ± 0.003".
- RESISTANCE:** 16.7 OHMS MAX. @ 20°C, PER 1000 FT.
- VOLTAGE RATING:** 600 VOLTS RMS, DEPENDING ON SPECIFICATION.
- AVAILABLE AS RoHS COMPLIANT.**

A111HD-EA-EM OPTION, CONCEALED ELECTRIFICATION-1-00

**A111HD - "EA" OPTION EASY
ACCESS CONCEALED
ELECTRIFICATION W/ EM**

PAGE 2 OF 2
© 2023 ABH Mfg., Inc. printed in USA
ISSUED 03-30-23



www.abhmf.com
E-mail: abhinfo@abhmf.com
Architectural Builders Hardware Mfg., Inc.
1222 Ardmore Ave., Itasca, IL 60143
630.875.9900; FAX 800.9FAXABH (932.9224)