

# A5500 FULL CONCEALED HINGE INSTALLATION INSTRUCTIONS

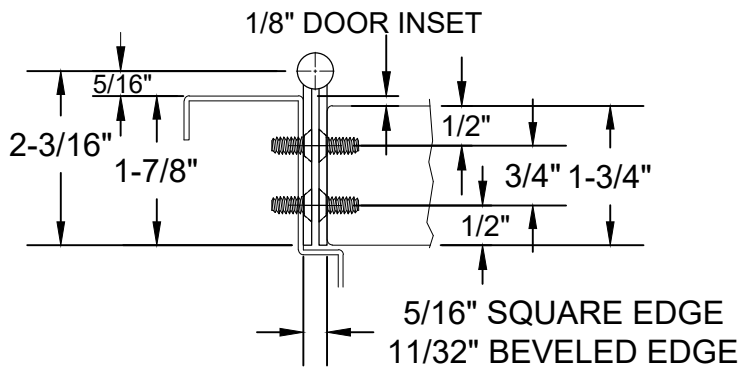
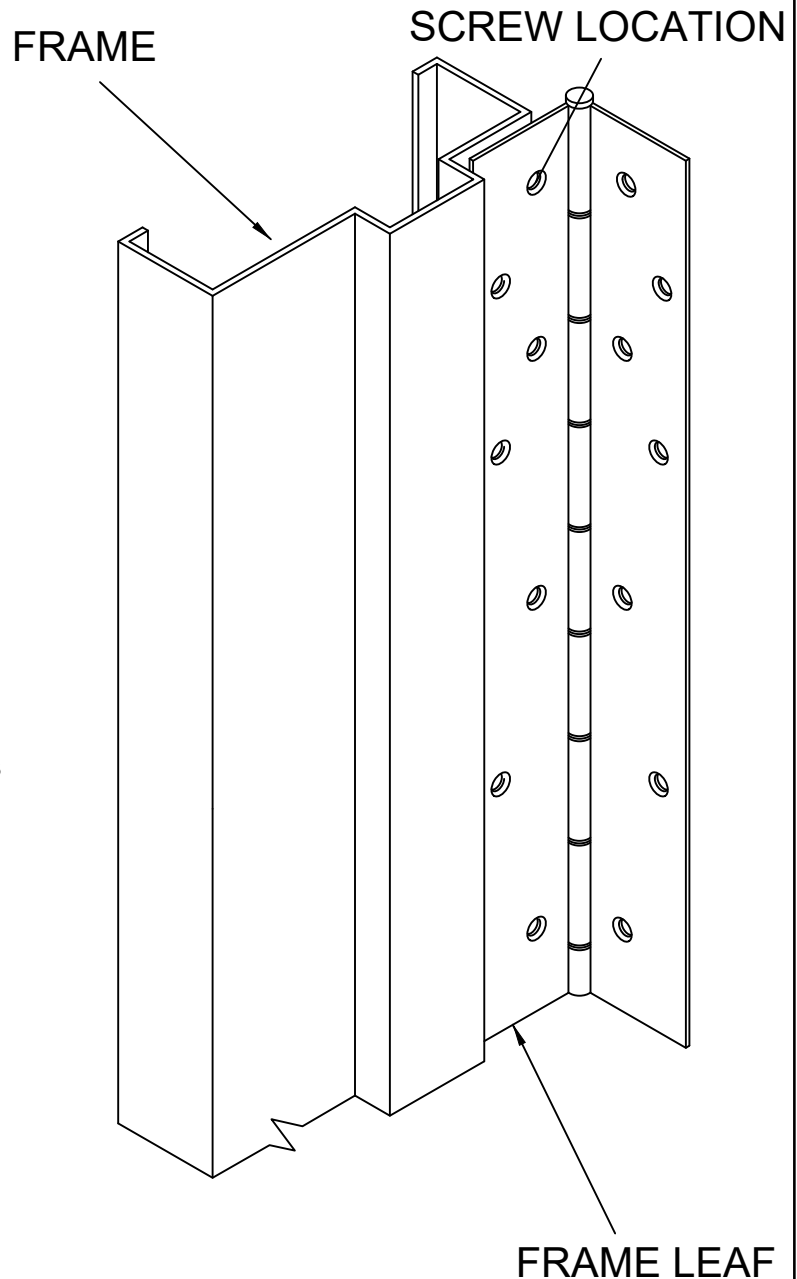


FIG. 1

FIG. 2



## FRAME PREPARATION:

1. Place hinge on the frame as shown in Fig. 2 allowing 1/8" between top of hinge and underside of header. Allow 1/16" minimum clearance between hinge and stop (see Fig. 1).
2. Mark and center punch all the screw locations on the frame with the hinge held firmly in place (FIG. 2).
3. Remove hinge and prepare to drill frame.
4. Drill all the holes:  
**Hollow Metal Frame:** Use a #16 drill bit. If Frame is reinforced, thread the holes for a 12-24 tap.

**DO NOT INSTALL HINGE TO FRAME AT THIS TIME**

**SEE OPPOSITE SIDE FOR DOOR SIDE INSTALLATION**

# A5500 FULL CONCEALED HINGE INSTALLATION INSTRUCTIONS

## DOOR PREPARATION:

1. Place the hinge on the edge of the door.  
Carefully line up the top of the hinge with the top and back edges of the door.
2. Mark and center punch all the screw locations on the door with the hinge held firmly in place (FIG. 3)
3. Drill all the holes:  
**Hollow Metal Door:** Use a #16 bit. If door is reinforced, thread the holes for a 12-24 tap.

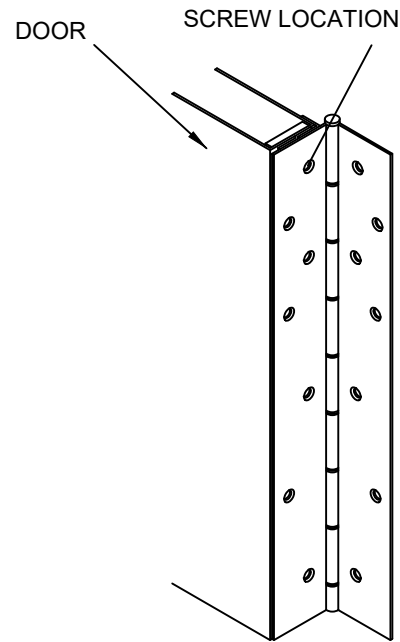


FIG. 3

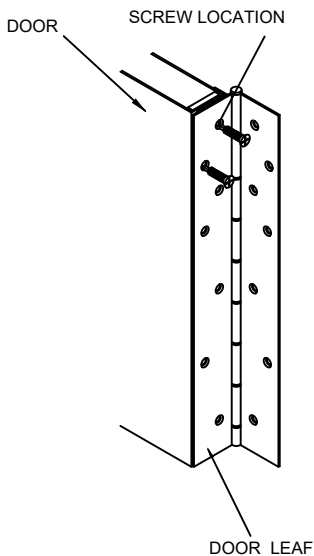


FIG. 4

## HINGE INSTALLATION:

1. **Attach Hinge to Door (FIG. 4):**  
**Metal Door:** Use 12-24 x 1/2" Phillips Flat Head, Undercut Machine Screw
2. **Attach Hinge to Frame (FIG. 5):**  
**Metal Frame:** Use 12-24 x 1/2" Phillips Flat Head, Undercut Machine Screw

**Hospital tips on hinges should be mounted at the top of the door.**

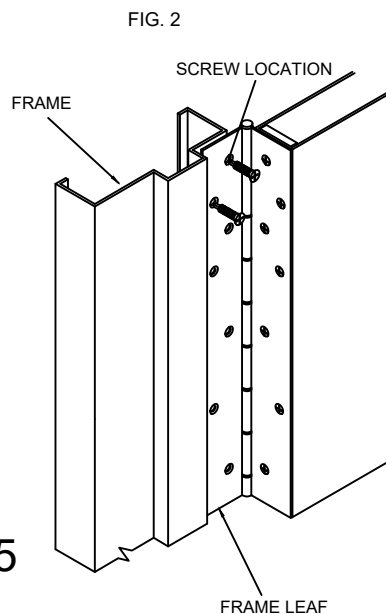


FIG. 5

**ALL HOLES IN THE DOORS AND FRAMES MUST BE DRILLED CORRECTLY AND FASTENERS PROPERLY INSTALLED. FAILURE TO USE THE FASTENERS SUPPLIED WILL VOID THE UL FIRE RATED LISTING.**