

## SCR4550 Special Double-Lipped Strike & Rescue Stop Combo Center Hung for Cylindrical Latch

Innovation, Quality,  
Customer Service...

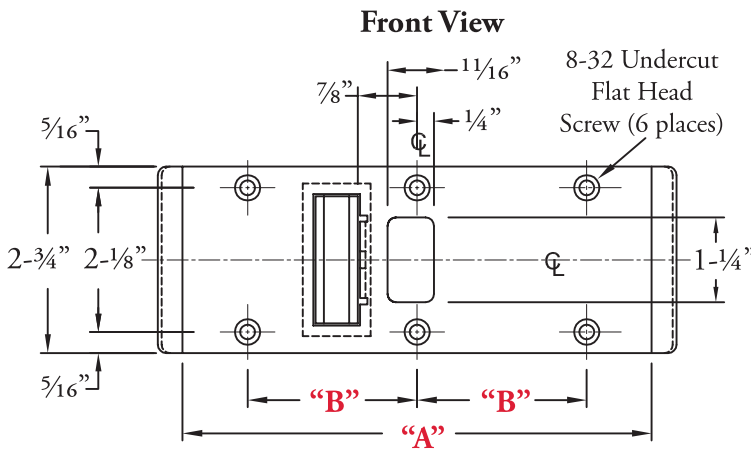
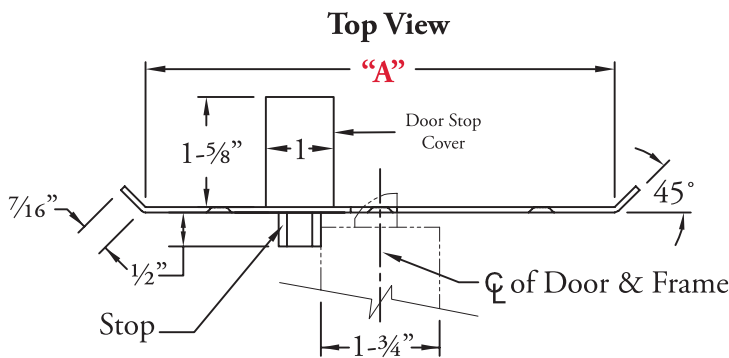
The sizing chart on the right lists custom layout numbers for all frame sizes from 5-1/4" to 9" for:

- Center hung door
- Cylindrical latch application

ABH has the capability to custom manufacture thousands of different custom double-lipped strike and rescue stop combos to fit nearly every application.

Please contact us if you need to match existing preps or if additional customizations are required and we will gladly assist.

How to Order			
Example SCR4550 x US32D x SP-CR506			
Part Number	Finish	Custom Layout Number	Quantity
SCR4550			
SCR4550			



Custom Layout Number	Frame Size	Center to Center Mounting Holes
	"A"	"B"
SP-CR506	5-1/4"	1-7/8"
SP-CR507	5-3/8"	1-7/8"
SP-CR508	5-1/2"	1-7/8"
SP-CR509	5-5/8"	1-7/8"
CR4550	5-3/4"	1-7/8"
SP-CR510	5-7/8"	2-3/8"
SP-CR511	6"	2-3/8"
SP-CR512	6-1/8"	2-3/8"
SP-CR513	6-1/4"	2-3/8"
SP-CR514	6-3/8"	2-3/8"
SP-CR515	6-1/2"	2-3/8"
SP-CR516	6-5/8"	2-3/8"
CR4560	6-3/4"	2-3/8"
SP-CR517	6-7/8"	2-3/8"
SP-CR518	7"	2-3/8"
SP-CR519	7-1/8"	2-3/8"
SP-CR520	7-1/4"	2-3/8"
SP-CR521	7-3/8"	2-3/8"
SP-CR522	7-1/2"	2-3/8"
SP-CR523	7-5/8"	2-3/8"
SP-CR524	7-3/4"	2-3/8"
SP-CR525	7-7/8"	2-7/8"
SP-CR526	8"	2-7/8"
SP-CR527	8-1/8"	2-7/8"
SP-CR528	8-1/4"	2-7/8"
SP-CR529	8-3/8"	2-7/8"
SP-CR530	8-1/2"	2-7/8"
SP-CR531	8-5/8"	2-7/8"
SP-CR532	8-3/4"	2-7/8"
SP-CR533	8-7/8"	2-7/8"
SP-CR534	9"	2-7/8"

