

# Cam Lift Full Mortise Hinges

Mortise-type Cam Hinges for use with sound-insulating doors utilizing acoustical seals. The cam action improves the sealing characteristics along the door perimeter, lifting and lowering the door with the swing.

Available for right or left-hand swinging doors. Cam Lift Hinges will not bind door closures when doors are hung within accepted industry standards. (Tested with LCN 4041 Series original).

**Finish:** STST630 (US32D)

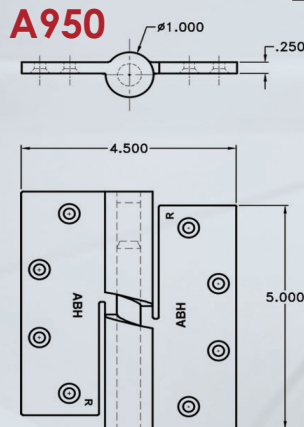
Part #	Door Rating (1½ Pairs)	Screw Size (Metal Doors)	Lift (180° Opening)
A955	Up to 200 lbs.	12 - 24" x ¾" UC	⅜"
A953	Up to 300 lbs.	12 - 24" x ¾"	¼"
A950	Up to 500 lbs.	12 - 24" x ¾"	⅝"
A9500	Up to 900 lbs.	5/16 - 18" x ¾"	⅝"



<b>Hinge:</b>	Stainless Steel US304
<b>Pin:</b>	Stainless Steel 420 J2
<b>Type:</b>	Mortise/Handed - specify right or left handed
<b>Clearance:</b>	Minimum clearance at head of frame is ⅜". For doors greater than 1-¾" clearance is ¼"
<b>Finish:</b>	630 (US32D)
<b>Note:</b>	FOR A950 and A9500 screws must be engaged no less than .350" in ASTM A-36 steel reinforcement



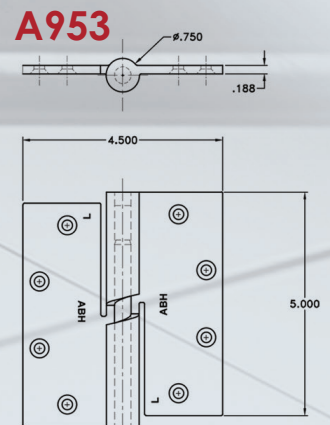
Z950 L



Finishes: STST  
Options: L -Left-Hand  
R- Right Hand



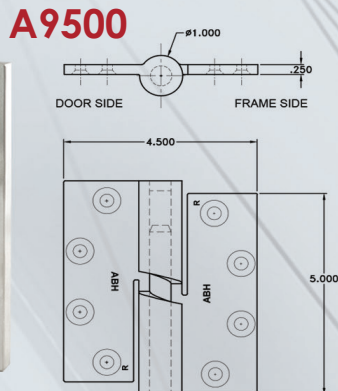
Z953 L



Finishes: STST  
Options: L -Left-Hand  
R- Right Hand



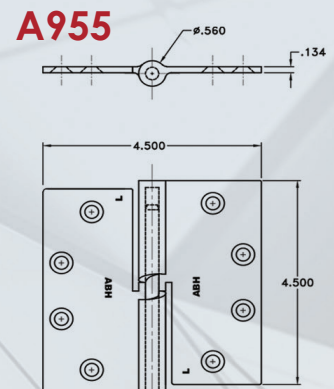
Z9500 L



Finishes: STST  
Options: L -Left-Hand  
R- Right Hand



Z955 L



Finishes: STST  
Options: L -Left-Hand  
R- Right Hand