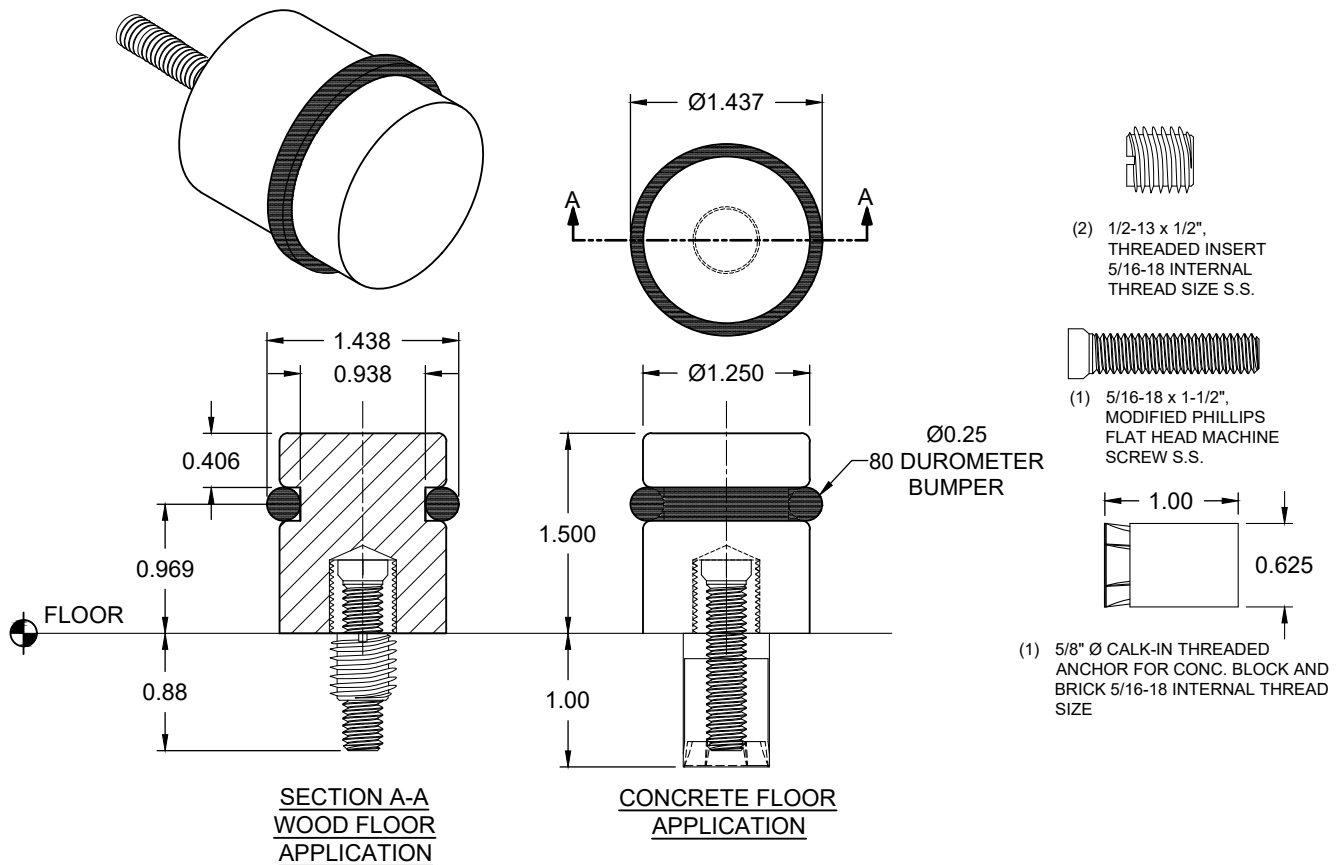


RM850 DOOR STOP



INSTALLATION IN WOOD FLOOR

1. Determine location of floor stop in floor.
2. Drill 5/16" wide x 1" deep hole for stop screw
3. In same location, drill 13/32" wide x 1/2" deep hole in floor for threaded insert.
4. Once drilled, clean out any dust or debris and drive threaded insert into drilled hole until flush with floor.
5. Insert the floor stop into the anchor until tight.

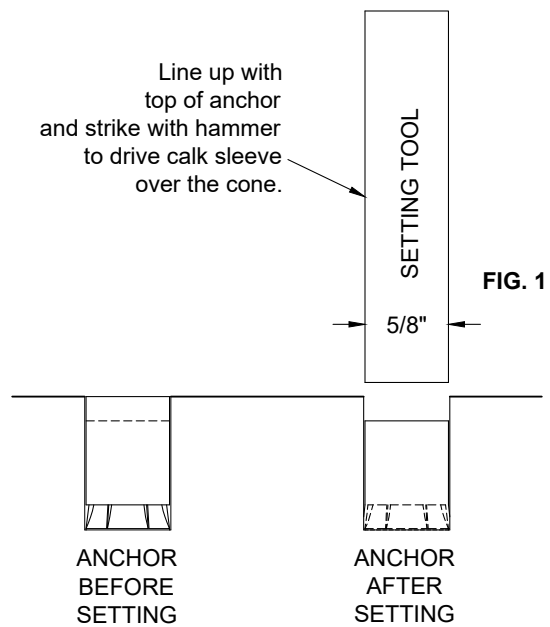
INSTALLATION IN CONCRETE, BLOCK AND BRICK

1. Determine location of floor stop in floor.
2. Drill 5/8" wide x 1" deep hole in floor.
3. Once drilled, clean out any dust or debris and insert provided Calk-In anchor, cone end first.
4. Using a setting tool, the same diameter of the anchor (5/8"), drive the lead sleeve over the cone, FIG. 1. This will cause the sleeve to expand and hold the anchor in place.
5. Insert the floor stop into the anchor until tight.

NOTE NOT FOR USE IN OVERHEAD APPLICATIONS

NOTE:

1. ALL DIMENSIONS ARE IN INCHES.
2. DO NOT SCALE DRAWING.
3. SCREWS:
 - 5/16-18 x 1-1/2" MACHINE SCREW
 - 1/2-13 x 1/2" THREADED INSERT
 - 5/8"Ø x 1" CALK-IN ANCHOR FOR CONCRETE.
4. MATERIAL:
 - STAINLESS STEEL
 - 80 DUROMETER BUMPER (AVAILABLE IN STANDARD GREY. BLACK-OPTIONAL)



ABH
MANUFACTURING INC.

www.abhmfg.com
E-mail: abhinfo@abhmfg.com
Architectural Builders Hardware Mfg., Inc.
1222 Ardmore Ave., Itasca, IL 60143
630.875.9900; FAX 800.9FAXABH (932.9224)

RM850 DOOR STOP

© 2022 ABH Mfg., Inc.
printed in USA

PAGE 1 OF 1
ISSUED 04-28-22

RM850 DOOR STOP-00.DWG