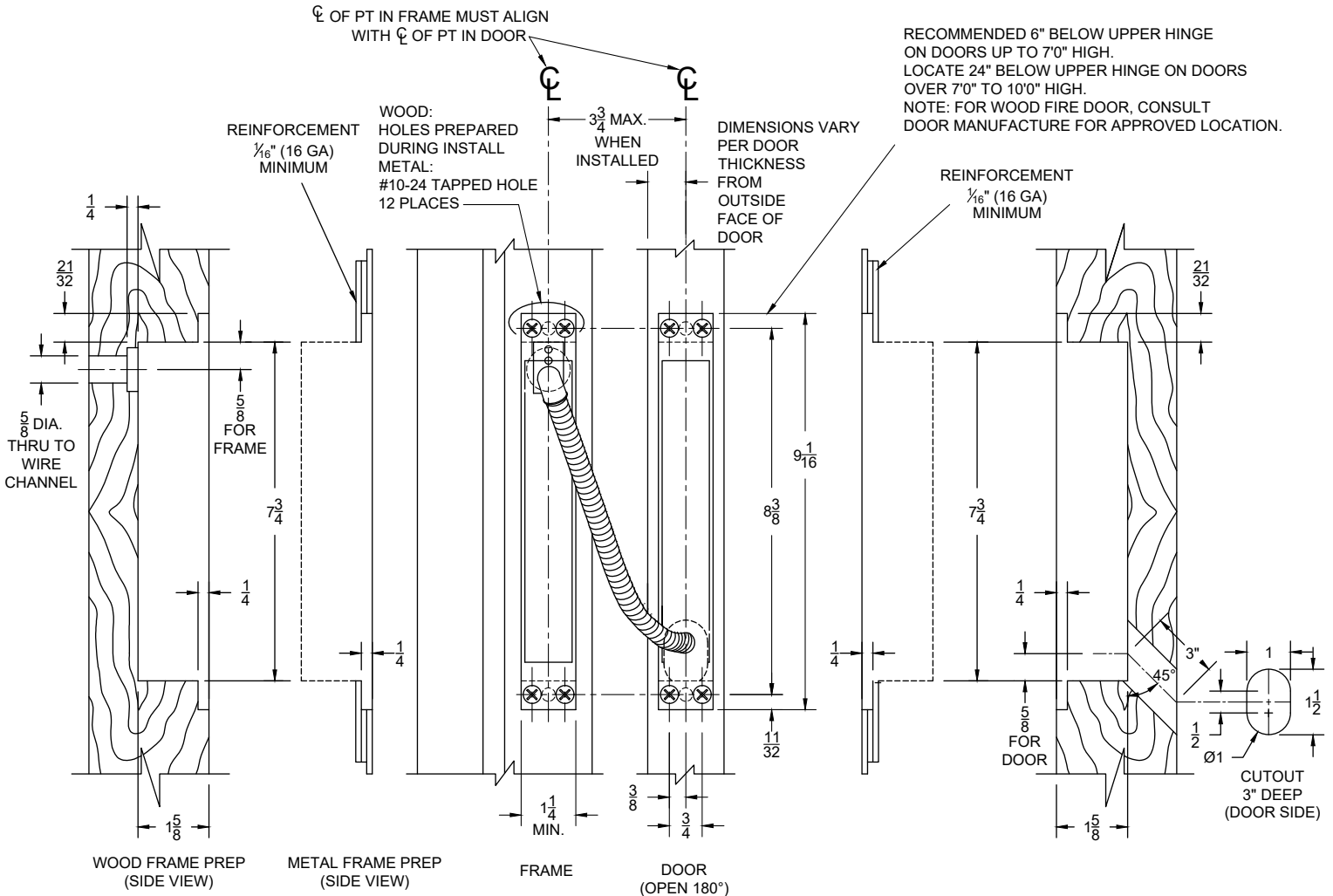


PT200SC, PT200SCEZ, PT1000SC, PT1000SCEZ, PT12000SCEZ POWER TRANSFER

FOR USE WITH:

- DOOR THICKNESS 1-3/4" TO 2-1/4"
- SWING CLEAR HINGES
- DOOR OPENING 90° TO 180°



ELECTRICAL RATINGS	
PT200SC	(2) 18 AWG WIRES-MAX. RATING 24VDC, 5A OR 120VAC NEC CLASS 3
PT200SCEZ* with Molex® Micro-Fit 3.0 Connectors	(2) 18 AWG WIRES-MAX. RATING 24VDC, 5A OR 120VAC NEC CLASS 3
PT1000SC	(10) 24 AWG WIRES-MAX. RATING 24VDC, 1A
PT1000SCEZ* with Molex® Micro-Fit 3.0 Connectors	(12) 24 AWG WIRES-MAX. RATING 24VDC, 1A
PT1200SCEZ* with Molex® Mini-Fit Jr. Connectors	(10) 24 AWG WIRES-MAX. RATING 24VDC, 1A, (2) 18 AWG WIRES-MAX. RATING 24VDC, 5A OR 120VAC NEC CLASS 3

* EZ INDICATES MODEL WITH ABH EZ CONNECT WIRE CONNECTORS

© BRAND NAMES ARE TRADEMARKS OR REGISTERED TRADEMARKS OF THEIR RESPECTIVE COMPANIES



www.abhmfg.com
E-mail: abhinfo@abhmfg.com
Architectural Builders Hardware Mfg., Inc.
1222 Ardmore Ave., Itasca, IL 60143
630.875.9900; FAX 800.9FAXABH (932.9224)

© 2022 ABH Mfg., Inc.
printed in USA

PT200SC & PT1000SC-02.DWG

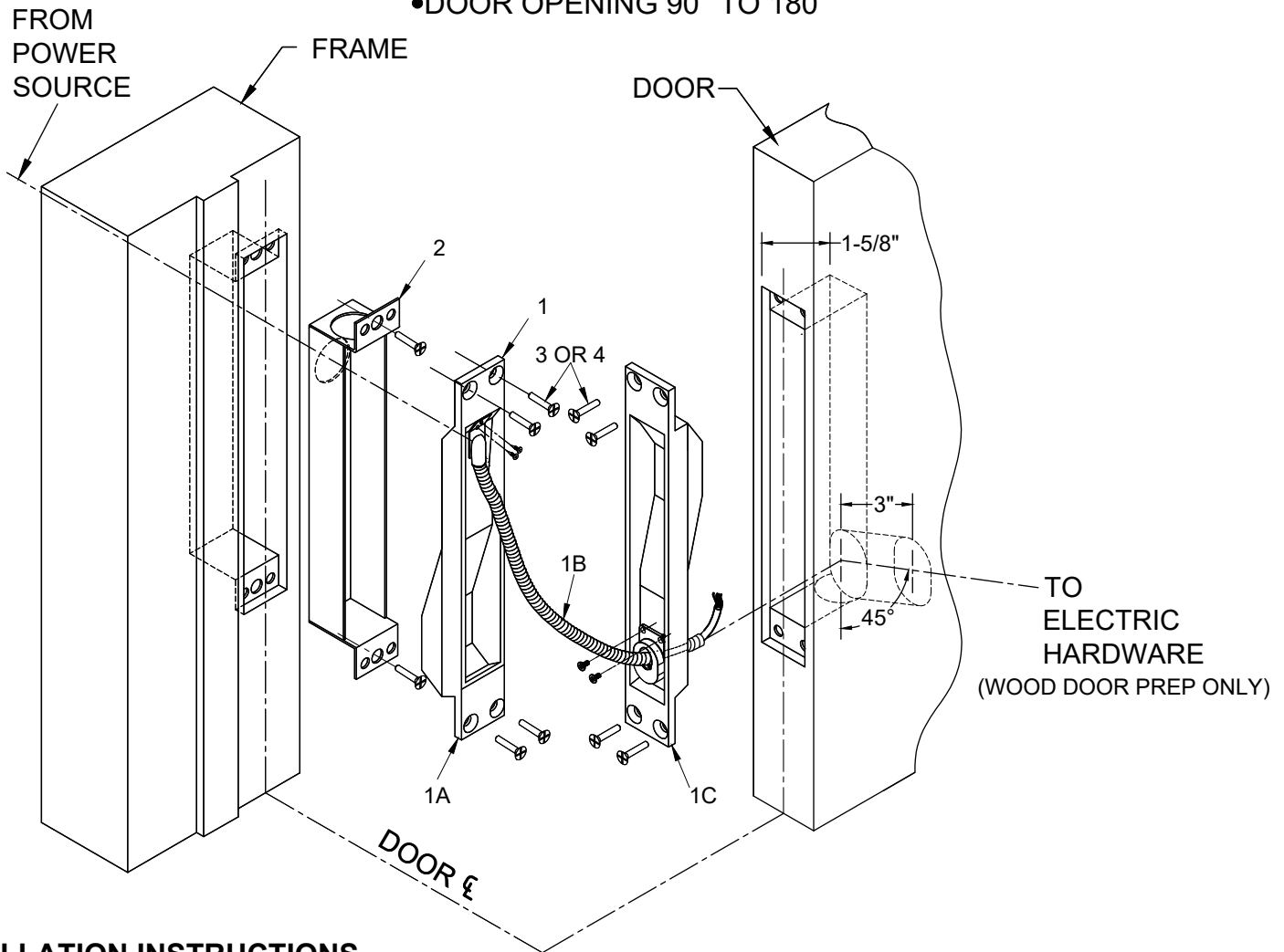
PT200SC, PT200SCEZ, PT1000SC,
PT1000SCEZ, PT1200EZ

PAGE 1 OF 2
REVISED 04-29-22

PT200SC, PT200SCEZ, PT1000SC, PT1000SCEZ, PT12000SCEZ POWER TRANSFER

FOR USE WITH:

- DOOR THICKNESS 1-3/4" TO 2-1/4"
- SWING CLEAR HINGES
- DOOR OPENING 90° TO 180°



INSTALLATION INSTRUCTIONS

1. PREP DOOR AND FRAME FOR CUTOUT & REINFORCEMENT, ACCORDING TO THE TEMPLATE ON PAGE 2 (REVERSE SIDE).
2. INSTALL FRAME SIDE BACK BOX (ITEM #2) INTO FRAME PREP.
3. CONNECT WIRES FROM POWER SOURCE AND ELECTRIFIED DOOR HARDWARE TO THE POWER TRANSFER.
4. INSTALL PT1000SC UNIT (ITEM #1) INTO DOOR AND FRAME PREP AND FASTEN USING #10-24 X 3/4" MACHINE SCREWS (ITEM #3), FOR METAL DOORS OR #10 X 3/4" SHEET METAL SCREWS (ITEM #4) FOR WOOD DOORS.
5. FRAME AND DOOR PORTION MUST BE INSTALLED IN THE DIRECTION SHOWN ABOVE.

PT200SC & PT1000SC-02.DWG