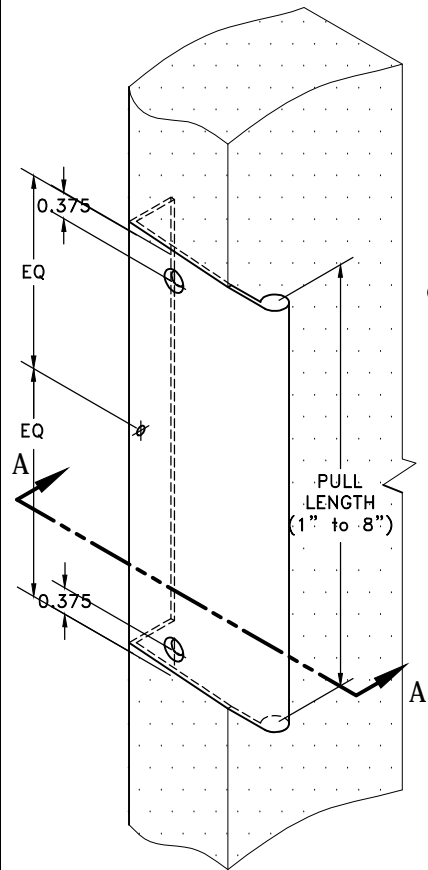
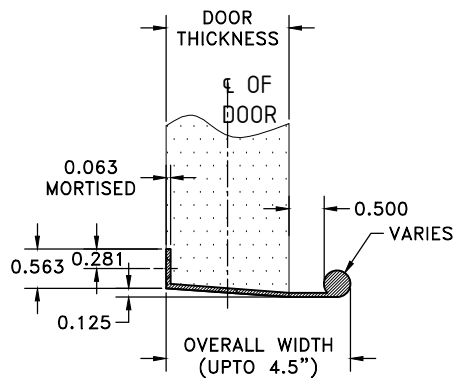


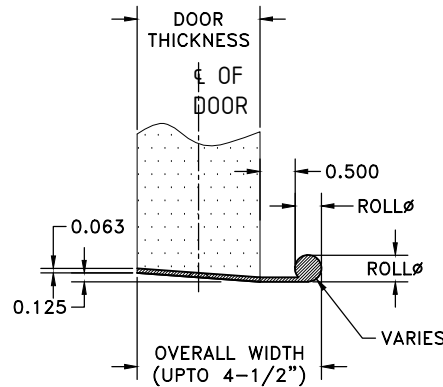
# BEVELED EDGE PULL HANDLE - MORTISED



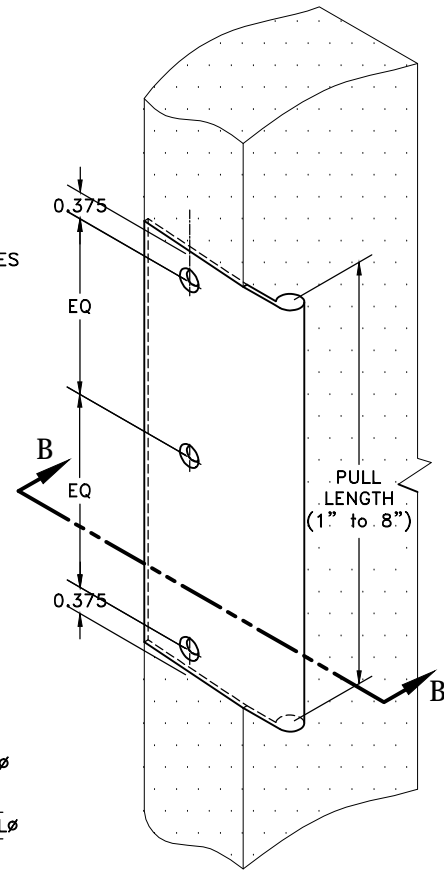
B18200  
B18200-250  
B18200-313  
B18200-375  
B18200-500



SECTION-AA  
(SIDE SCREW HOLE)



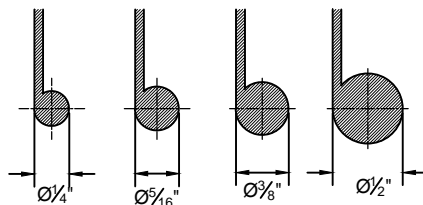
SECTION-BB



B18300  
B18300-250  
B18300-313  
B18300-375  
B18300-500

**NOTE:**

1. ALL DIMENSIONS ARE IN INCHES
2. DO NOT SCALE DRAWING
3. MATERIAL : S.S. 0.0625 THICK.
4. SCREW : #6 x 5/8"



B18200/B18300 EDGE PULL.DWG



www.abhmfg.com  
E-mail: abhinfo@abhmfg.com  
Architectural Builders Hardware Mfg., Inc.  
1222 Ardmore Ave., Itasca, IL 60143  
630.875.9900; FAX 800.9FAXABH (932.9224)

© 2018 ABH Mfg., Inc.  
printed in USA

B18200/B18300  
BEVELED EDGE PULL

ISSUED 10-30-18