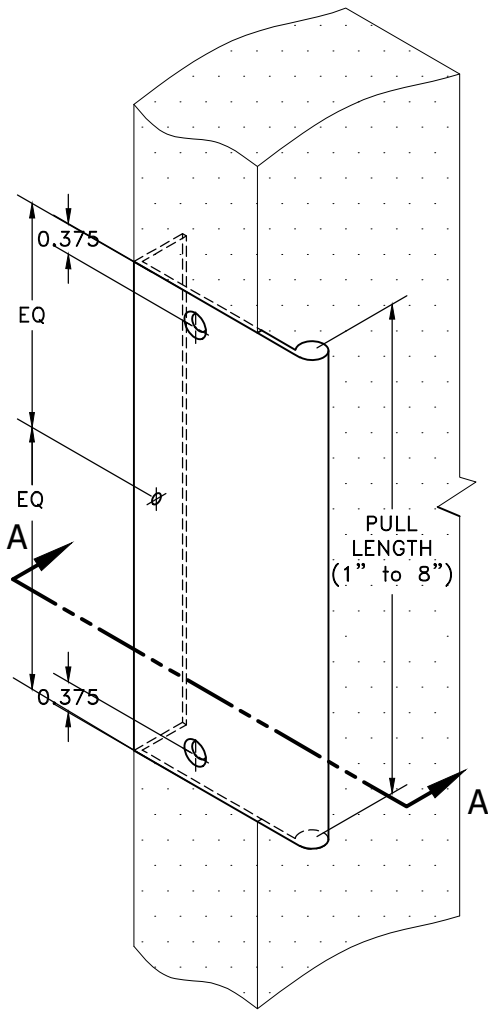
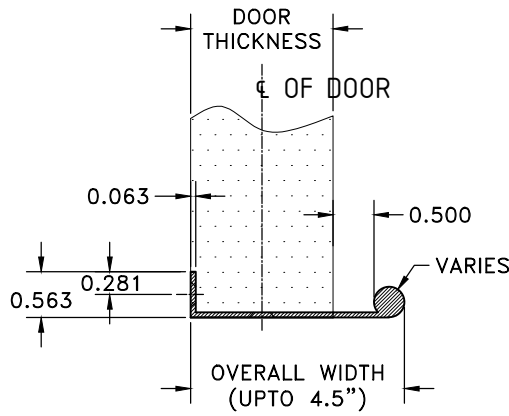


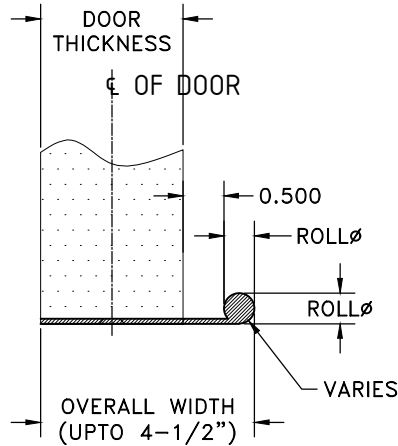
EDGE PULL HANDLE - MORTISED



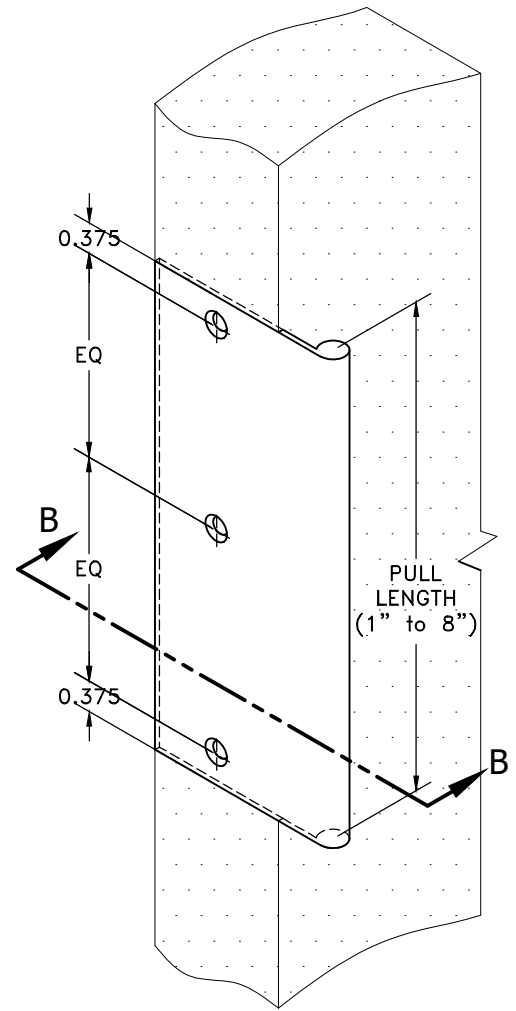
18200
 18200-250
 18200-313
 18200-375
 18200-500



SECTION-AA
 (SIDE SCREW HOLE)



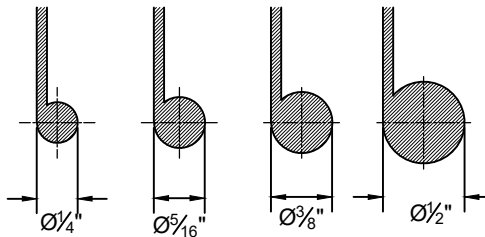
SECTION-BB



18300
 18300-250
 18300-313
 18300-375
 18300-500

NOTE:

1. ALL DIMENSIONS ARE IN INCHES
2. DO NOT SCALE DRAWING
3. MATERIAL : S.S. 0.0625 THICK.
4. SCREW : #6 x 5/8"



18200/18300 EDGE PULL.DWG



www.abhmfg.com
 E-mail: abhinfo@abhmfg.com
 Architectural Builders Hardware Mfg., Inc.
 1222 Ardmore Ave., Itasca, IL 60143
 630.875.9900; FAX 800.9FAXABH (932.9224)

© 2018 ABH Mfg., Inc.
 printed in USA

18200/18300
EDGE PULL

ISSUED 10-30-18