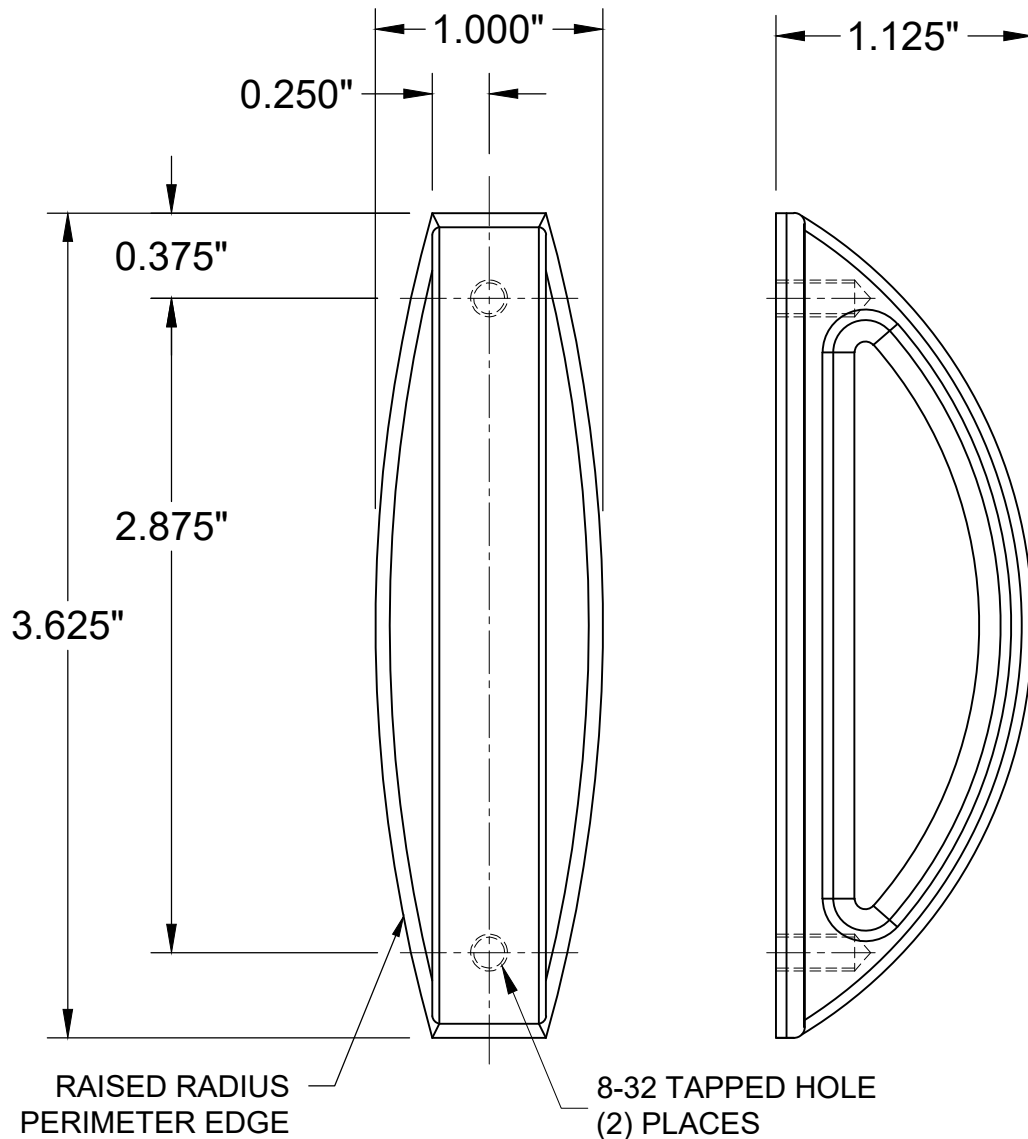


# 1931 CABINET PULL



## NOTES:

1. ALL DIMENSIONS ARE IN INCHES
2. DO NOT SCALE DRAWING
3. 3-5/8" LONG
4. 1-1/8" PROJECTION FROM FACE OF THE CABINET
5. SLOPED TO ELIMINATE LIGATURE POINTS
6. THRU-BOLTED FOR MAXIMUM STABILITY
7. FOR 3/4" THICK DOOR.
8. (2) 8-32x1" PHILLIPS TRUSS HEAD MACHINE SCREW, S.S.

**ABH**  
MANUFACTURING INC.

www.abhmfg.com  
E-mail: abhinfo@abhmfg.com  
Architectural Builders Hardware Mfg., Inc.  
1222 Ardmore Ave., Itasca, IL 60143  
630.875.9900; FAX 800.9FAXABH (932.9224)

© 2021 ABH Mfg., Inc.  
printed in USA

1931 CABINET PULL-01.DWG

1931

PAGE 1 OF 1  
ISSUED 02/08/21