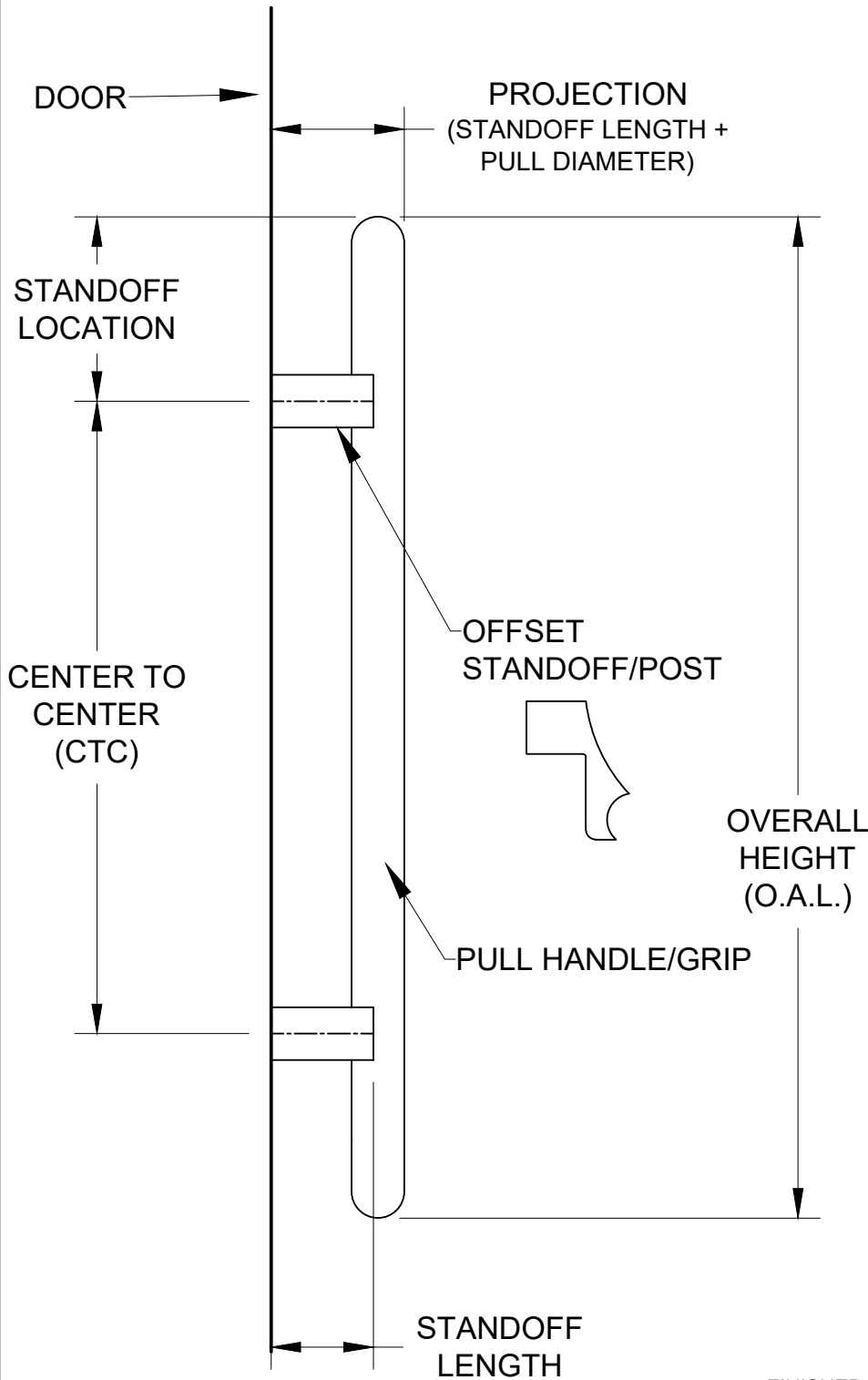


OFFSET, ROUND END PULL HANDLE

AB3330 (Ø1), AB3331 (Ø1-1/4"), AB3332(Ø1-1/2")



STANDOFF LOCATION

STANDARD

(TOP OF PULL TO C/L OF STANDOFF)

12" - 36" (2 Standoffs) = 3"

37" - 72" (2 Standoffs) = 6"

73" - 96" (3 Standoffs) = 3"
(THIRD STANDOFF CENTERED IN HEIGHT)

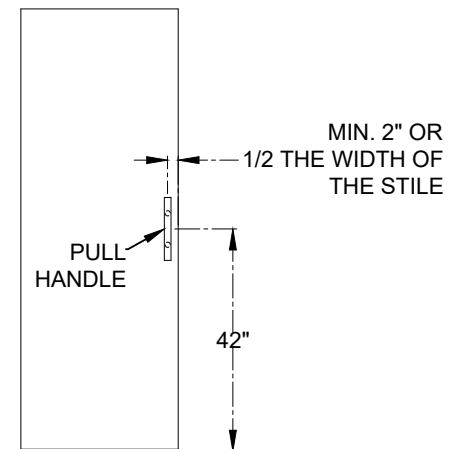
CUSTOM LOCATIONS AVAILABLE.
CONTACT FACTORY.

STANDARD

OAL*	CTC*	STANDOFF LENGTH*
12"	6"	1-3/4"
24"	18"	1-3/4"
36"	30"	1-3/4"
48"	36"	1-3/4"
60"	48"	1-3/4"
72"	60"	1-3/4"
84"	78"	1-3/4"
96"	90"	1-3/4"

*CUSTOM PULL AND STANDOFF LENGTHS AVAILABLE.
CONTACT FACTORY.

RECOMMENDED PULL LOCATION ON DOOR



- NOTES:
1. ALL DIMENSIONS ARE IN INCHES.
2. DO NOT SCALE DRAWING.
3. MATERIAL: STAINLESS STEEL

ABH
MANUFACTURING INC.

www.abhmfg.com
E-mail: abhinfo@abhmfg.com
Architectural Builders Hardware Mfg., Inc.
1222 Ardmore Ave., Itasca, IL 60143
630.875.9900; FAX 800.9FAXABH (932.9224)

© 2022 ABH Mfg., Inc.
printed in USA

AB3330
PULL HANDLE
PAGE 1 OF 2
ISSUED 4-14-22

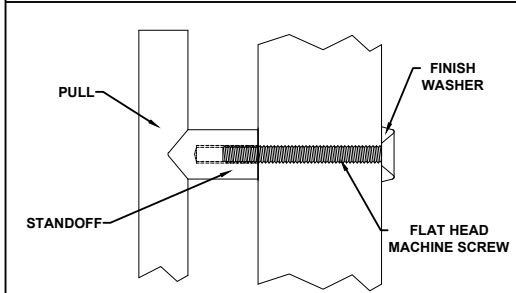
AB3330-00.DWG

OFFSET, ROUND END PULL HANDLE

AB3330 (Ø1), AB3331 (Ø1-1/4"), AB3332 (Ø1-1/2")

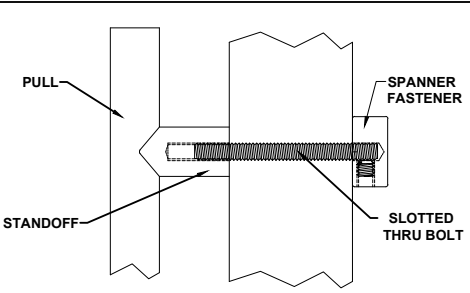
MOUNTING OPTIONS

**TYPE 1 - THRU BOLT W/ FINISH WASHER
(WOOD OR METAL DOORS)**



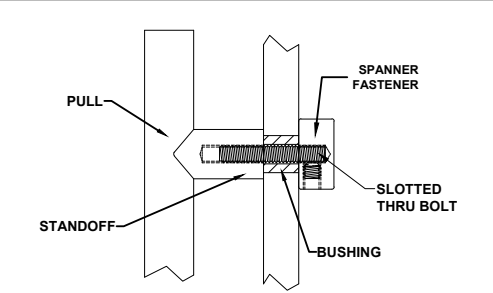
Type	Bolt Size	Drill Size
1HD	5/16-18	11/32"

**TYPE 12 - DECORATIVE THRU BOLT
(WOOD OR METAL DOORS)**



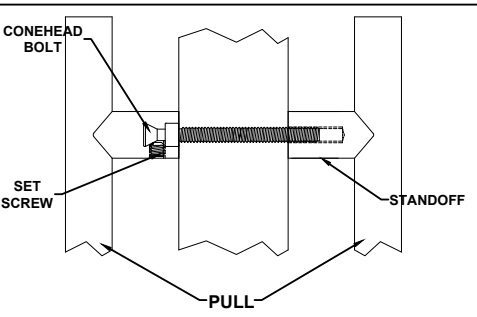
Type	Bolt Size	Drill Size
12HD	5/16-18	11/32"

**TYPE 15 - DECORATIVE THRU BOLT
(GLASS DOORS)**



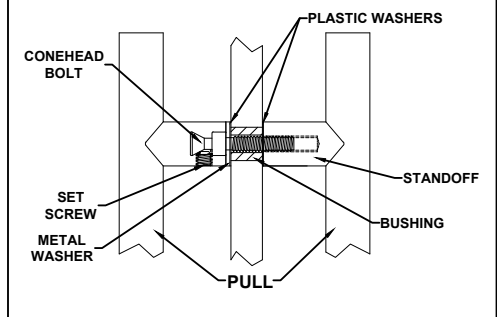
Type	Bolt Size	Drill Size
15HD	5/16-18	5/8"

**TYPE 5 - BACK-TO-BACK MOUNTING
(WOOD OR METAL DOORS)**



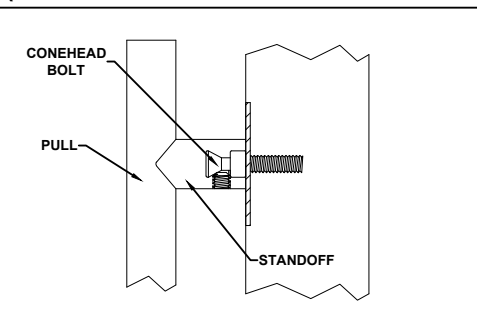
Type	Bolt Size	Drill Size
5HD	5/16-18	11/32"

**TYPE 13 - BACK-TO-BACK MOUNTING
(GLASS DOORS)**



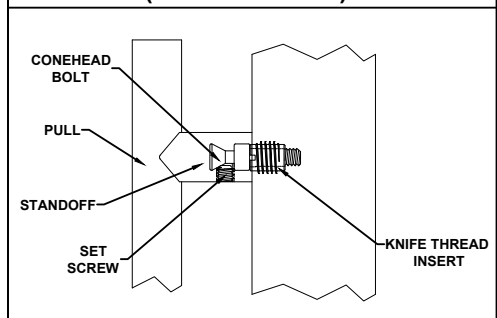
Type	Bolt Size	Drill Size
13HD	5/16-18	11/32"

**TYPE 6 - SURFACE CONCEALED
(METAL DOORS W/ REINFORCEMENT)**



Type	Bolt Size	Drill Size
6HD	5/16-18	5/16-18 TAP

**TYPE 8 - SURFACE CONCEALED
(WOOD DOORS)**



Type	Bolt Size	Drill Size
8HD	5/16-18	7/16"-9/16 DP.

AB3330-00.DWG