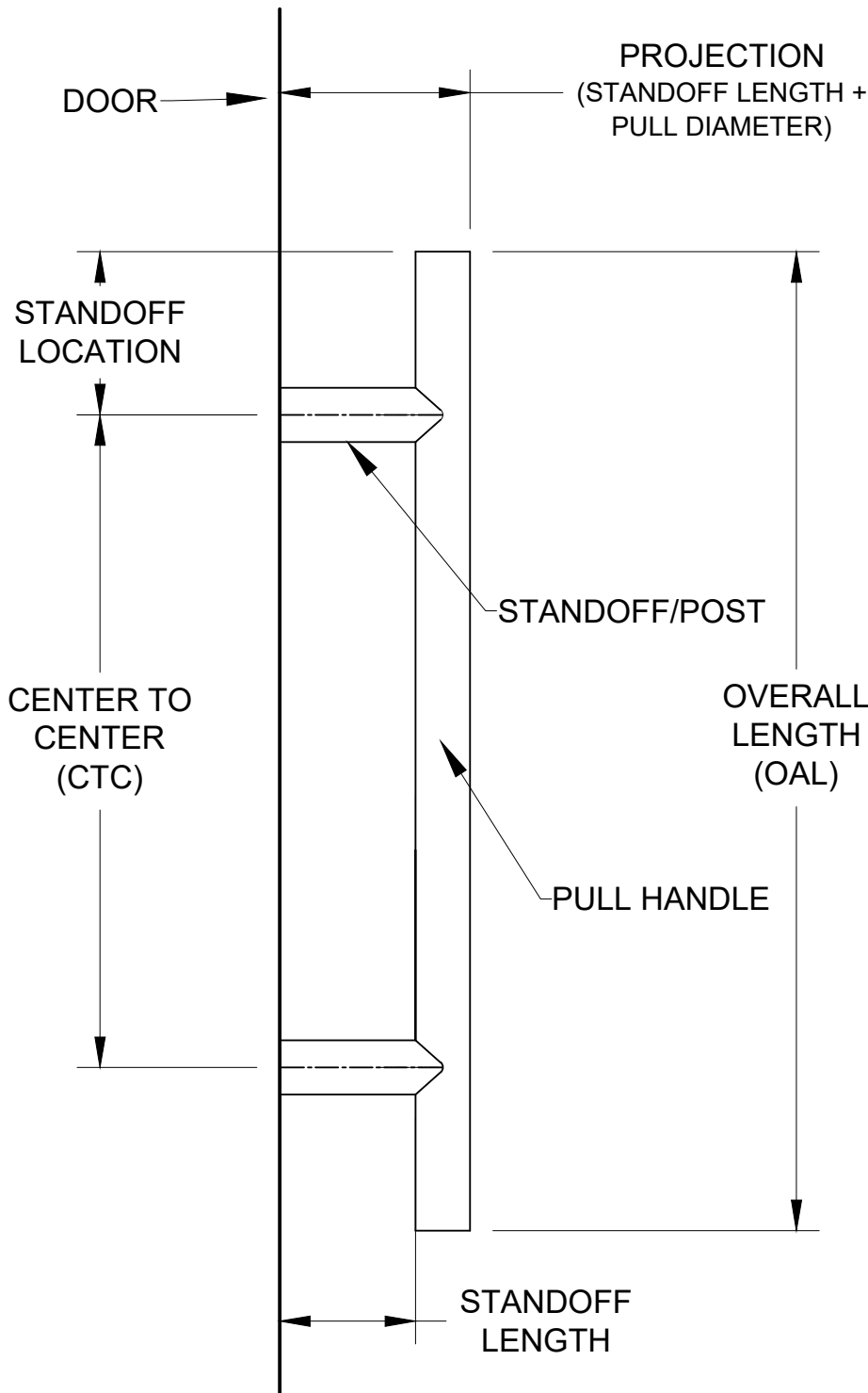


# STRAIGHT, FLAT END PULL HANDLE

AB3300 (Ø1), AB3301 (Ø1-1/4"), AB3302 (Ø1-1/2")



## STANDOFF LOCATION STANDARD (TOP OF PULL TO C/L OF STANDOFF)

12" - 36" (2 Standoffs) = 3"

37" - 72" (2 Standoffs) = 6"

73" - 96" (3 Standoffs) = 3"  
(THIRD STANDOFF CENTERED  
IN HEIGHT)

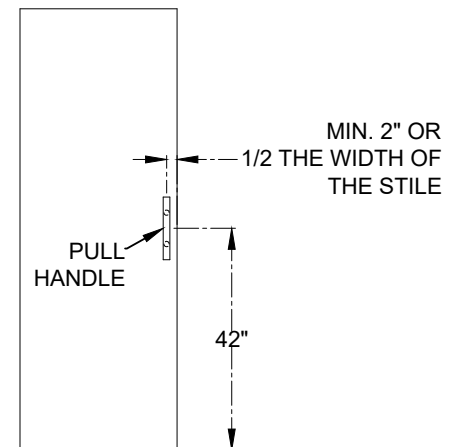
CUSTOM LOCATIONS AVAILABLE.  
CONTACT FACTORY.

## STANDARD

OAL*	CTC*	STANDOFF LENGTH*
12"	6"	1-3/4"
24"	18"	1-3/4"
36"	30"	1-3/4"
48"	36"	1-3/4"
60"	48"	1-3/4"
72"	60"	1-3/4"
84"	78"	1-3/4"
96"	90"	1-3/4"

\*CUSTOM PULL AND STANDOFF LENGTHS AVAILABLE.  
CONTACT FACTORY.

## RECOMMENDED PULL LOCATION ON DOOR



### NOTES:

1. ALL DIMENSIONS ARE IN INCHES.
2. DO NOT SCALE DRAWING.
3. MATERIAL: STAINLESS STEEL

AB3300-00.DWG

**ABH**  
MANUFACTURING INC.

www.abhmfg.com  
E-mail: abhinfo@abhmfg.com  
Architectural Builders Hardware Mfg., Inc.  
1222 Ardmore Ave., Itasca, IL 60143  
630.875.9900; FAX 800.9FAXABH (932.9224)

© 2022 ABH Mfg., Inc.  
printed in USA

**AB3300**  
**PULL HANDLE**

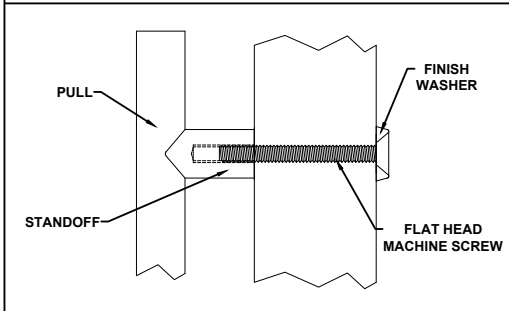
PAGE 1 OF 2  
ISSUED 4-14-22

# STRAIGHT, FLAT END PULL HANDLE

AB3300 (Ø1), AB3301 (Ø1-1/4"), AB3302 (Ø1-1/2")

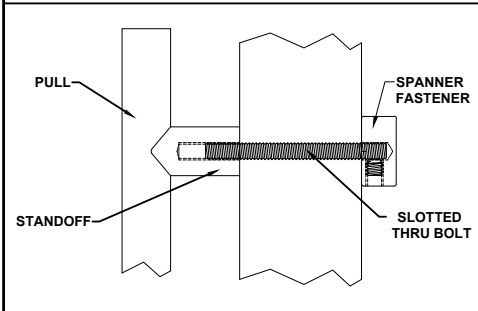
## MOUNTING OPTIONS

**TYPE 1 - THRU BOLT W/ FINISH WASHER  
(WOOD OR METAL DOORS)**



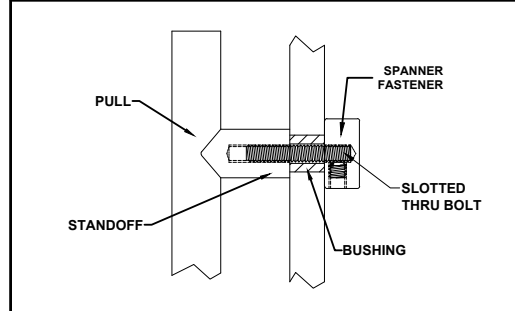
Type	Bolt Size	Drill Size
1HD	5/16-18	11/32"

**TYPE 12 - DECORATIVE THRU BOLT  
(WOOD OR METAL DOORS)**



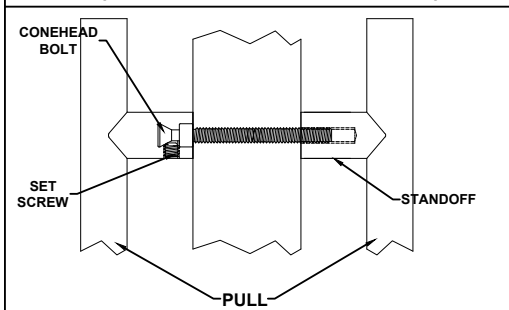
Type	Bolt Size	Drill Size
12HD	5/16-18	11/32"

**TYPE 15 - DECORATIVE THRU BOLT  
(GLASS DOORS)**



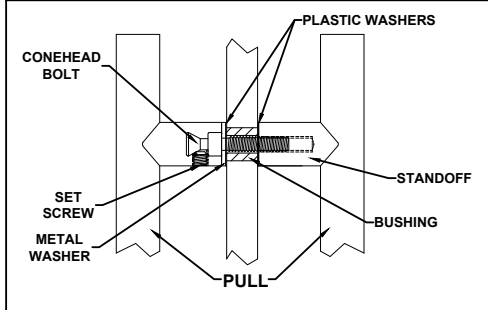
Type	Bolt Size	Drill Size
15HD	5/16-18	5/8"

**TYPE 5 - BACK-TO-BACK MOUNTING  
(WOOD OR METAL DOORS)**



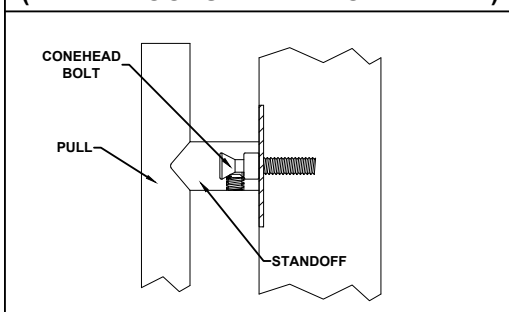
Type	Bolt Size	Drill Size
5HD	5/16-18	11/32"

**TYPE 13 - BACK-TO-BACK MOUNTING  
(GLASS DOORS)**



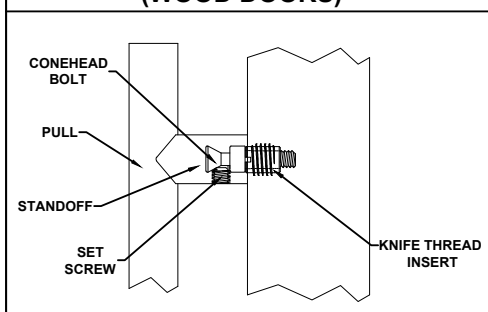
Type	Bolt Size	Drill Size
13HD	5/16-18	11/32"

**TYPE 6 - SURFACE CONCEALED  
(METAL DOORS W/ REINFORCEMENT)**



Type	Bolt Size	Drill Size
6HD	5/16-18	5/16-18 TAP

**TYPE 8 - SURFACE CONCEALED  
(WOOD DOORS)**



Type	Bolt Size	Drill Size
8HD	5/16-18	7/16"-9/16 DP.



www.abhmfg.com  
E-mail: abhinfo@abhmfg.com  
Architectural Builders Hardware Mfg., Inc.  
1222 Ardmore Ave., Itasca, IL 60143  
630.875.9900; FAX 800.9FAXABH (932.9224)

© 2022 ABH Mfg., Inc.  
printed in USA

**AB3300  
PULL HANDLE**

PAGE 2 OF 2  
ISSUED 4-14-22

AB3300-00.DWG