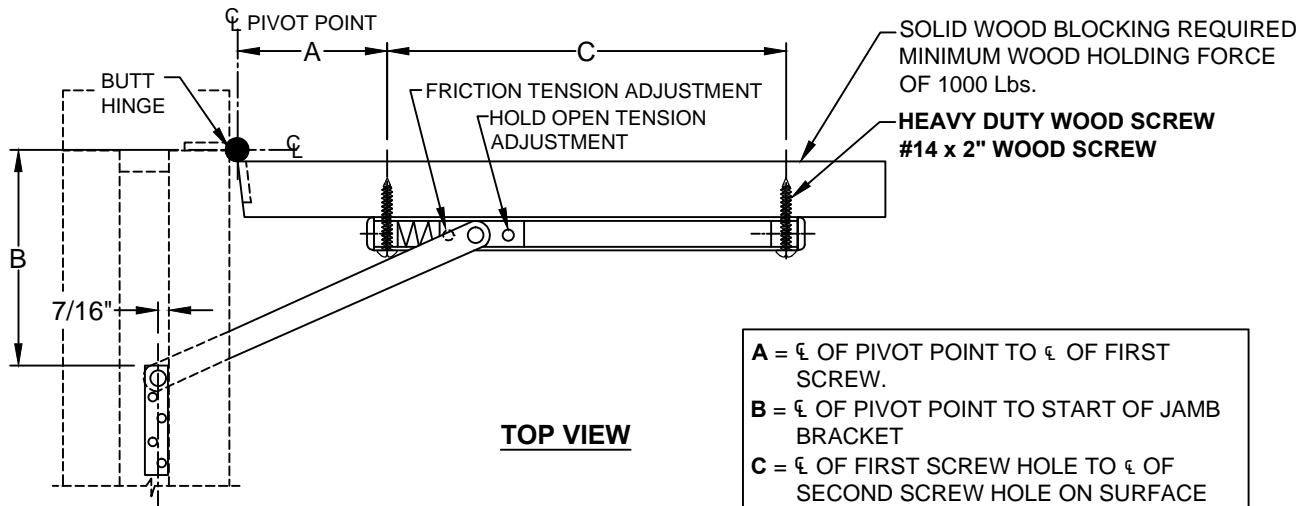


4400 SERIES SURFACE HOLDERS & STOPS

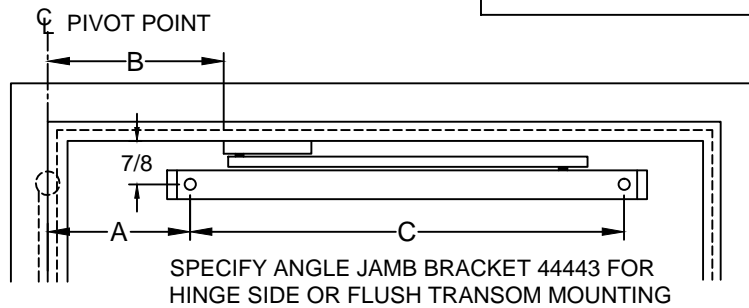
SURFACE MOUNT

- 4410 HOLD-OPEN
- 4420 STOP
- 4430 FRICTION



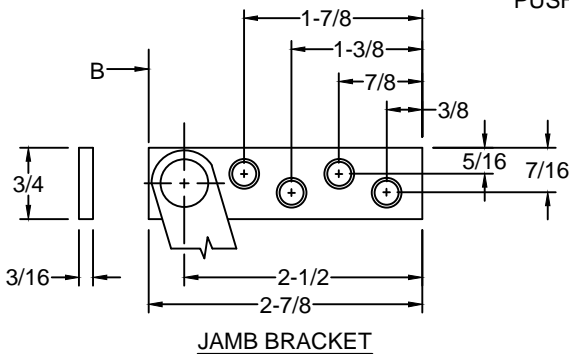
A = ϵ OF PIVOT POINT TO ϵ OF FIRST SCREW.
B = ϵ OF PIVOT POINT TO START OF JAMB BRACKET
C = ϵ OF FIRST SCREW HOLE TO ϵ OF SECOND SCREW HOLE ON SURFACE MOUNT CHANNEL

TOP VIEW

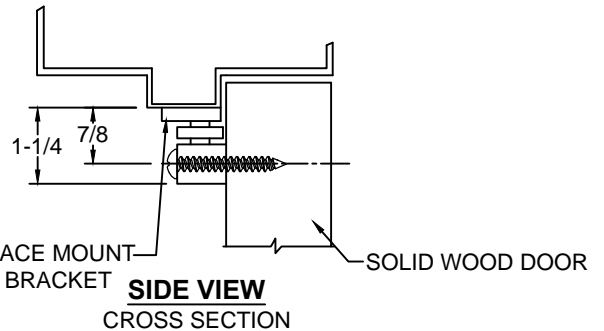


SPECIFY ANGLE JAMB BRACKET 44443 FOR HINGE SIDE OR FLUSH TRANSOM MOUNTING

FRONT VIEW
PUSH SIDE OF DOOR



JAMB BRACKET



SIDE VIEW
CROSS SECTION

SCREW DETAIL		WOOD
JAMB	4	● #10-32 x 1-1/2" FLAT HEAD WOOD SCREW
DOOR	2	● #14 x 2" PHILLIPS PAN HEAD WOOD SCREW (1-3/4" THK. DOOR) OR ● #14 x 1-3/4" PHILLIPS PAN HEAD WOOD SCREW (1-3/8" THK. DOOR)

NOTES:

1. REVERSIBLE/ NON - HANDED
2. FOR SINGLE ACTING DOORS ONLY
3. ALL DRILLING & TAPPING TO BE DONE IN FIELD.
4. ALWAYS REQUEST LATEST TEMPLATE/ DRAWING FOR NEW INSTALLATIONS.
5. ALL DIMENSIONS ARE IN INCHES.
6. DRAWING IS NOT TO SCALE



www.abhmfg.com
 E-mail: abhinfo@abhmfg.com
 Architectural Builders Hardware Mfg., Inc.
 1222 Ardmore Ave., Itasca, IL 60143
 630.875.9900; FAX 800.9FAXABH (932.9224)

©2017 ABH Mfg., Inc.
 printed in USA

SP-4733

PAGE 1 OF 2
 REVISED 07-19-17

4400 SERIES SURFACE HOLDERS & STOPS

SURFACE MOUNT

●4410 HOLD-OPEN ●4420 STOP ●4430 FRICTION

1. FOR DEAD STOP ADD 3/4" TO "A" DIMENSION
 2. ALL DIMENSIONS ARE IN INCHES.

* BUTT & OFFSET PIVOT ONLY

DOOR THICKNESS	DEGREE	85° H.O.		90° H.O.		95° H.O.		100° H.O.		105° H.O.		110° H.O.		C	
	MODEL NO.	DOOR OPENING	A	B	A	B	A	B	A	B	A	B	A		B
1-3/4" TO 2-3/8" BUTT HINGE, SWING CLEAR HINGE, OFFSET PIVOT	● 4411 ● 4421 ● 4431	18" TO 23-15/16"	2-1/2*	5-1/8*	2-3/16*	4-13/16*	1-7/8*	4-1/2*	1-11/16*	4-5/16*	—	—	—	—	13-11/16
	● 4412 ● 4422 ● 4432	24" TO 29-15/16"	5	6-3/4	4-5/8	6-3/8	4-1/4	6	3-15/16	5-11/16	3-11/16	5-7/16	—	—	15-9/16
	● 4413 ● 4423 ● 4433	30" TO 35-15/16"	10	7-11/16	9-1/2	7-3/16	9-1/16	6-3/4	8-3/4	6-7/16	8-7/16	6-1/8	8-1/8	5-13/16	16-7/16
	● 4414 ● 4424 ● 4434	36" TO 48"	14-3/8	9-3/16	13-13/16	8-5/8	13-5/16	8-1/8	12-7/8	7-11/16	12-1/2	7-5/16	12-1/8	6-15/16	18-1/16

DOOR THICKNESS	DEGREE	85° H.O.		90° H.O.		95° H.O.		100° H.O.		105° H.O.		110° H.O.		C	
	MODEL NO.	DOOR OPENING	A	B	A	B	A	B	A	B	A	B	A		B
1-3/8" TO 1-5/8" BUTT HINGE, SWING CLEAR HINGE, OFFSET PIVOT	● 4411 ● 4421 ● 4431	18" TO 23-15/16"	2-3/4*	5-3/8*	2-7/16*	5-1/16*	2-1/8*	4-3/4*	1-15/16*	4-9/16*	—	—	—	—	13-11/16
	● 4412 ● 4422 ● 4432	24" TO 29-15/16"	5-1/4	7	4-7/8	6-5/8	4-1/2	6-1/4	4-3/16	5-15/16	3-15/16	5-11/16	—	—	15-9/16
	● 4413 ● 4423 ● 4433	30" TO 35-15/16"	10-1/4	7-15/16	9-3/4	7-7/16	9-5/16	7	9	6-11/16	8-11/16	6-3/8	8-3/8	6-1/16	16-7/16
	● 4414 ● 4424 ● 4434	36" TO 48"	14-5/8	9-7/16	14-1/16	8-3/4	13-9/16	8-3/8	13-1/8	7-15/16	12-3/4	7-9/16	12-3/8	7-3/16	18-1/16

DOOR THICKNESS	DEGREE	85° H.O.		90° H.O.		95° H.O.		100° H.O.		105° H.O.		110° H.O.		C	
	MODEL NO.	DOOR OPENING	A	B	A	B	A	B	A	B	A	B	A		B
1-3/8" TO 2-3/8" CENTER HUNG	● 4411 ● 4421 ● 4431	22" TO 27-7/16"	3-1/8	5-3/4	2-13/16	5-7/16	2-1/2	5-1/8	2-5/16	4-15/16	2-3/16	4-13/16	2	4-5/8	13-11/16
	● 4412 ● 4422 ● 4432	27-1/2" TO 33-7/16"	5-5/8	7-3/8	5-1/4	7	4-7/8	6-5/8	4-9/16	6-5/16	4-5/16	6-1/16	4-1/16	5-13/16	15-9/16
	● 4413 ● 4423 ● 4433	33-1/2" TO 38-15/16"	10-5/8	8-5/16	10-1/8	7-13/16	9-11/16	7-3/8	9-3/8	7-1/16	9-1/16	6-3/4	8-3/4	6-7/16	16-7/16
	● 4414 ● 4424 ● 4434	39" TO 48"	15	9-13/16	14-7/16	9-1/4	13-15/16	8-3/4	13-1/2	8-5/16	13-1/8	7-15/16	12-3/4	7-9/16	18-1/16



www.abhmfg.com
 E-mail: abhinfo@abhmfg.com
 Architectural Builders Hardware Mfg., Inc.
 1222 Ardmore Ave., Itasca, IL 60143
 630.875.9900; FAX 800.9FAXABH (932.9224)

©2017 ABH Mfg., Inc.
 printed in USA

SP-4733-1

PAGE 2 OF 2
 REVISED 07-08-17

SP-4733.DWG