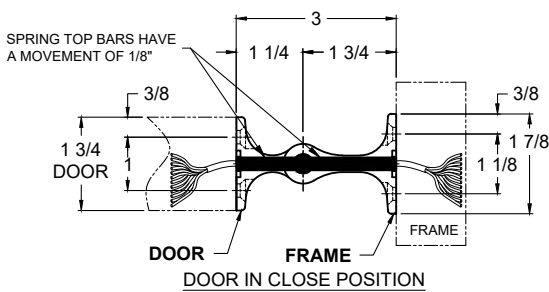
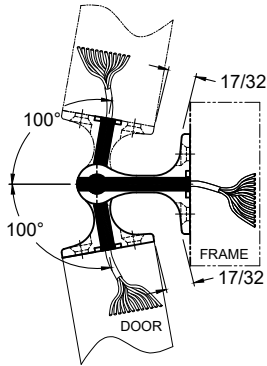


# A507 - "TW" or "EZ" OPTION, ANTI-LIGATURE SPRING TOP DOUBLE SWING ALUMINUM HINGE

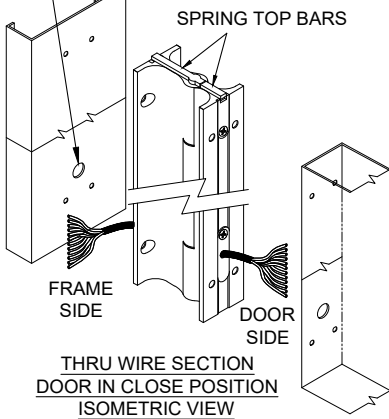


DOOR IN CLOSE POSITION



DOOR SWING 100° BOTH DIRECTION

DRILL 3/4" CLEARANCE HOLES FOR THRU-WIRES



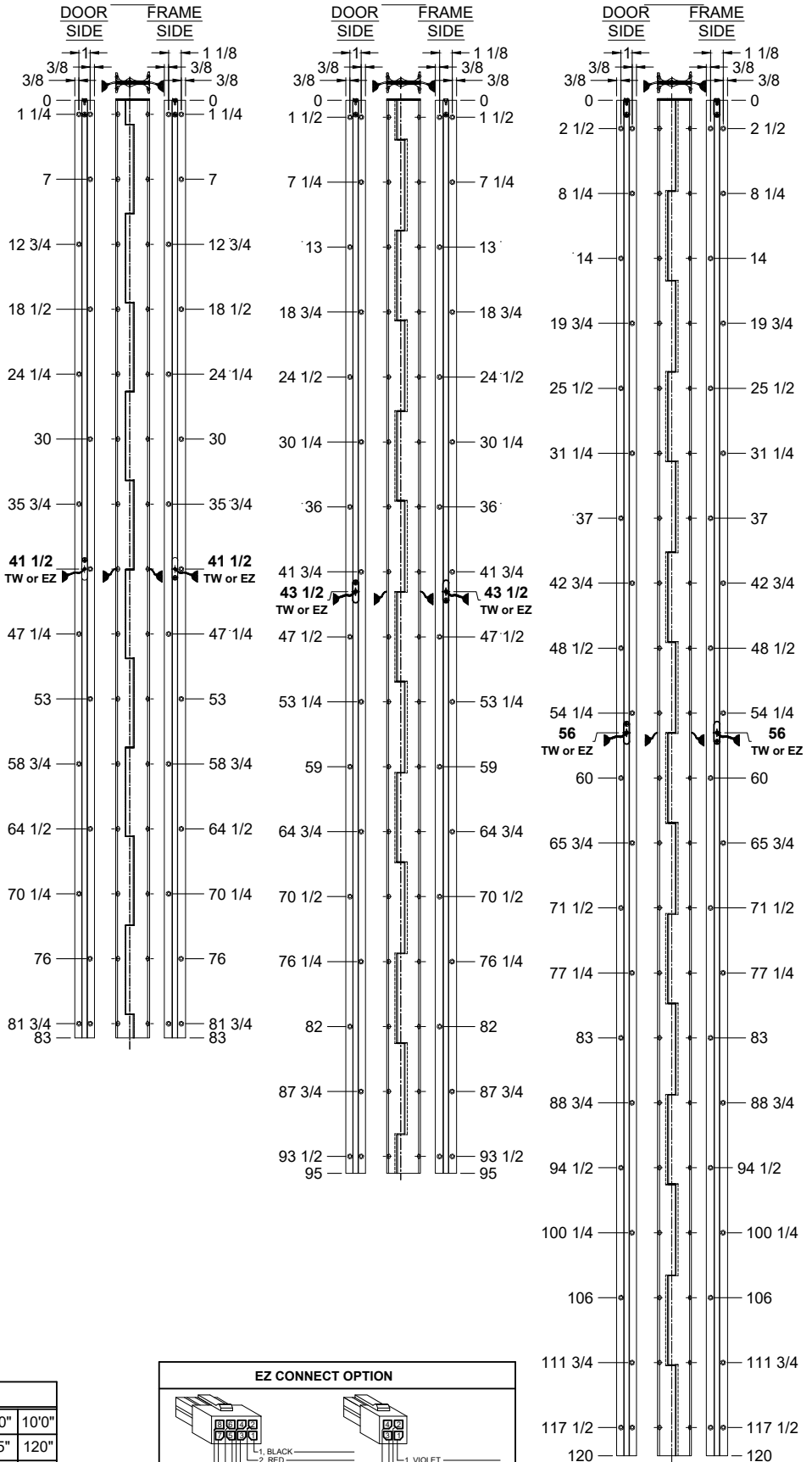
**NOTES:**

- HINGES CUT TO CUSTOM LENGTH ARE CUT FROM BOTTOM OF HINGE.
- SPECIFY HANDING WHEN ORDERING.
- SPECIFY WIRE CONFIGURATION WHEN ORDERING, TEMPLATE REMAINS THE SAME.
  - TW4            ● EZ4\*
  - TW8            ● EZ8\*
  - TW12          ● EZ12\*
- \* SPECIFY ELECTRIFIED HARDWARE MANUFACTURER FOR CONNECTOR COMPATIBILITY
4. 30 AWG WIRES, APPROX. 4" LONG PER SIDE, RATED 2 AMP CONTINUOUS LOW VOLTAGE.
5. ALL DIMENSIONS ARE IN INCHES.
6. ALL DIMENSIONS ARE TO CENTERLINE OF HOLES.

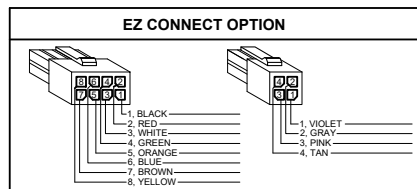
**83"**

**95"**

**120"**



STANDARD HINGE SIZES & SCREW DETAIL			
NOMINAL DOOR HEIGHT	7'0"	8'0"	10'0"
ACTUAL HINGE LENGTH	83"	95"	120"
FRAME	12-24 x 3/4" S.S. PIN TORX FLAT HEAD, UNDERCUT, SELF DRILLING, THREAD FORMING TEK MACHINE SCREW	17	19    23
DOOR	12-24 x 3/4" S.S. PIN TORX FLAT HEAD, UNDERCUT, SELF DRILLING, THREAD FORMING TEK MACHINE SCREW	17	19    23



www.abhmfg.com  
 E-mail: abhinfo@abhmfg.com  
 Architectural Builders Hardware Mfg., Inc.  
 1222 Ardmore Ave., Itasca, IL 60143  
 630.875.9900; FAX 800.9FAXABH (932.9224)

**A507 - "TW" or "EZ" OPTION,  
 ANTI-LIGATURE SPRING TOP  
 DOUBLE SWING ALUMINUM HINGE**

© 2022 ABH Mfg., Inc.  
 printed in USA