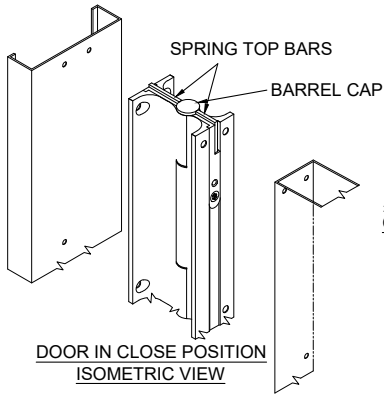
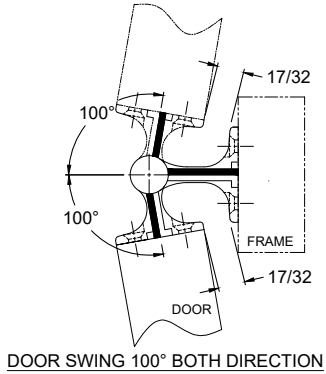
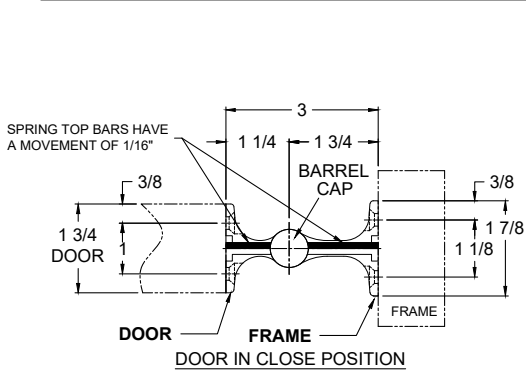


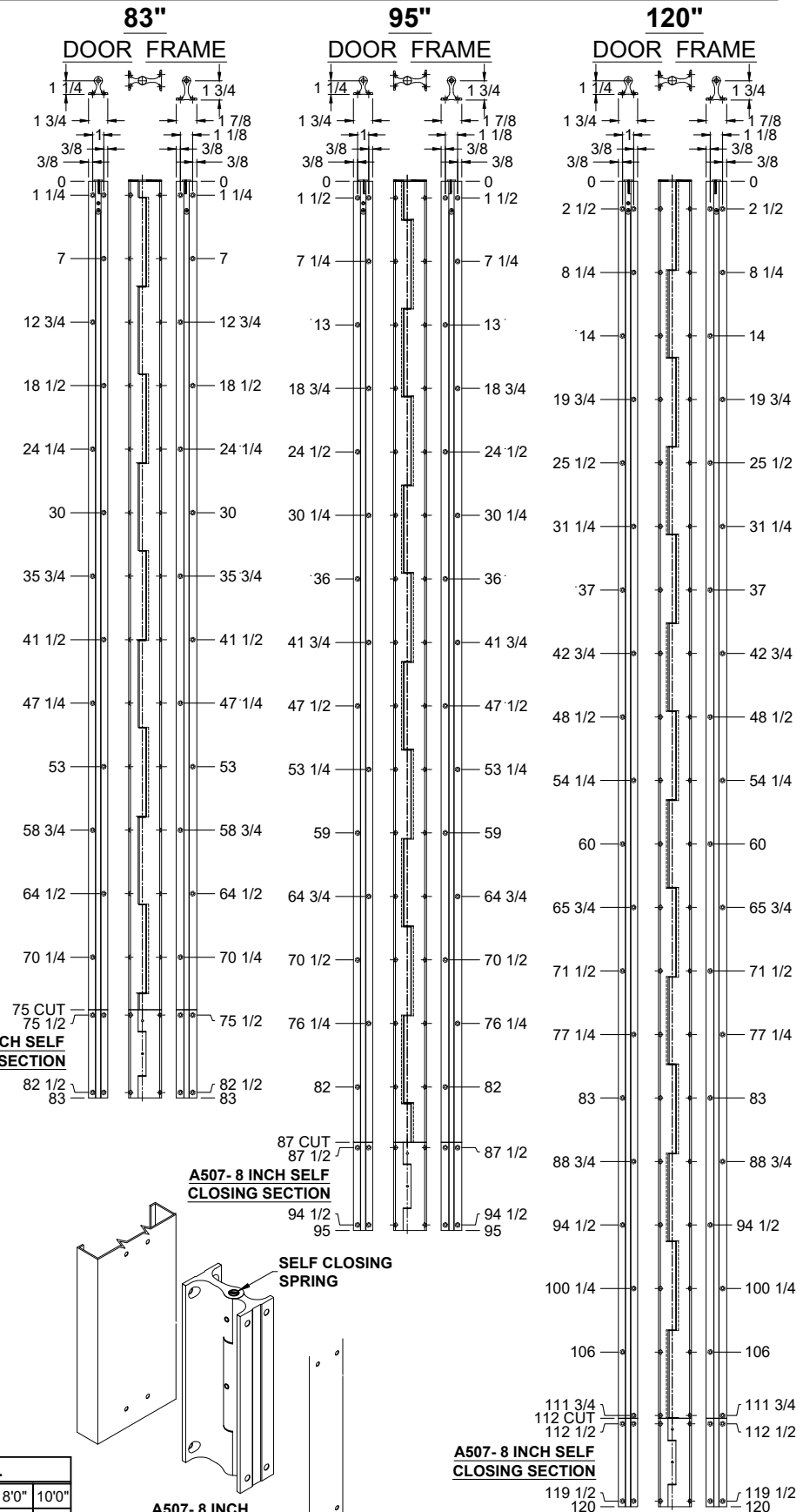
**A507 ANTI-LIGATURE SPRING TOP DOUBLE SWING ALUMINUM HINGE WITH 8 INCH SELF CLOSING OPTION**



**A507- 8 INCH SELF CLOSING SECTION**

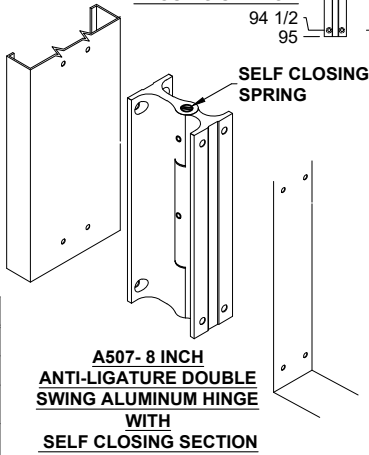
**A507- 8 INCH SELF CLOSING SECTION**

**A507- 8 INCH SELF CLOSING SECTION**



- NOTES:**
1. HINGES CUT TO CUSTOM LENGTH ARE CUT FROM THE BOTTOM. PLEASE SPECIFY HANDING.
  2. ALL DIMENSIONS ARE IN INCHES.
  3. ALL DIMENSIONS ARE TO CENTERLINE OF HOLES.

STANDARD HINGE SIZES & SCREW DETAIL			
NOMINAL DOOR HEIGHT	7'0"	8'0"	10'0"
ACTUAL HINGE LENGTH	83"	95"	120"
FRAME	12-24 x 3/4" S.S. PIN TORX FLAT HEAD, UNDERCUT, SELF DRILLING, THREAD FORMING TEK MACHINE SCREW	18	20
DOOR	12-24 x 3/4" S.S. PIN TORX FLAT HEAD, UNDERCUT, SELF DRILLING, THREAD FORMING TEK MACHINE SCREW	18	20



www.abhmf.com  
 E-mail: abhinfo@abhmf.com  
 Architectural Builders Hardware Mfg., Inc.  
 1222 Ardmore Ave., Itasca, IL 60143  
 630.875.9900; FAX 800.9FAXABH (932.9224)

**A507 ANTI-LIGATURE SPRING TOP DOUBLE SWING ALUMINUM HINGE WITH 8 INCH SELF CLOSING OPTION**

© 2022 ABH Mfg., Inc. printed in USA