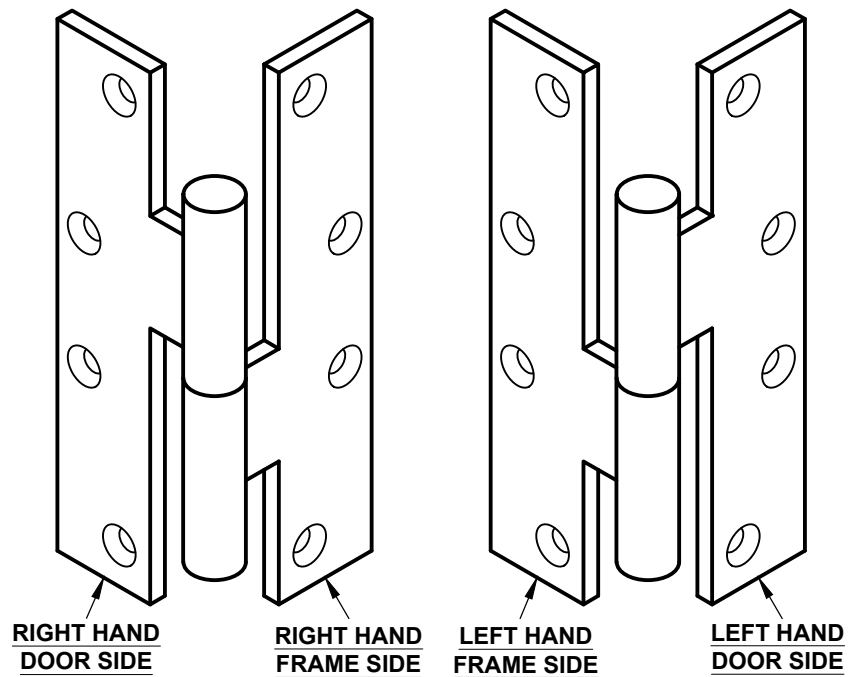
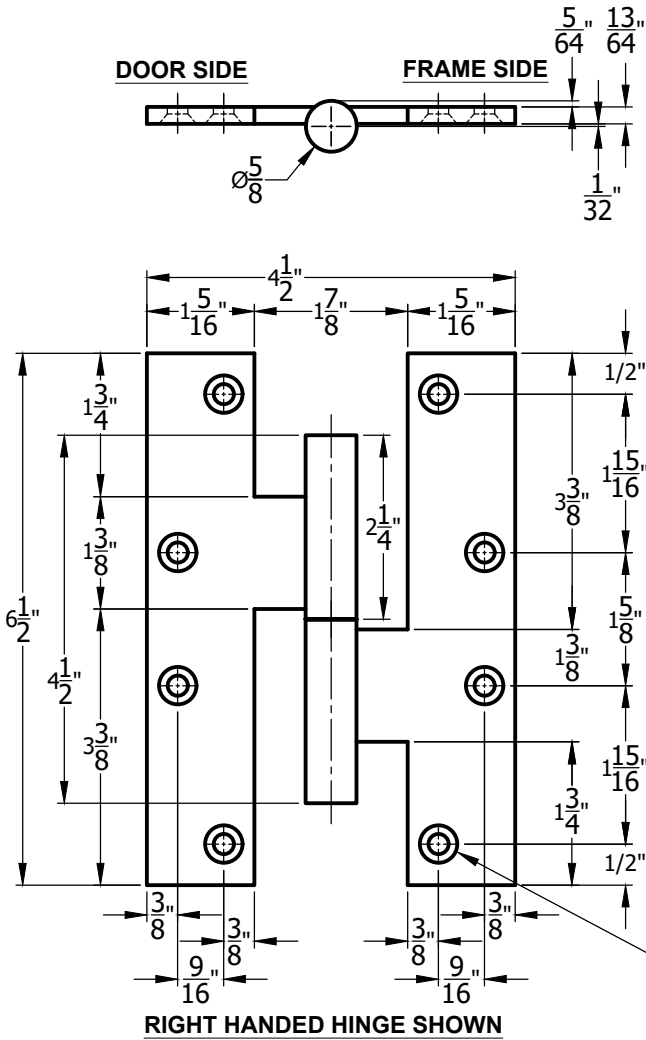
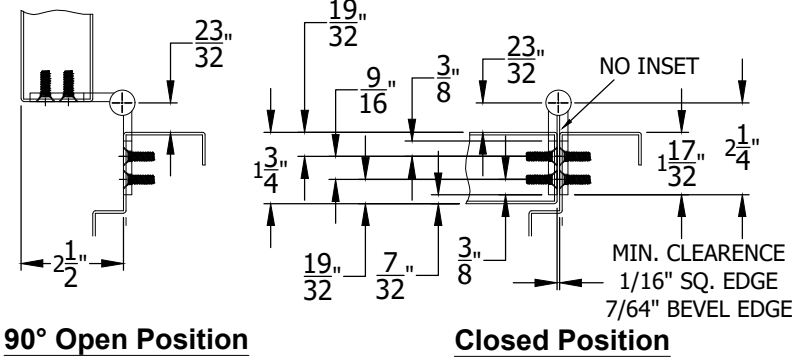


019PM, PAUMELLE HINGE FOR 1-3/4" THICK DOOR - HANDED

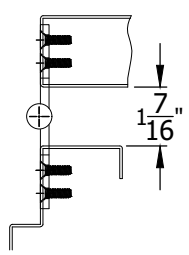


COUNTERSINK FOR
12-24 FLAT HEAD SCREW
(8 PLACES)



90° Open Position

Closed Position



180° Open Position

NOTES:

1. PAUMELLE HINGES ARE DESIGNED TO BE INSTALLED "FULL MORTISE".
2. CAN BE USED ON HOLLOW METAL OR WOOD FRAMES AND DOORS.
3. HINGES ARE HANDED. SEE ABOVE PICTURE FOR RIGHT HAND AND LEFT HAND.
 - (a) LEFT HAND DOOR, USE "LEFT HAND" HINGE.
 - (b) RIGHT HAND DOOR, USE "RIGHT HAND" HINGE
 - (c) RIGHT HAND REVERSE DOOR, USE "LEFT HAND" HINGES
 - (d) LEFT HAND REVERSE DOOR, USE "RIGHT HAND" HINGES
4. 1/32" TOLERANCE ON ALL PARTS
5. DO NOT SCALE DRAWING

SCREW DETAIL	
QTY.	DESCRIPTION
8	12-24x3/4" PHILLIPS FLAT HEAD MACHINE SCREW
8	#12x1-1/2" PHILLIPS FLAT HEAD SHEET METAL SCREW



www.abhmfg.com
 E-mail: abhinfo@abhmfg.com
 Architectural Builders Hardware Mfg., Inc.
 1222 Ardmore Ave., Itasca, IL 60143
 630.875.9900; FAX 800.9FAXABH (932.9224)

**019PM, PAUMELLE HINGE
 FOR 1-3/4" THICK DOOR**

© 2021 ABH Mfg., Inc.
printed in USA

PAGE 1 OF 1
 ISSUED 12-02-21

019PM, PAUMELLE HINGE FOR 1.75 DOOR-00.DWG