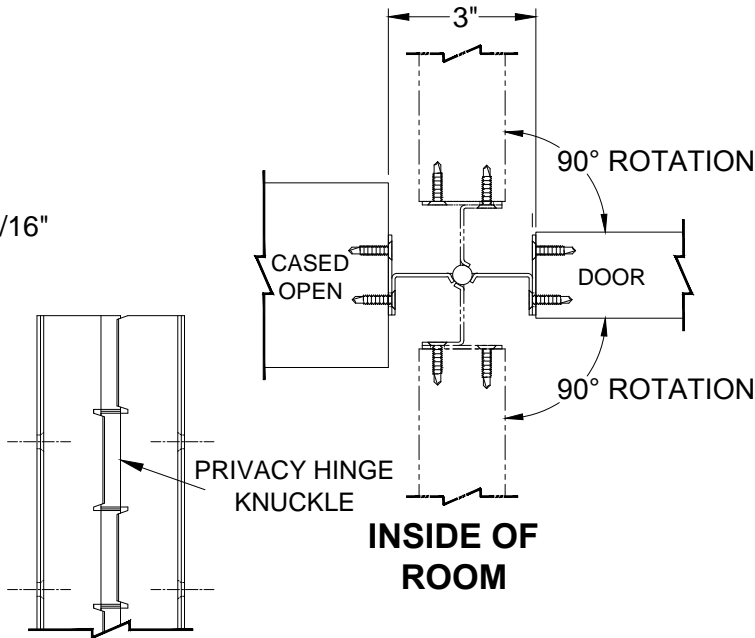
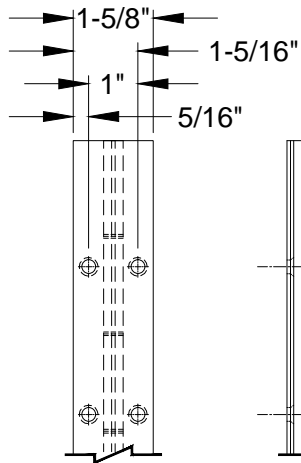
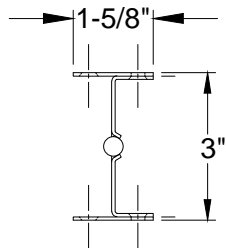
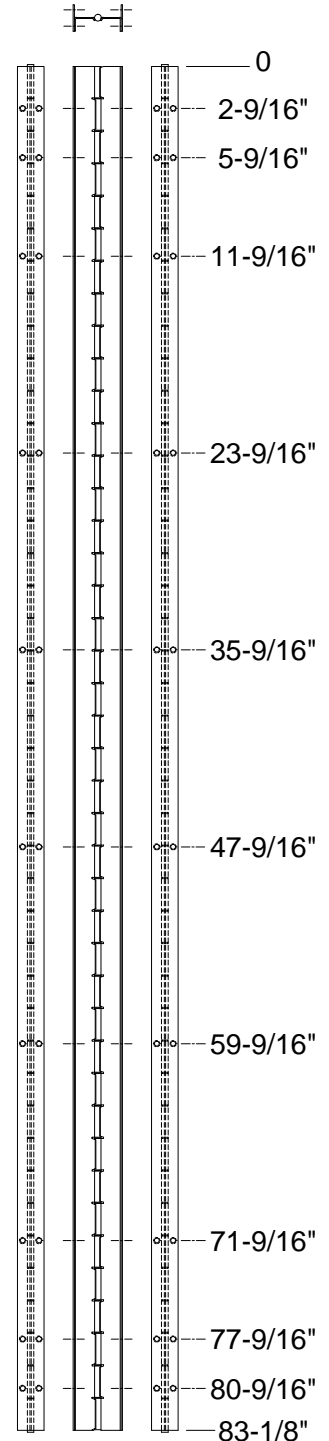


A508 - DOUBLE-ACTING STAINLESS STEEL HINGE



DOUBLE-ACTING SWING

83-1/8"



NOTE: HINGES CUT TO CUSTOM LENGTH ARE CUT FROM THE BOTTOM, DOES NOT REQUIRE HANDING WHEN CUT.

STANDARD HINGE SIZES & SCREW DETAIL	
NOMINAL DOOR HEIGHT	7'0"
ACTUAL HINGE HEIGHT	83-1/8"
Pin/Torx [®] 10-24 x 7/8" PHILLIPS FLAT HEAD, UNDERCUT, SELF-DRILLING TEK MACHINE SECURITY SCREW	40
Pin/Torx [®] #10 x 1-1/4" PHILLIPS FLAT HEAD, UNDERCUT, SHEET METAL SECURITY SCREW	40



www.abhmfg.com
 E-mail: abhinfo@abhmfg.com
 Architectural Builders Hardware Mfg., Inc.
 1222 Ardmore Ave., Itasca, IL 60143
 630.875.9900; FAX 800.9FAXABH (932.9224)

A508-DOUBLE ACTING STAINLESS STEEL HINGE-05.DWG

A508 - DOUBLE-ACTING STAINLESS STEEL HINGE

©2017 ABH Mfg., Inc.
printed in USA

PAGE 1 OF 1
ISSUED 08-11-17