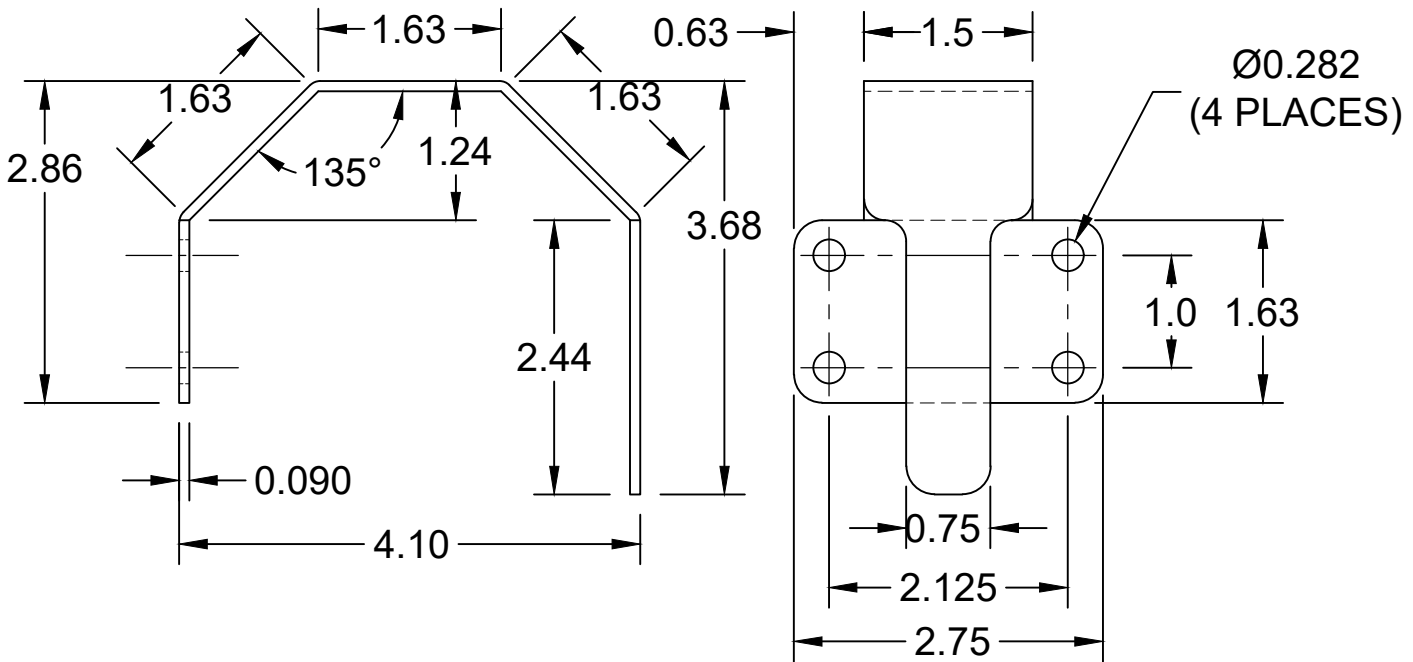
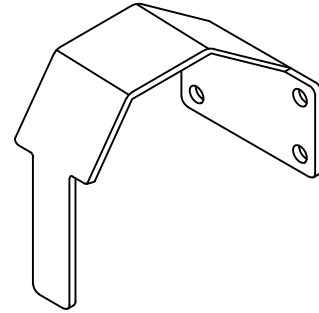
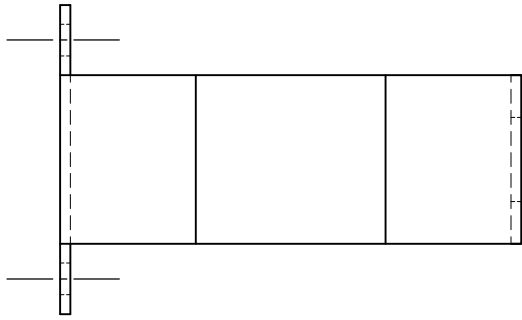


AP100 ARM PULL



NOTES:

1. ALL DIMENSIONS ARE IN INCHES.
2. DO NOT SCALE DRAWING.
3. MATERIAL: .090 THICK STAINLESS STEEL.

SCREW DETAIL

QTY	WOOD	METAL
4	#14x1-1/4" S.S. PIN TORX PAN HEAD SHEET METAL SCREW	#1/4-20x1" S.S. PIN TORX PAN HEAD SELF DRILL THREAD FORMING TEK SCREW
4		#1/4-20x1" S.S. PIN TORX ROUND HEAD MACHINE SCREW
4		3/8" DIA.x1-11/16" LG. SEX BOLT FOR #1/4-20 SCREW

AP100 ARM PULL-01.DWG

ABH
MANUFACTURING INC.

www.abhmfg.com
E-mail: abhinfo@abhmfg.com
Architectural Builders Hardware Mfg., Inc.
1222 Ardmore Ave., Itasca, IL 60143
630.875.9900; FAX 800.9FAXABH (932.9224)

AP100 ARM PULL

© 2020 ABH Mfg., Inc.
printed in USA

PAGE 1 OF 1
ISSUED 04-06-20