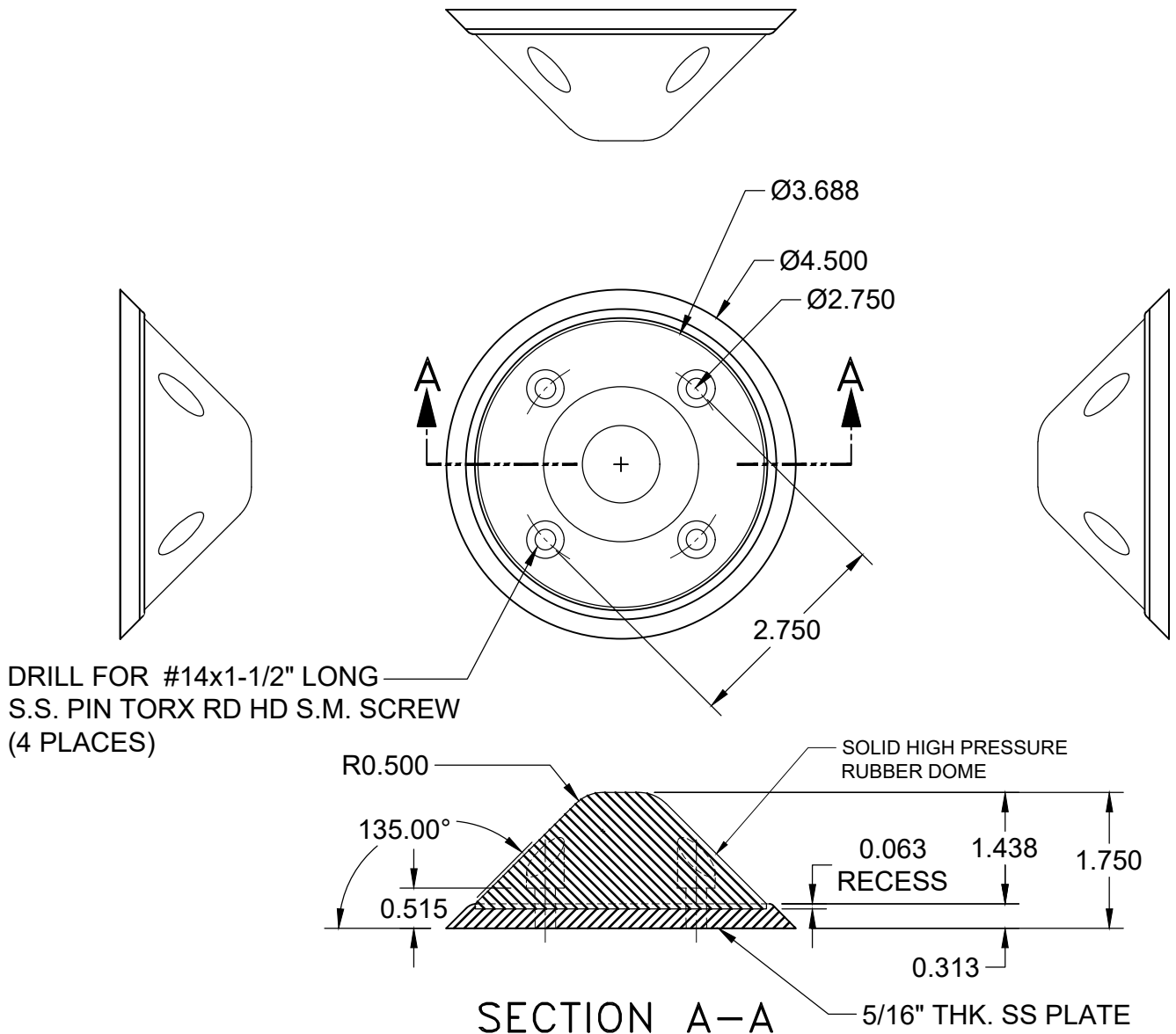


1842 CONICAL WALL STOP



NOTES:

1. ALL DIMENSIONS ARE IN INCHES
2. DO NOT SCALE DRAWING
3. 4-1/2" DIAMETER
4. 1-3/4" PROJECTION FROM FACE OF THE WALL
5. SLOPED TO ELIMINATE LIGATURE POINTS