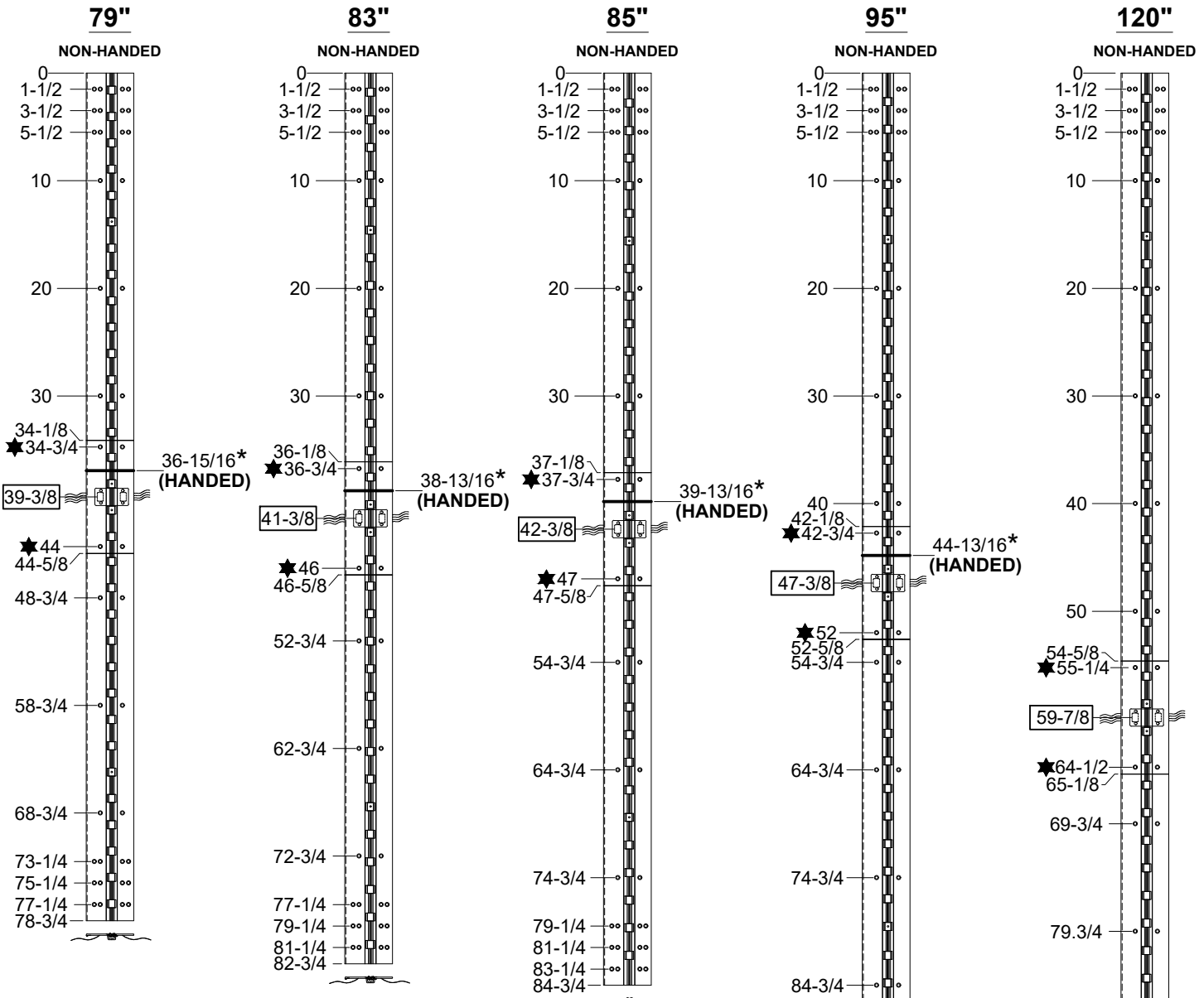


# A140HD/LL - "EA" & "R" ELECTRICAL MODIFICATION WITH REMOVABLE OPTION



## 12 WIRE STANDARD

**NOTES:**

1. HINGES CUT TO CUSTOM LENGTH ARE CUT FROM BOTTOM OF HINGE. CUSTOM CUT HINGE REQUIRES HANDING.

R = REMOVABLE, (3) INDIVIDUAL HINGES, THRU WIRE CAN BE REMOVED TO ACCESS WIRES.

★ = MANUFACTURING TO ADD (4) COUNTERSINK THRU HOLES FOR #12 FLAT HEAD SCREW.



□ = STANDARD LOCATION  
 ★ = LL (LEAD LINED) OPTION (HANDED) LOCATION

STANDARD HINGE SIZES & SCREW DETAIL					
NOMINAL DOOR HEIGHT	6'8"	7'0"	7'2"	8'0"	10'0"
ACTUAL HINGE LENGTH	79"	83"	85"	95"	120"
FRAME	12-24 x 3/4" PHILLIPS FLAT HEAD, UNDERCUT, SELF DRILLING, THREAD FORMING TEK MACHINE SCREW	20	20	22	24
DOOR	12-24 x 3/4" PHILLIPS FLAT HEAD, UNDERCUT, SELF DRILLING, THREAD FORMING TEK MACHINE SCREW	20	20	22	24

A140HD-EA & R, ELECTRICAL MODIFICATION WITH REMOVABLE OPTION-1-04.DWG



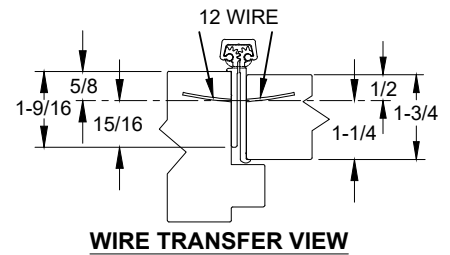
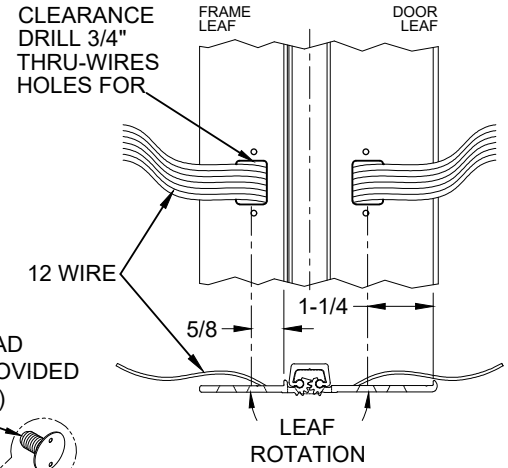
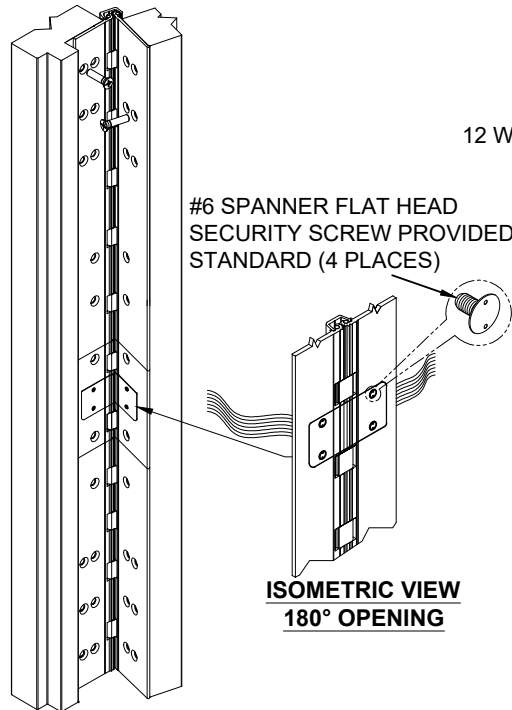
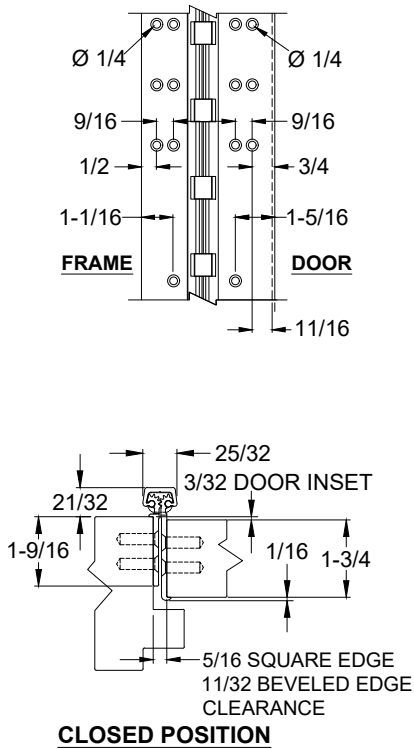
[www.abhmfg.com](http://www.abhmfg.com)  
 E-mail: [abhinfo@abhmfg.com](mailto:abhinfo@abhmfg.com)  
 Architectural Builders Hardware Mfg., Inc.  
 1222 Ardmore Ave., Itasca, IL 60143  
 630.875.9900; FAX 800.9FAXABH (932.9224)

© 2023 ABH Mfg., Inc.  
 printed in USA

**A140HD/LL - "EA" & "R"**  
 ELECTRICAL MODIFICATION  
 WITH REMOVABLE OPTION

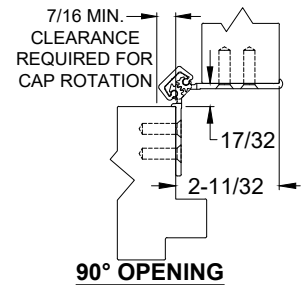
PAGE 1 OF 2  
 REVISED 08-22-22

# A140HD/LL - "EA" & "R" ELECTRICAL MODIFICATION WITH REMOVABLE OPTION

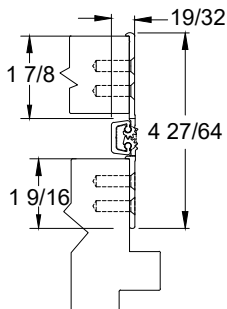


ISOMETRIC VIEW  
180° OPENING

ISOMETRIC VIEW  
~90° OPENING



90° OPENING



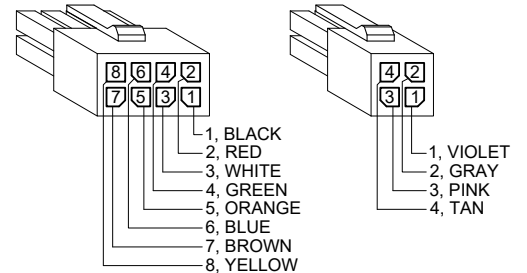
180° OPENING

## NOTES:

1. MOLEX  CONNECTOR OPTION AVAILABLE - SUFFIX "EZ".

\* SPECIFY ELECTRIFIED HARDWARE MANUFACTURER FOR CONNECTOR COMPABILITY

## EZ CONNECT OPTION



## SPECIFICATION:

**DESCRIPTION:** SINGLE CONDUCTOR #22 AWG MINIATURE HOOK-UP WIRE FOR APPLICATIONS REQUIRING EXTREME FLEXIBILITY.

**CONDUCTOR:** #22 AWG 168/44 (0.002") SOFT BARE COPPER LHL.

**INSULATION:** PROPRIETARY FORMULATION PVC 0.010" NOM. WALL MEETS VW-1 FLAME REQUIREMENT.

**DIAMETER:** 0.053" ± 0.003".

**RESISTANCE:** 16.7 OHMS MAX. @ 20°C, PER 1000 FT.

**VOLTAGE RATING:** 600 VOLTS RMS, DEPENDING ON SPECIFICATION.

AVAILABLE AS RoHS COMPLIANT.

A140HD-EA & R, ELECTRICAL MODIFICATION WITH REMOVABLE OPTION-2-04.DWG