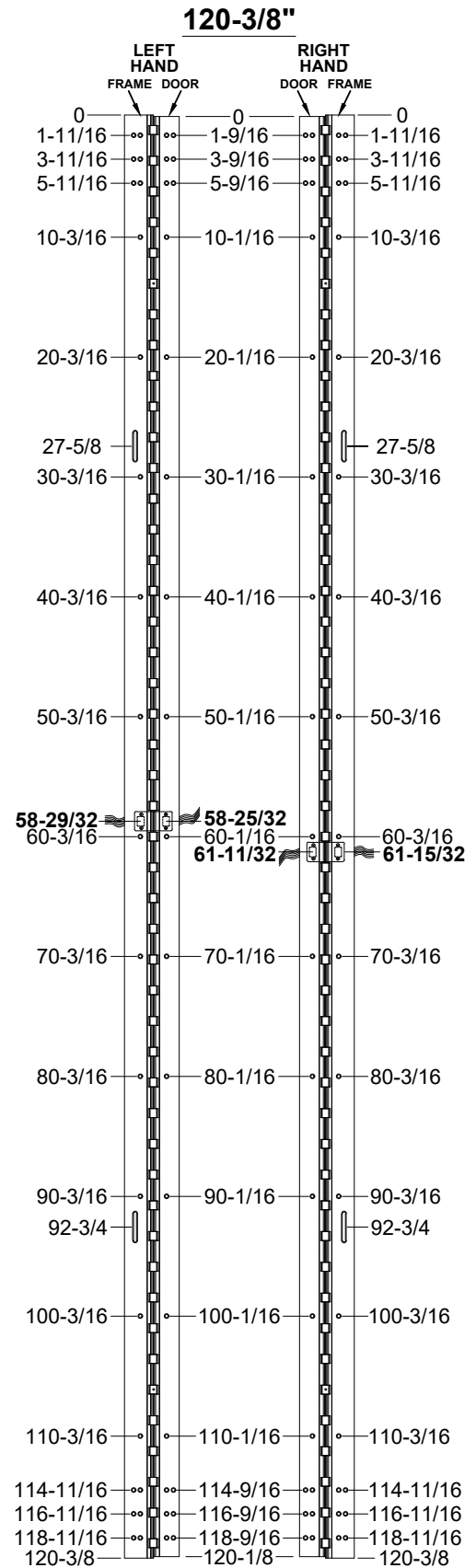
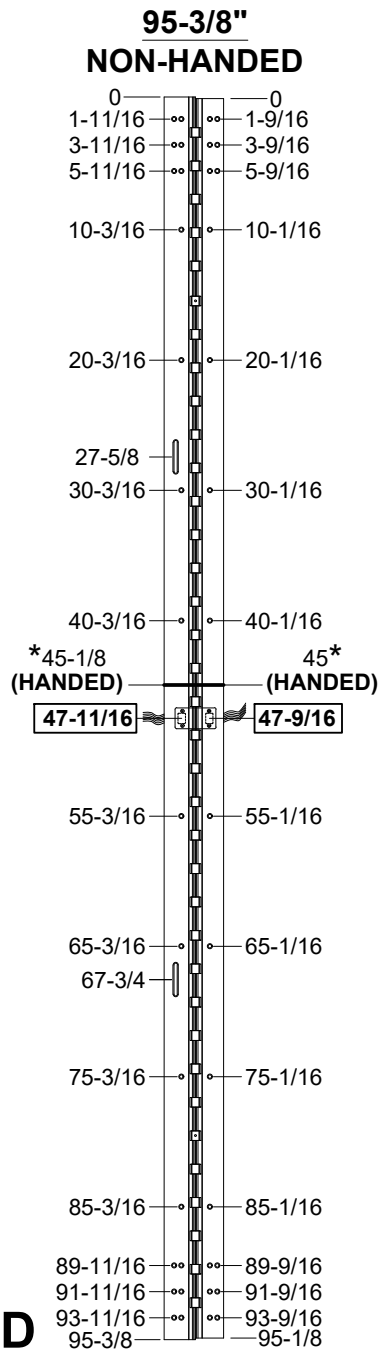
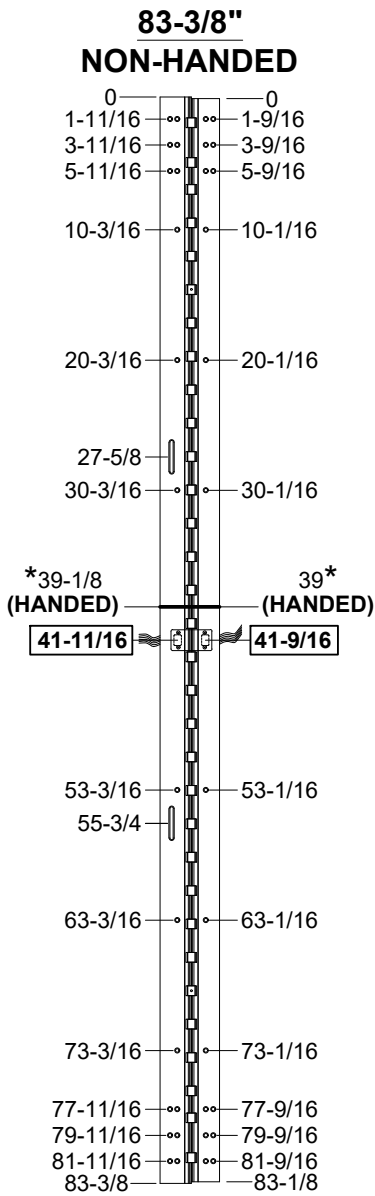


**A120HD/LL - "EA" OPTION, EASY ACCESS CONCEALED ELECTRIFICATION, 1/8" INSET,
FULL CONCEALED WITH FRAME MOUNTING SLOTS**



= STANDARD LOCATION
 * = LL (LEAD LINED) OPTION (HANDED) LOCATION

12 WIRE STANDARD

NOTES:
 1. HINGES CUT TO CUSTOM LENGTH ARE CUT FROM BOTTOM OF HINGE. CUSTOM CUT HINGE REQUIRES HANDING.



STANDARD HINGE SIZES & SCREW DETAIL

NOMINAL DOOR HEIGHT		7'0"		8'0"		10'0"	
		ACTUAL HINGE LENGTH		83-3/8"		95-3/8"	
		HD	LL	HD	LL	HD	LL
FRAME	12-24 x 3/4" PHILLIPS FLAT HEAD, UNDERCUT, SELF DRILLING, THREAD FORMING TEK MACHINE SCREW	20	28	22	32	25	36
DOOR	12-24 x 3/4" PHILLIPS FLAT HEAD, UNDERCUT, SELF DRILLING, THREAD FORMING TEK MACHINE SCREW	18	26	20	30	23	34

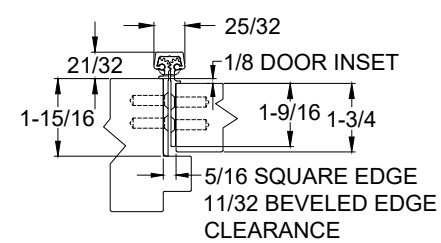
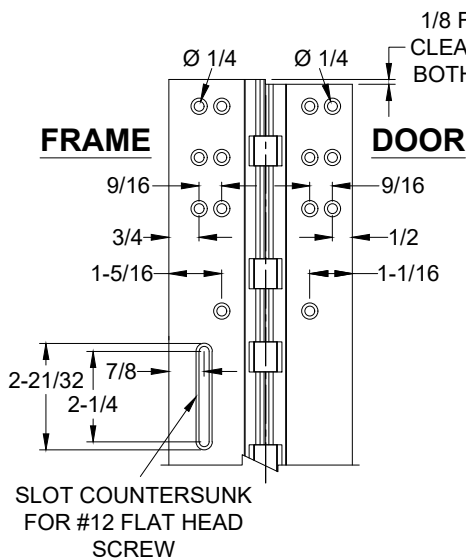
A120-EA OPTION, EASY ACCESS CONCEALED ELECTRIFICATION WITH FRAME MTG SLOTS-1-01.DWG



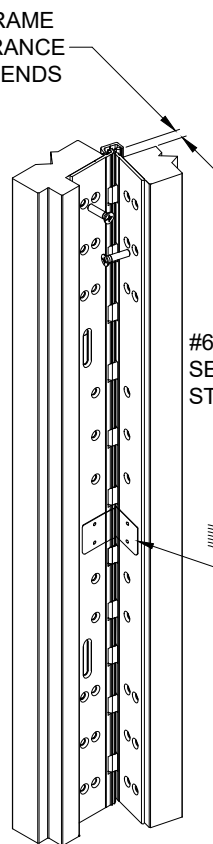
www.abhmf.com
 E-mail: abhinfo@abhmf.com
 Architectural Builders Hardware Mfg., Inc.
 1222 Ardmore Ave., Itasca, IL 60143
 630.875.9900; FAX 800.9FAXABH (932.9224)

A120HD/LL
 "EA" OPTION, EASY ACCESS
 WITH FRAME MOUNTING SLOTS
 © 2023 ABH Mfg., Inc. printed in USA
 PAGE 1 OF 2
 REVISED 03-16-23

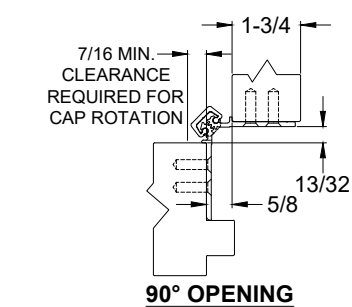
A120HD/LL - "EA" OPTION, EASY ACCESS CONCEALED ELECTRIFICATION, 1/8" INSET, FULL CONCEALED WITH FRAME MOUNTING SLOTS



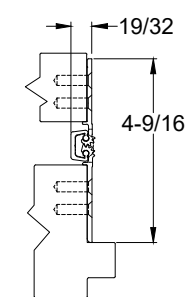
CLOSED POSITION



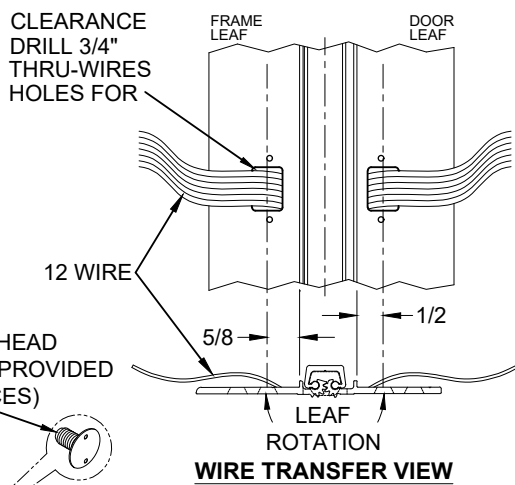
**ISOMETRIC VIEW
~90° OPENING**



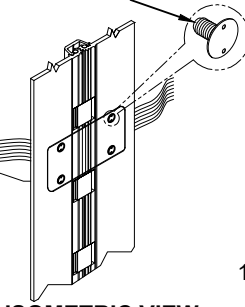
90° OPENING



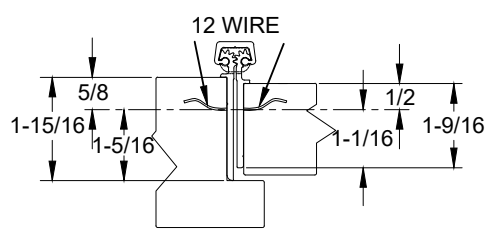
180° OPENING



WIRE TRANSFER VIEW



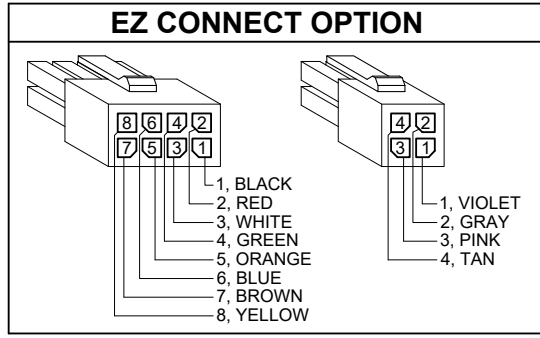
**ISOMETRIC VIEW
180° OPENING**



WIRE TRANSFER VIEW

NOTES:

1. MOLEX CONNECTOR OPTION AVAILABLE - SUFFIX "EZ".
- * SPECIFY ELECTRIFIED HARDWARE MANUFACTURER FOR CONNECTOR COMPABILITY



SPECIFICATION:

DESCRIPTION: SINGLE CONDUCTOR #22 AWG MINIATURE HOOK-UP WIRE FOR APPLICATIONS REQUIRING EXTREME FLEXIBILITY.

CONDUCTOR: #22 AWG 168/44 (0.002") SOFT BARE COPPER LHL.

INSULATION: PROPRIETARY FORMULATION PVC 0.010" NOM. WALL MEETS VW-1 FLAME REQUIREMENT.

DIAMETER: 0.053" ± 0.003".

RESISTANCE: 16.7 OHMS MAX. @ 20°C, PER 1000 FT.

VOLTAGE RATING: 600 VOLTS RMS, DEPENDING ON SPECIFICATION.

AVAILABLE AS RoHS COMPLIANT.



www.abhmf.com
 E-mail: abhinfo@abhmf.com
 Architectural Builders Hardware Mfg., Inc.
 1222 Ardmore Ave., Itasca, IL 60143
 630.875.9900; FAX 800.9FAXABH (932.9224)

A120-EA OPTION, EASY ACCESS CONCEALED ELECTRIFICATION WITH FRAME MTG SLOTS-2-01.DWG
A120HD/LL
 "EA" OPTION, EASY ACCESS
 WITH FRAME MOUNTING SLOTS
 © 2023 ABH Mfg., Inc. printed in USA
 PAGE 2 OF 2
 REVISED 03-16-23