

# B1 - TOP PIVOT HINGE ORDER FORM

ORDER DATE:

CUSTOMER NAME:

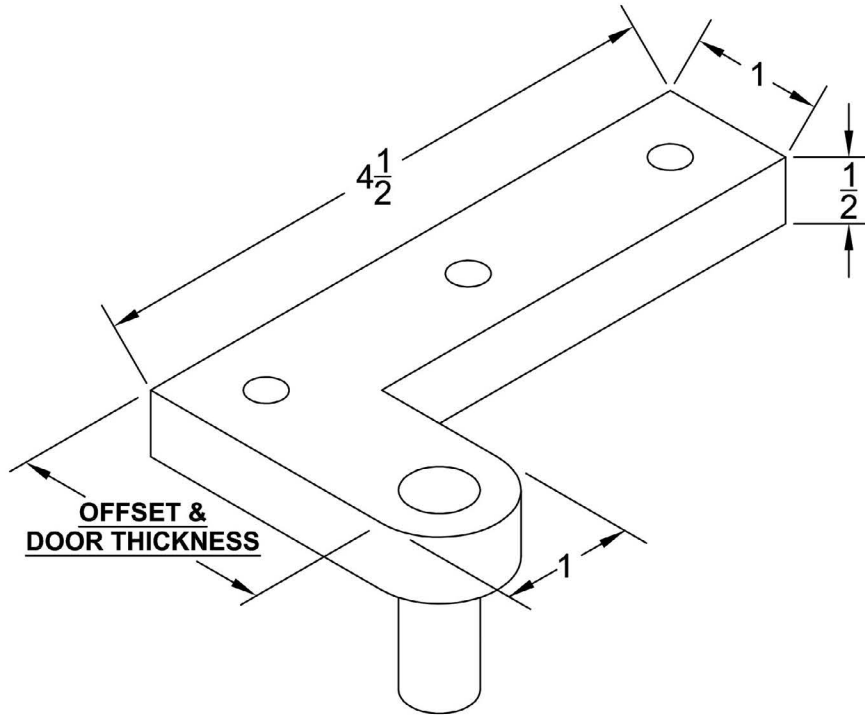
CUSTOMER P.O. NO.:

CUSTOMER SIGNATURE:

QUANTITY:

QTY. LEFT HAND:

QTY RIGHT HAND:



RIGHT HAND SHOWN  
SCREW: 1-1/4 x #12

THRUST BEARINGS AND/OR  
NEEDLE BEARINGS ADDED FOR  
EXCESSIVE WEIGHT AND HEIGHT

(?) PROJECTION DETERMINED BY JOB CONDITION

ALTERNATE FOR DOORS OVER 200 lbs.  
IS 1/2" x 1" STOCK - 1-1/2" x #14 SCREWS

**ALL PIVOTS ARE CUSTOM MADE TO SUIT JOB CONDITION**

## DOOR THICKNESS

1-3/4"

2-1/4"

OTHER

## OFFSET

3/8"

3/4"

OTHER

**ABH**<sup>®</sup>  
MANUFACTURING INC.

[www.abhmfg.com](http://www.abhmfg.com)

E-mail: [abhinfo@abhmfg.com](mailto:abhinfo@abhmfg.com)

Architectural Builders Hardware Mfg., Inc.

1222 Ardmore Ave., Itasca, IL 60143

630-875-9900 • FAX 800-9FAXABH (932-9224)

ABH07072021

**ALL PIVOTS ARE CUSTOM MADE TO SUIT JOB CONDITION**