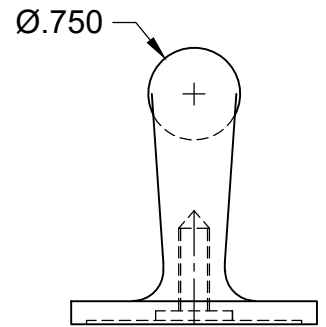
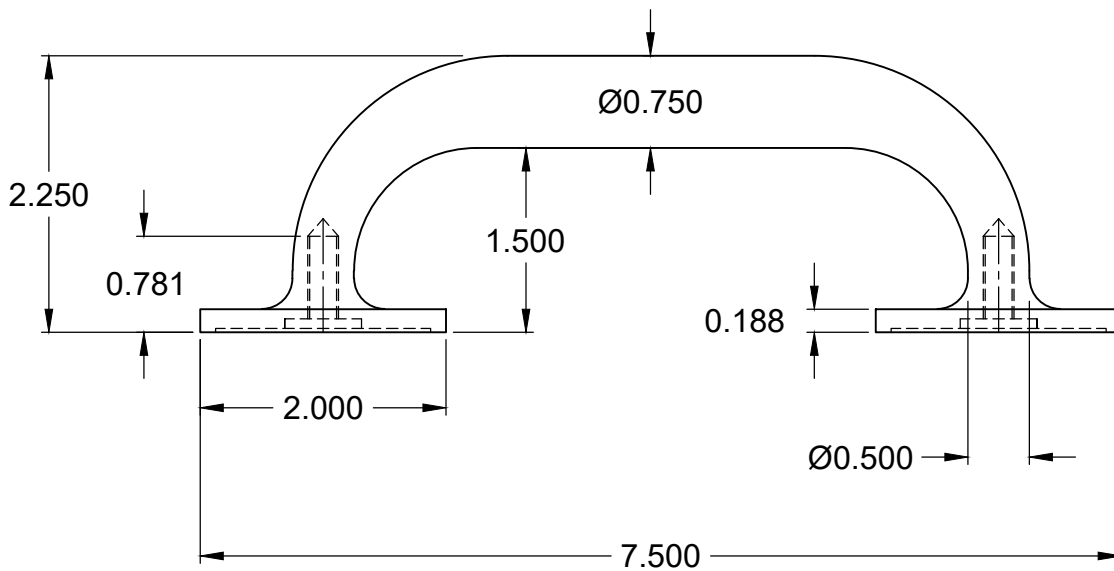
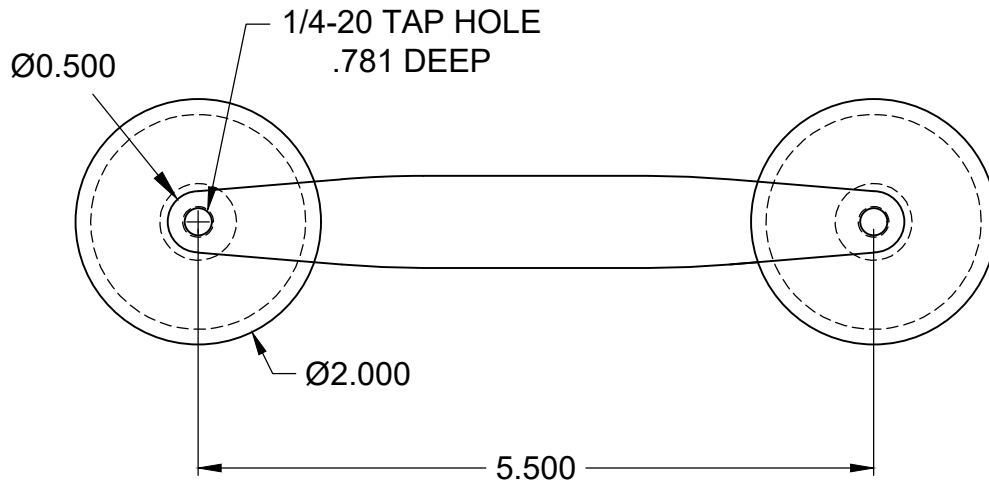


# 18130 PULL



## NOTES:

1. THIS PART IS SYMMETRICAL
2. ALL DIMENSIONS ARE IN INCHES.



www.abhmfg.com  
E-mail: abhinfo@abhmfg.com  
Architectural Builders Hardware Mfg., Inc.  
1222 Ardmore Ave., Itasca, IL 60143  
630.875.9900; FAX 800.9FAXABH (932.9224)

©2015 ABH Mfg., Inc.  
printed in USA

18130 PULL-00.DWG

# 18130

PAGE 1 OF 1  
ISSUED 12-10-15