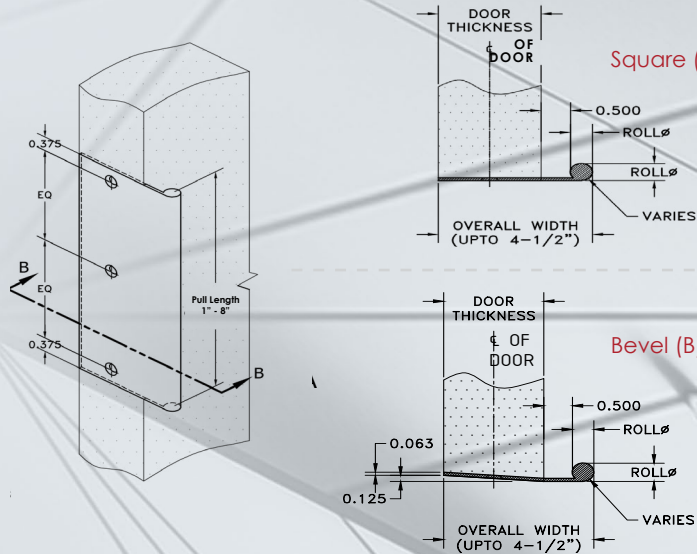
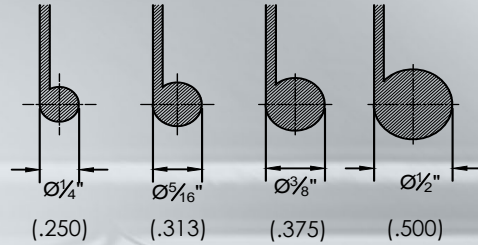
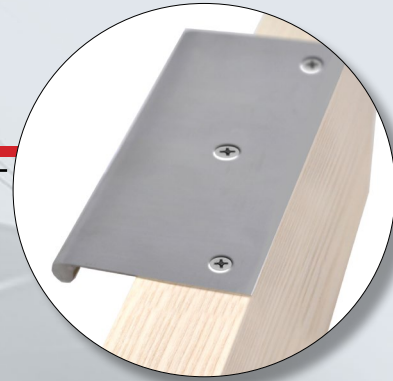


18300

Custom
Stainless Steel
Round Edge Pull



Note:

1. All Dimensions are in inches
2. Material: S.S. 0.0625 Thick
3. Screw: #6 x 5/8"
4. Finishes:
US3, US4, US9, US10, US10B, US32, US32D
5. Square (S) or Bevel (B) option

Contact Factory for custom finishes

Order Form Below (see example)

Series #	Dia.	Door Thick	Length	S/B	Qty.
(example) 18300	.250	1.75	6"	S	25
1.					
2.					
3.					