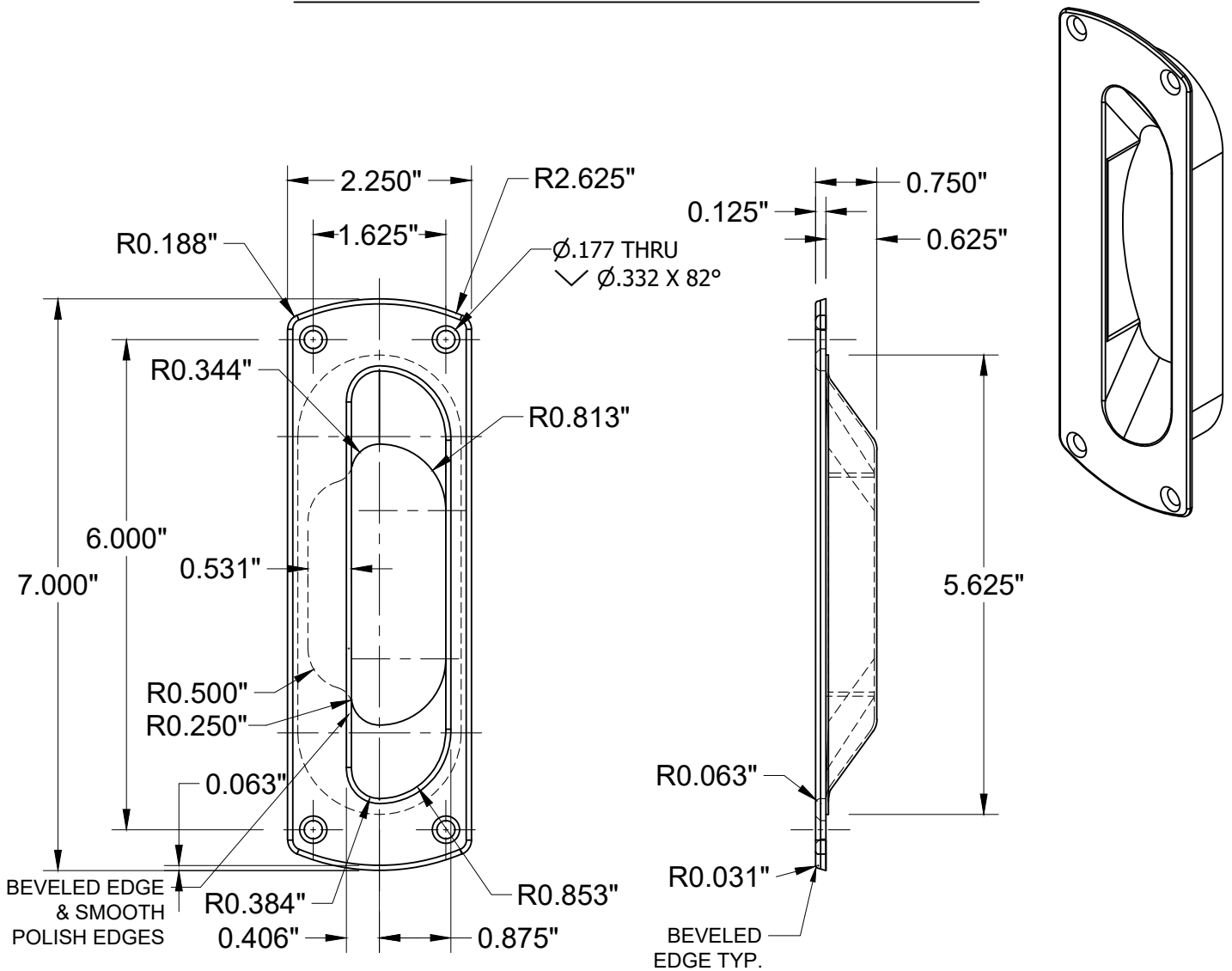
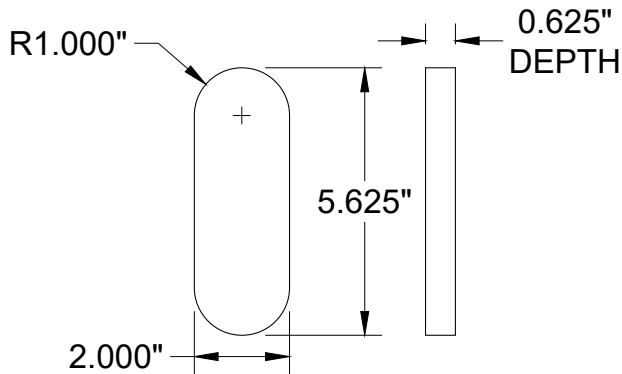


1911 FLUSH DOOR PULL



WOOD DOOR PREP



NOTES:

1. ALL DIMENSIONS ARE IN INCHES
2. DO NOT SCALE DRAWING
3. 7" LONG x 2-1/4" WIDE
4. FLUSH TO FACE OF THE DOOR - NO PROJECTION TO ELIMINATE LIGATURE POINTS

QTY	SCREW DETAIL
4	#8 x 1" PHILLIPS FLAT HEAD UNDERCUT SHEET METAL SCREW S.S. (WOOD)