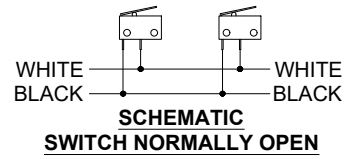
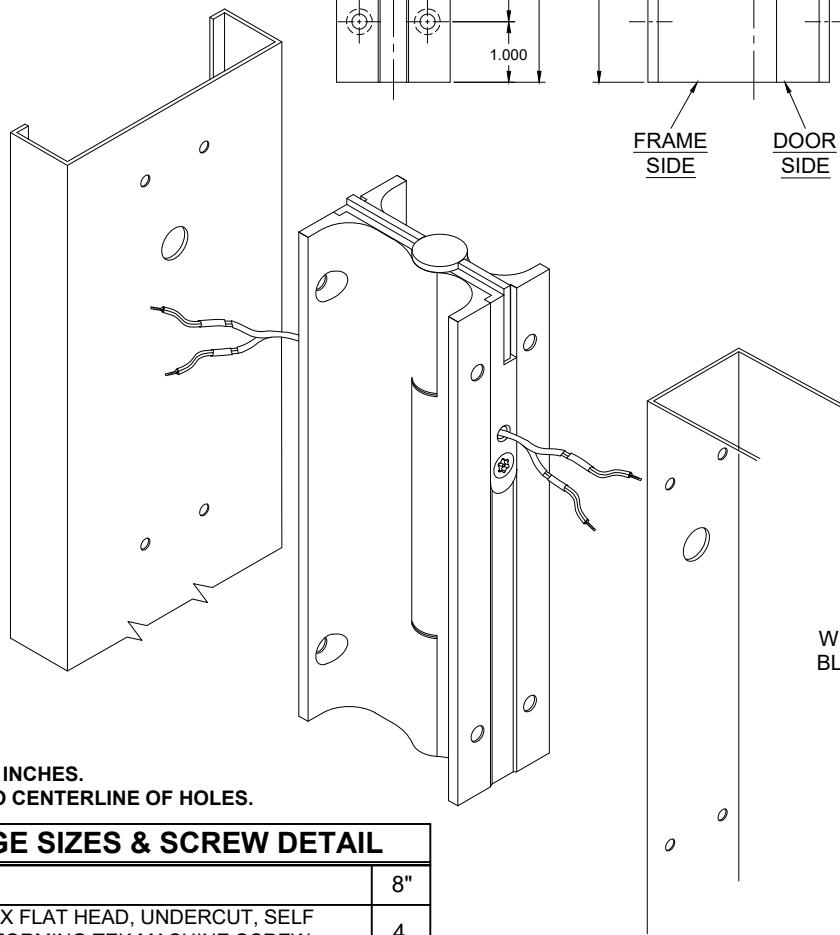
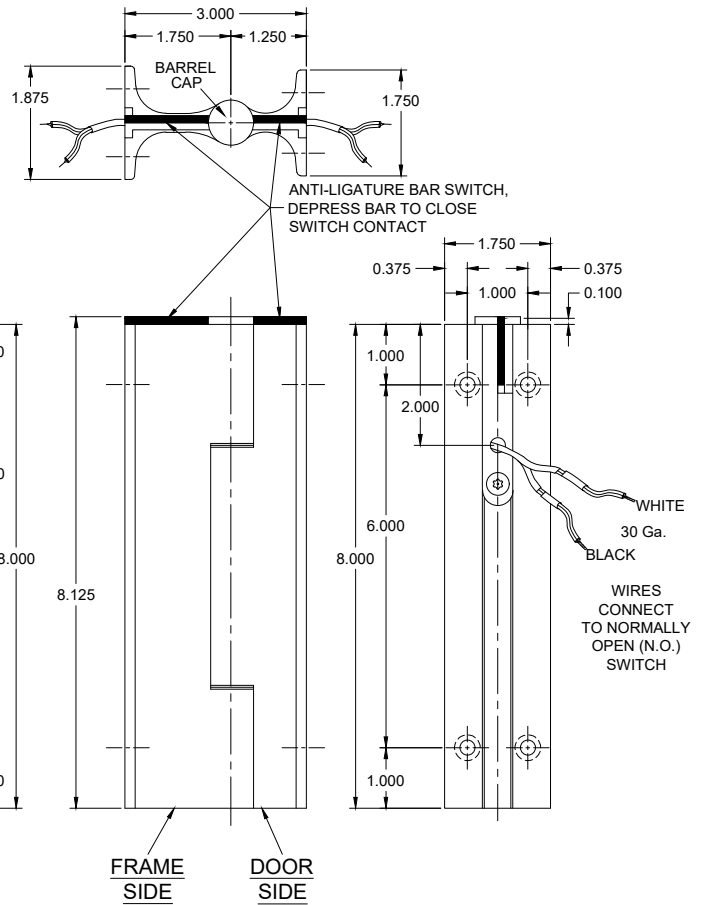
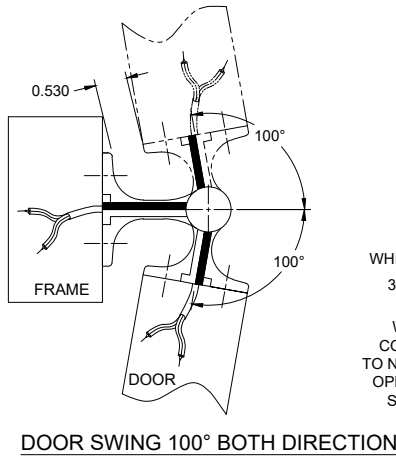
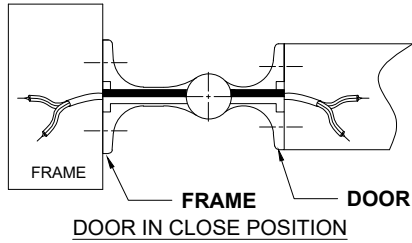


A507- 8 INCH ANTI-LIGATURE DOUBLE SWING ALUMINUM HINGE W/ ALARM TOP



- NOTES:**
 1. ALL DIMENSIONS ARE IN INCHES.
 2. ALL DIMENSIONS ARE TO CENTERLINE OF HOLES.

STANDARD HINGE SIZES & SCREW DETAIL		
ACTUAL HINGE LENGTH		8"
FRAME	12-24 x 3/4" PIN TORX FLAT HEAD, UNDERCUT, SELF DRILLING, THREAD FORMING TEK MACHINE SCREW	4
DOOR	12-24 x 3/4" PIN TORX FLAT HEAD, UNDERCUT, SELF DRILLING, THREAD FORMING TEK MACHINE SCREW	4

A507- 8 INCH ANTI-LIGATURE DOUBLE SWING ALUMINUM HINGE W TOP ALARM-05.DWG



www.abhmf.com
 E-mail: abhinfo@abhmf.com
 Architectural Builders Hardware Mfg., Inc.
 1222 Ardmore Ave., Itasca, IL 60143
 630.875.9900; FAX 800.9FAXABH (932.9224)

A507- 8 INCH ANTI-LIGATURE DOUBLE SWING ALUMINUM HINGE W/ ALARM TOP

© 2021 ABH Mfg., Inc.
 printed in USA