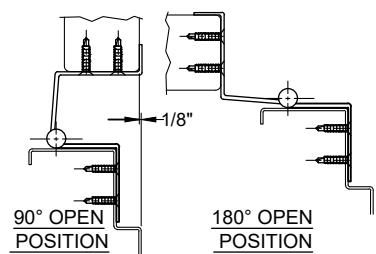
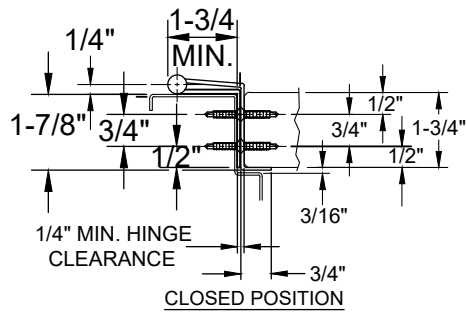
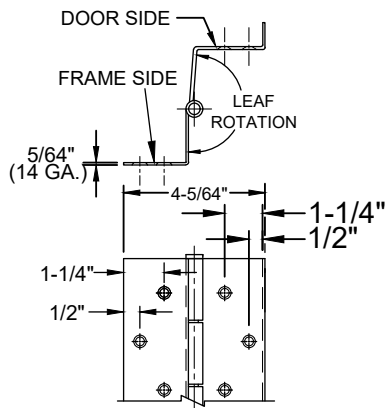
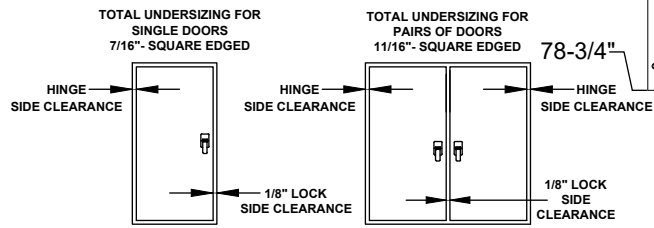


A529 - STAINLESS STEEL HINGE, SWING CLEAR WITH EDGE GUARD FOR SQUARE EDGE DOOR



TOTAL DOOR UNDERSIZING*



78-3/4" (HANDING REQUIRED)	83-1/8"	85" (HANDING REQUIRED)	95"	118-3/4"
0	0	0	0	0
1-1/16"		1"		7/8"
2-9/16"		2-1/2"		2-3/8"
4-1/16"		4"		3-7/8"
5-9/16"		5-1/2"		5-3/8"
8-9/16"		8-1/2"		8-3/8"
11-9/16"		11-1/2"		11-3/8"
17-9/16"		17-1/2"		17-3/8"
23-9/16"		23-1/2"		23-3/8"
29-9/16"		29-1/2"		29-3/8"
35-9/16"		35-1/2"		35-3/8"
41-9/16"		41-1/2"		41-3/8"
47-9/16"		47-1/2"		47-3/8"
53-9/16"		53-1/2"		53-3/8"
59-9/16"		59-1/2"		59-3/8"
65-9/16"		65-1/2"		65-3/8"
71-9/16"		71-1/2"		71-3/8"
77-9/16"		77-1/2"		77-3/8"
79-1/16"				83-3/8"
80-9/16"				89-3/8"
82-1/16"				95-3/8"
83-1/8"				101-3/8"
		85"		107-3/8"
				110-3/8"
				113-3/8"
				114-7/8"
				116-3/8"
				117-7/8"
				118-3/4"

HINGE MODEL	SINGLE DOOR- SQUARE EDGED TOTAL UNDERSIZE	PAIRS OF DOORS SQUARE EDGED TOTAL UNDERSIZE
A529	7/16" **	11/16" **

NOTE: ALL HINGE MODELS WITH A DOOR EDGE WRAP ARE NOT RECOMMENDED FOR USE ON DOORS THAT HAVE A BEVELED DOOR EDGE ON THE HINGE SIDE.

* REFER TO WWW.ABHMFG.COM FOR COMPLETE DOOR CLEARANCE CHART
** 1/16" FRAME IRREGULARITY INCLUDED (OPTIONAL)- NOT PERMITTED BY NFPA80

STANDARD HINGE SIZES & SCREW DETAIL					
NOMINAL DOOR HEIGHT	6'8"	7'0"	7'2"	8'0"	10'0"
ACTUAL HINGE HEIGHT	78-3/4"	83-1/8"	85"	95"	118-3/4"
10-24 x 3/4" PHILLIPS FLAT HEAD, UNDERCUT, SELF-DRILLING MACHINE SCREW	42	42	42	46	54
#10 x 1-1/4" PHILLIPS FLAT HEAD, UNDERCUT, SHEET METAL SCREW	42	42	42	46	54

NOTE: HINGES CUT TO CUSTOM LENGTH ARE CUT FROM THE BOTTOM - PLEASE SPECIFY HANDING

THIS DRAWING IS NOT TO SCALE



www.abhmfg.com
E-mail: abhinfo@abhmfg.com
Architectural Builders Hardware Mfg., Inc.
1222 Ardmore Ave., Itasca, IL 60143
630.875.9900; FAX 800.9FAXABH (932.9224)

© 2022 ABH Mfg., Inc.
printed in USA

A529-STAINLESS STEEL HINGE-03.DWG

**A529
STAINLESS STEEL HINGE**

PAGE 1 OF 1
ISSUED 11-10-22