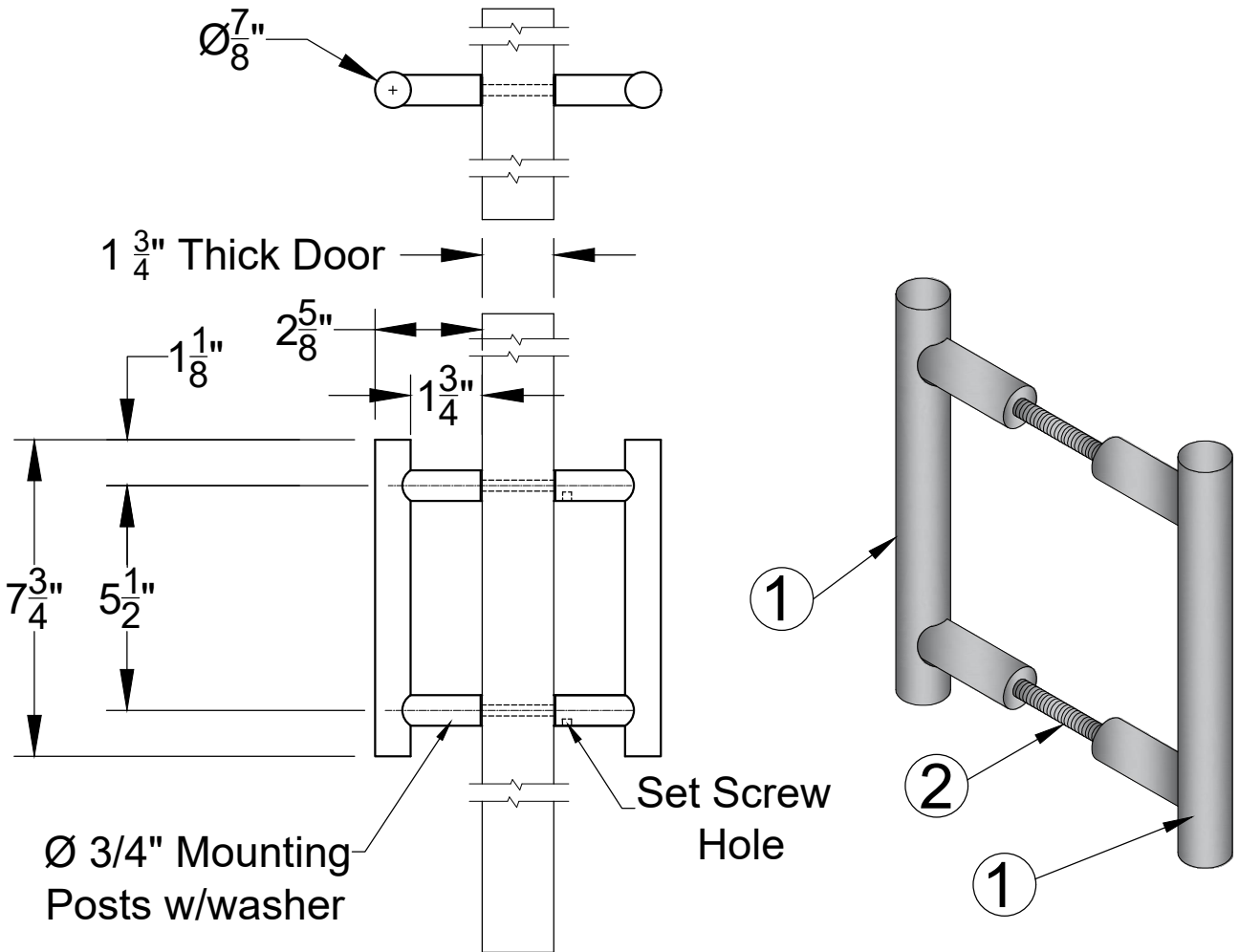


# AB7200 PULL HANDLE

## NOTES:

1. ALL DIMENSIONS ARE IN INCHES.
2. DO NOT SCALE DRAWING.
3. PART IS SYMMETRICAL.
4. MATERIAL: STAINLESS STEEL
5. MOUNTING HOLE DIA. 3/8"



## PULL HANDLE

ITEM	QTY.	DESCRIPTION
1	2	AB7200 PULL HANDLE
2	2	1-3/4" DOOR STAND OFF CONEHEAD SCRW

AB7200-00.DWG

**ABH**  
MANUFACTURING INC.

www.abhmfg.com  
E-mail: abhinfo@abhmfg.com  
Architectural Builders Hardware Mfg., Inc.  
1222 Ardmore Ave., Itasca, IL 60143  
630.875.9900; FAX 800.9FAXABH (932.9224)

© 2021 ABH Mfg., Inc.  
printed in USA

**AB7200**  
**PULL HANDLE**

PAGE 1 OF 1  
ISSUED 01-06-21