

ORDER DATE:

CUSTOMER NAME:

CUSTOMER P.O. #:

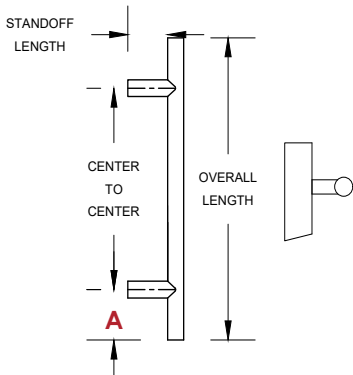
CUSTOMER CONTACT:

QUANTITY:

FINISH:    US32D    US10B    US3    US4    US10    US32  
                   BLACK SUEDE POWDER    WHITE SUEDE POWDER    OTHER

FLAT End Model#		ROUND End Models#	
<p style="color: #00a0e3; margin: 0;"><b>Straight Pull - Flat End</b></p> <p style="margin: 0;">AB3300 -1" Dia. AB3301 -1¼" Dia. AB3302 -1½" Dia.</p>	<p style="color: #00a000; margin: 0;"><b>Offset Pull - Flat End</b></p> <p style="margin: 0;">AB3310 -1" Dia. AB3311 -1¼" Dia. AB3312 -1½" Dia.</p>	<p style="color: #00a0e3; margin: 0;"><b>Straight Pull - Round End</b></p> <p style="margin: 0;">AB3320 -1" Dia. AB3321 -1¼" Dia. AB3322 -1½" Dia.</p>	<p style="color: #00a000; margin: 0;"><b>Offset Pull - Round End</b></p> <p style="margin: 0;">AB3330 -1" Dia. AB3331 -1¼" Dia. AB3332 -1½" Dia.</p>

**Flat End - Straight Pull**



Overall Length:  
Center-To-Center:

**A** = End of Pull to Center of Standoff

**STANDARD STANDOFF LOCATIONS**

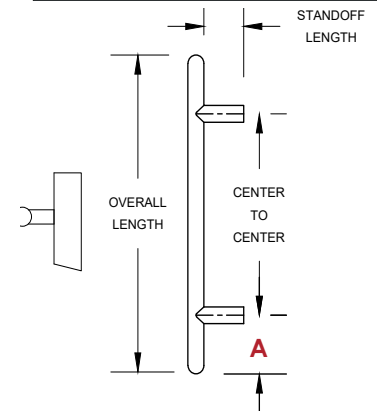
- 12"-36" (2 Standoffs) - **A=3"**
- 37"-72" (2 Standoffs) - **A=6"**
- 73"-96" (3 Standoffs) - **A=3"**  
(3rd Standoff centered in height)

Other

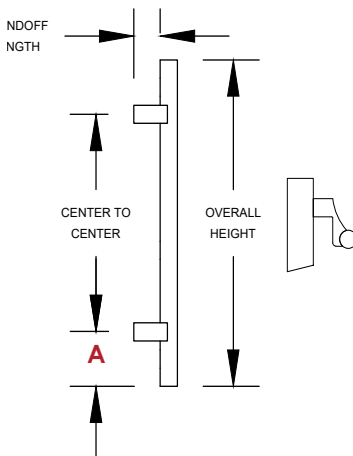
**STANDOFF LENGTH**

1¾" (Standard)    2½"

**Round End - Straight Pull**



**Flat End - Offset**



**DOOR THICKNESS**

½" -Glass    1¾"    2¼"    Other

**MOUNTING OPTIONS**

Wood or Metal Doors

Glass Doors

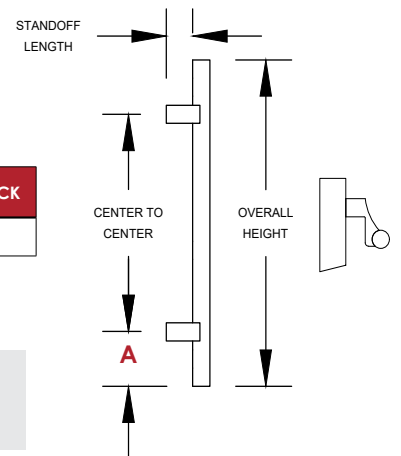
SINGLE SIDE THRU-BOLT	SINGLE SIDE CONCEALED	BACK-TO-BACK	SINGLE SIDE THRU-BOLT	BACK-TO-BACK
1HD	6HD	5HD	15HD	13HD
12HD	8HD			

See page 2 for details

**ENGRAVING OPTIONS**

Push Side    Pull Side    Push/Pull (Back-to-back)

**Round End - Offset**



# MOUNTING OPTIONS FOR ABH CUSTOM PULL HANDLES

## FOR:

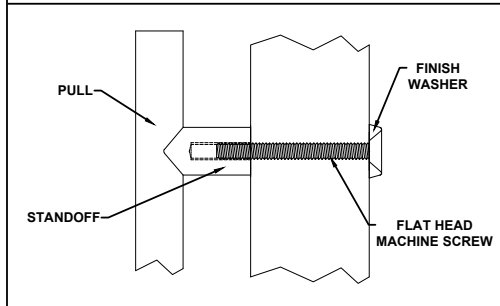
**AB3300 (Ø1), AB3301 (Ø1-1/4"), AB3302 (Ø1-1/2")**

**AB3310 (Ø1), AB3311 (Ø1-1/4"), AB3312 (Ø1-1/2")**

**AB3320 (Ø1), AB3321 (Ø1-1/4"), AB3322 (Ø1-1/2")**

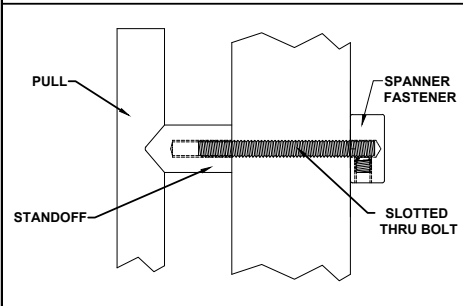
**AB3330 (Ø1), AB3331 (Ø1-1/4"), AB3332 (Ø1-1/2")**

**TYPE 1 - THRU BOLT W/ FINISH WASHER  
(WOOD OR METAL DOORS)**



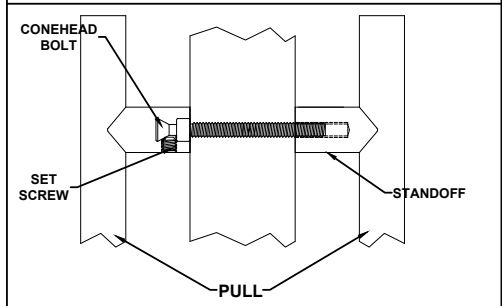
Type	Bolt Size	Drill Size
1HD	5/16-18	11/32"

**TYPE 12 - DECORATIVE THRU BOLT  
(WOOD OR METAL DOORS)**



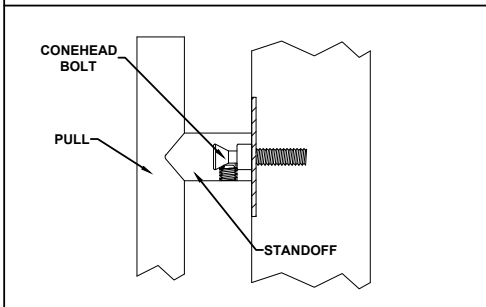
Type	Bolt Size	Drill Size
12HD	5/16-18	11/32"

**TYPE 5 - BACK-TO-BACK MOUNTING  
(WOOD OR METAL DOORS)**



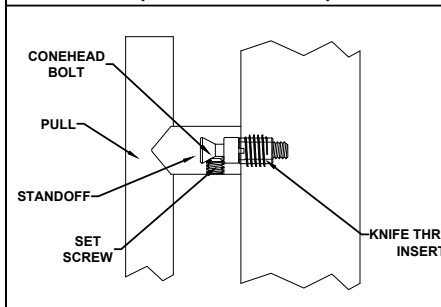
Type	Bolt Size	Drill Size
5HD	5/16-18	11/32"

**TYPE 6 - SURFACE CONCEALED  
(METAL DOORS W/ REINFORCEMENT)**



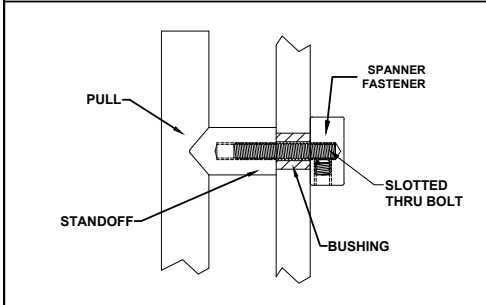
Type	Bolt Size	Drill Size
6HD	5/16-18	5/16-18 TAP

**TYPE 8 - SURFACE CONCEALED  
(WOOD DOORS)**



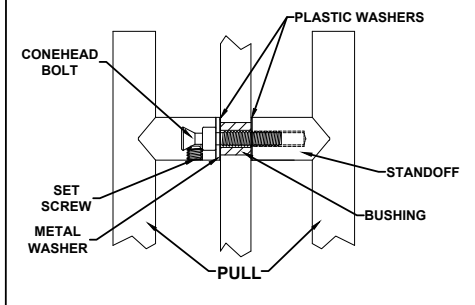
Type	Bolt Size	Drill Size
8HD	5/16-18	7/16"-9/16 DP.

**TYPE 15 - DECORATIVE THRU BOLT  
(GLASS DOORS)**



Type	Bolt Size	Drill Size
15HD	5/16-18	5/8"

**TYPE 13 - BACK-TO-BACK MOUNTING  
(GLASS DOORS)**



Type	Bolt Size	Drill Size
13HD	5/16-18	11/32"

AB3300-00 DWG

[www.abhmfg.com](http://www.abhmfg.com)

Architectural Builders Hardware Mfg., Inc.

1222 Ardmore Ave., Itasca, IL 60143

630-875-9900 • FAX 800-9FAXABH (932-9224)

- Download File from Website
- Fill out form
- Attach and SUBMIT

ABH03312022rev51922