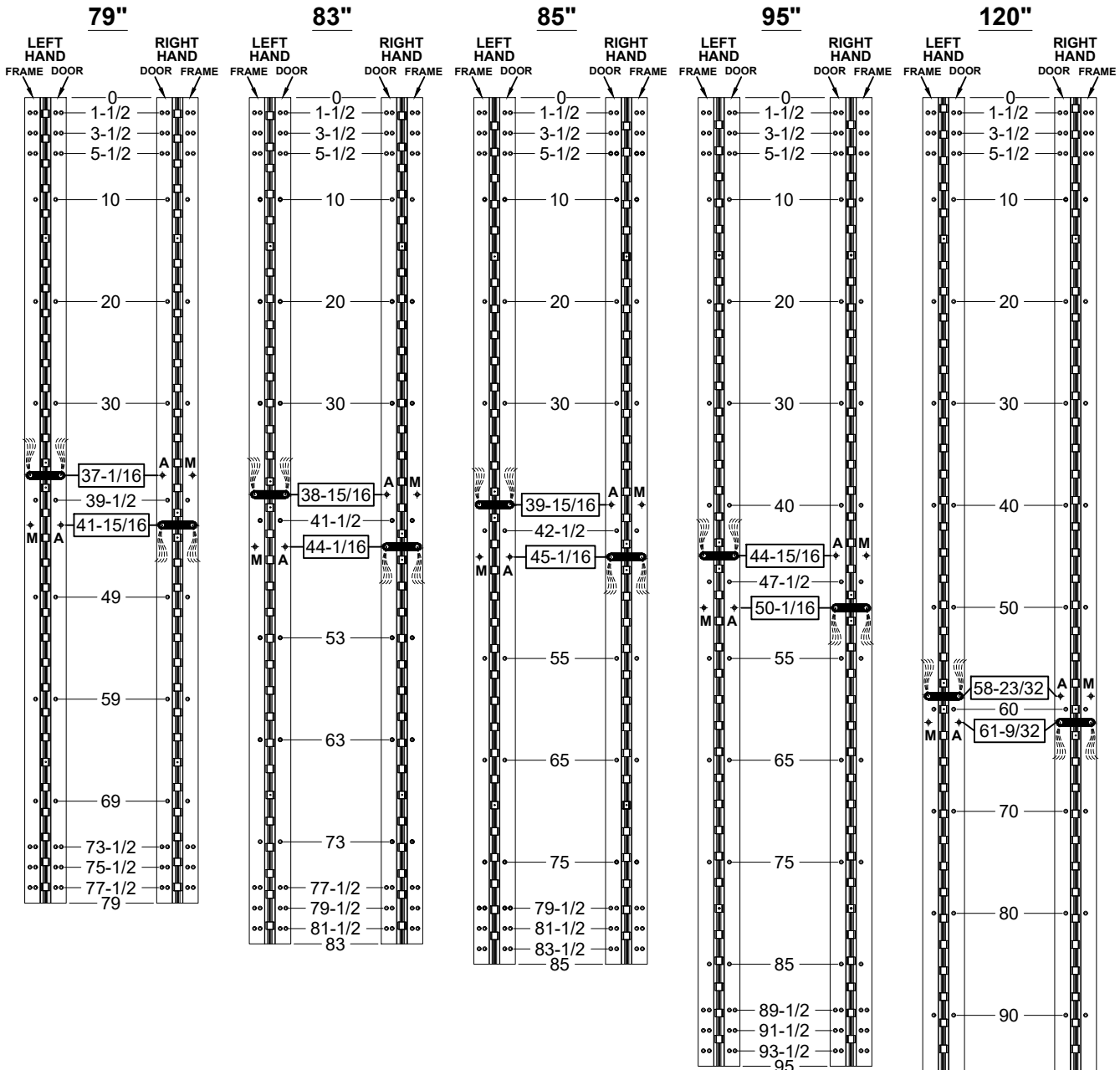


**A110HD - "MT" OPTION, CONCEALED ELECTRIFICATION, FULL CONCEALED,  
ALUMINUM GEARED HINGE**



**M = MONITOR SWITCH SIDE**  
**A = ADJUSTMENT SCREW SIDE**



**STANDARD HINGE SIZES & SCREW DETAIL**

NOMINAL DOOR HEIGHT	6'8"	7'0"	7'2"	8'0"	10'0"
ACTUAL HINGE LENGTH	79"	83"	85"	95"	120"
FRAME	12-24 x 3/4" PHILLIPS FLAT HEAD, UNDERCUT, SELF DRILLING, THREAD FORMING TEK MACHINE SCREW				
DOOR	19	19	19	21	23

A110HD-MT OPTION, CONCEALED ELECTRIFICATION-1-02

**ABH**<sup>®</sup> [www.abhmfg.com](http://www.abhmfg.com)  
**MANUFACTURING INC.**

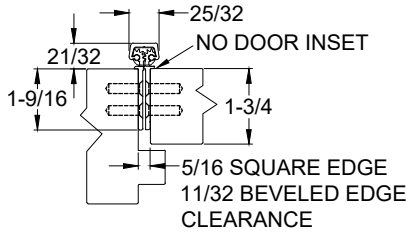
E-mail: [abhinfo@abhmfg.com](mailto:abhinfo@abhmfg.com)  
Architectural Builders Hardware Mfg., Inc.  
1222 Ardmore Ave., Itasca, IL 60143  
630.875.9900; FAX 800.9FAXABH (932.9224)

© 2020 ABH Mfg., Inc.  
printed in USA

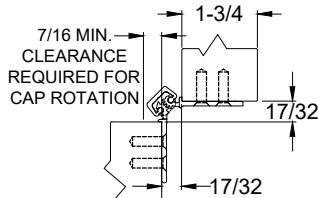
**A110HD - "MT" OPTION  
CONCEALED ELECTRIFICATION**

PAGE 1 OF 2  
REVISED 9-23-20

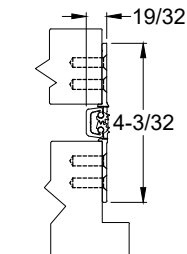
**A110HD - "MT" OPTION, CONCEALED ELECTRIFICATION, FULL CONCEALED,  
ALUMINUM GEARED HINGE**



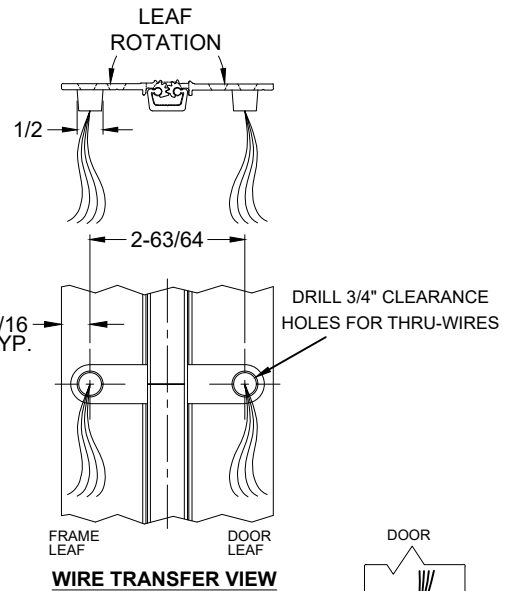
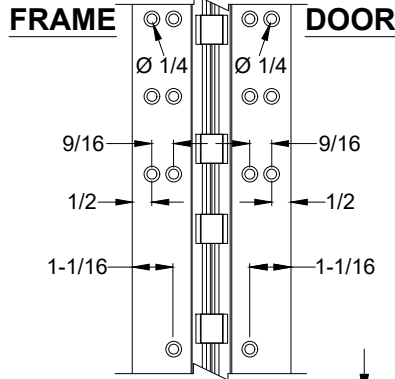
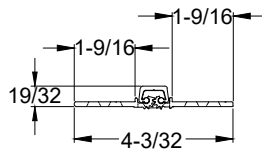
**CLOSED POSITION**



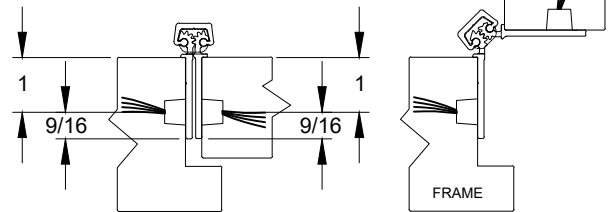
**90° OPENING**



**180° OPENING**



**WIRE TRANSFER VIEW**



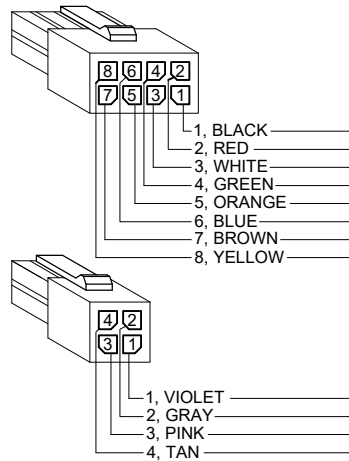
**WIRE TRANSFER VIEW**

**NOTES:**

- HINGES CUT TO CUSTOM LENGTH ARE CUT FROM BOTTOM OF HINGE.
- SPECIFY HANDING WHEN ORDERING.
- SPECIFY WIRE CONFIGURATION WHEN ORDERING, TEMPLATE REMAINS THE SAME.
 

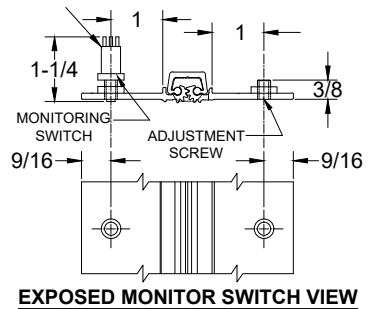
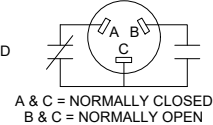
● TW4	● EZ4 *
● TW8	● EZ8 *
● TW12	● EZ12 *
- IF "M" OPTION (MOVEABLE PANEL) OR "R" OPTION (REMOVABLE PANEL) IS CHOSEN, TEMPLATE REMAINS THE SAME.
- 30 AWG WIRES, APPROX. 4" LONG PER SIDE, RATED 2 AMP CONTINUOUS LOW VOLTAGE

**EZ CONNECT OPTION**

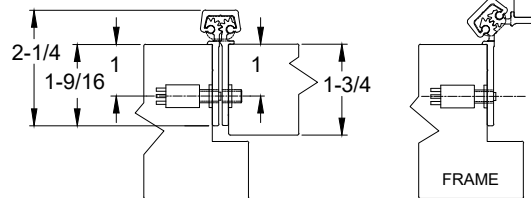


NOTE: 5/8" DIA. HOLE REQUIRED IN JAMB FOR MONITORING SWITCH AND A 7/16" DIA. HOLE FOR CLEARANCE OF ADJUSTMENT SCREW

**SWITCH SCHEMATIC**



**EXPOSED MONITOR SWITCH VIEW**



**EXPOSED MONITOR SWITCH VIEW**

A110HD-MT OPTION, CONCEALED ELECTRIFICATION-2-02



www.abhmfg.com  
E-mail: abhinfo@abhmfg.com  
Architectural Builders Hardware Mfg., Inc.  
1222 Ardmore Ave., Itasca, IL 60143  
630.875.9900; FAX 800.9FAXABH (932.9224)

© 2020 ABH Mfg., Inc.  
printed in USA

**A110HD - "MT" OPTION  
CONCEALED ELECTRIFICATION**

PAGE 2 OF 2  
REVISED 9-23-20