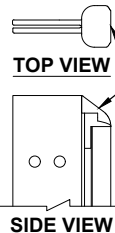
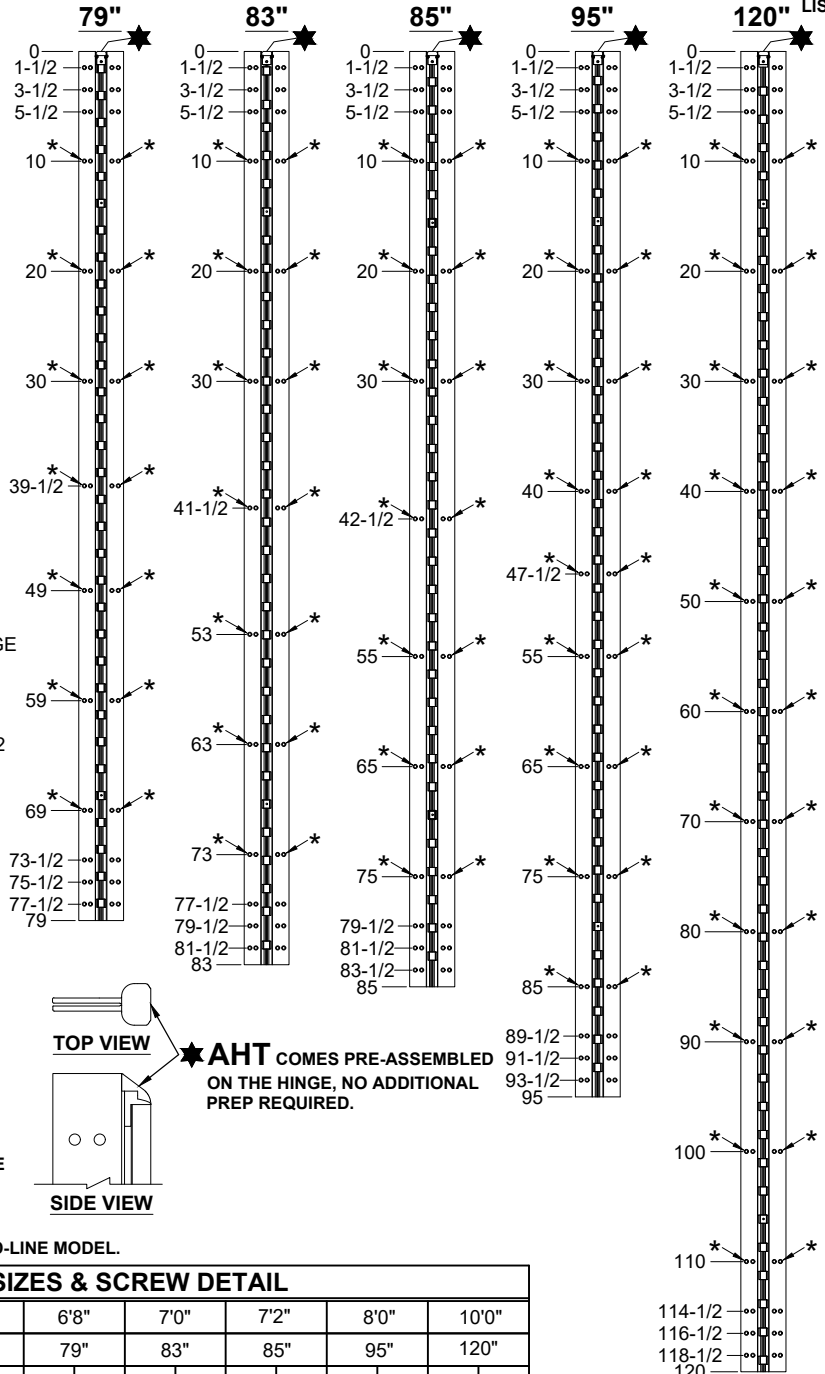
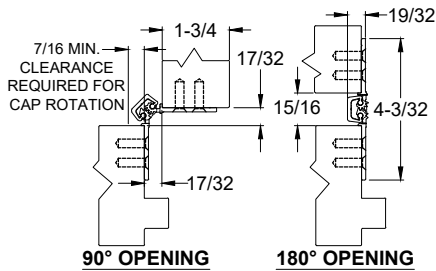
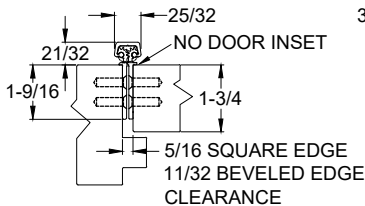
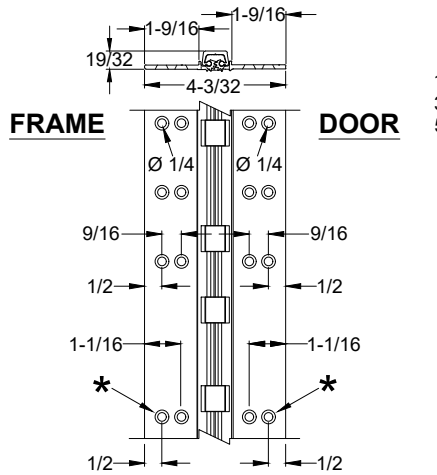


**A110HD / A110LL - "AHT" OPTION, ADVANCED HOSPITAL TIP, ALUMINUM GEARED HINGE, FLUSH MOUNT, FULL CONCEALED**



**AHT** COMES PRE-ASSEMBLED ON THE HINGE, NO ADDITIONAL PREP REQUIRED.

- NOTES:**
- HINGES CUT TO CUSTOM LENGTH ARE CUT FROM THE BOTTOM. PLEASE SPECIFY HANDING.
  - ALL DIMENSIONS ARE IN INCHES.
  - ALL DIMENSIONS ARE TO CENTERLINE OF HOLES.
  - \* = DENOTES EXTRA MOUNTING HOLE FOR THE LEAD-LINE MODEL.

STANDARD HINGE SIZES & SCREW DETAIL											
NOMINAL DOOR HEIGHT		6'8"		7'0"		7'2"		8'0"		10'0"	
ACTUAL HINGE LENGTH		79"		83"		85"		95"		120"	
		HD	LL	HD	LL	HD	LL	HD	LL	HD	LL
FRAME	12-24 x 3/4" PHILLIPS FLAT HEAD, UNDERCUT, SELF DRILLING, THREAD FORMING TEK MACHINE SCREW	19	26	19	26	19	26	21	30	23	34
DOOR	12-24 x 3/4" PHILLIPS FLAT HEAD, UNDERCUT, SELF DRILLING, THREAD FORMING TEK MACHINE SCREW	19	26	19	26	19	26	21	30	23	34



www.abhmfg.com  
 E-mail: abhinfo@abhmfg.com  
 Architectural Builders Hardware Mfg., Inc.  
 1222 Ardmore Ave., Itasca, IL 60143  
 630.875.9900; FAX 800.9FAXABH (932.9224)

A110-AHT OPTION, ADVANCED HOSPITAL TIP-01.DWG

**A110 - "AHT" OPTION**  
 ADVANCED HOSPITAL TIP  
 PAGE 1 OF 1  
 REVISED 10-28-20

© 2020 ABH Mfg., Inc.  
 printed in USA