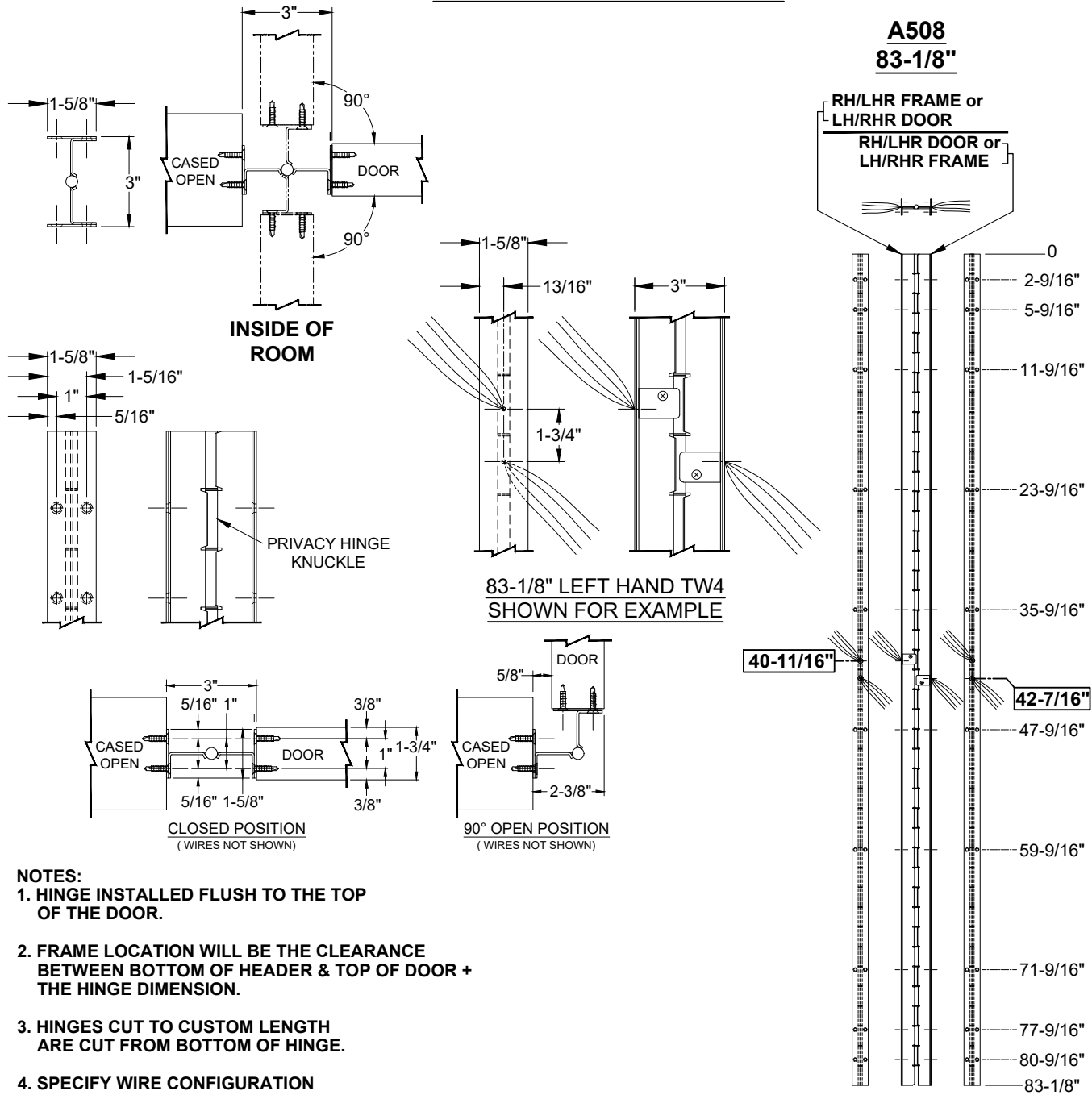


A508 - "TW" or "EZ" OPTION, CONCEALED ELECTRIFICATION, DOUBLE-ACTING STAINLESS STEEL HINGE



NOTES:

1. HINGE INSTALLED FLUSH TO THE TOP OF THE DOOR.
2. FRAME LOCATION WILL BE THE CLEARANCE BETWEEN BOTTOM OF HEADER & TOP OF DOOR + THE HINGE DIMENSION.
3. HINGES CUT TO CUSTOM LENGTH ARE CUT FROM BOTTOM OF HINGE.
4. SPECIFY WIRE CONFIGURATION WHEN ORDERING, TEMPLATE REMAINS THE SAME.
 - TW4 • EZ4 *
 - TW8 • EZ8 *
 - TW12 • EZ12 *
- * SPECIFY ELECTRIFIED HARDWARE MANUFACTURER FOR CONNECTOR COMPABILITY
5. 30 AWG WIRES, APPROX. 4" LONG PER SIDE, RATED 2 AMP CONTINUOUS LOW VOLTAGE.
6. THRU WIRE LOCATION DIMENSIONS +/- 1/16".

THIS DRAWING IS NOT TO SCALE.

STANDARD HINGE SIZES & SCREW DETAIL	
NOMINAL DOOR HEIGHT	7'0"
ACTUAL HINGE HEIGHT	83-1/8"
Pin/Torx® 10-24 x 7/8" PHILLIPS FLAT HEAD, UNDERCUT, SELF-DRILLING TEK MACHINE SECURITY SCREW	40
Pin/Torx® #10 x 1-1/4" PHILLIPS FLAT HEAD, UNDERCUT, SHEET METAL SECURITY SCREW	40

A508-TW or EZ OPTION, CONCEALED ELECTRIFICATION-1-06.DWG



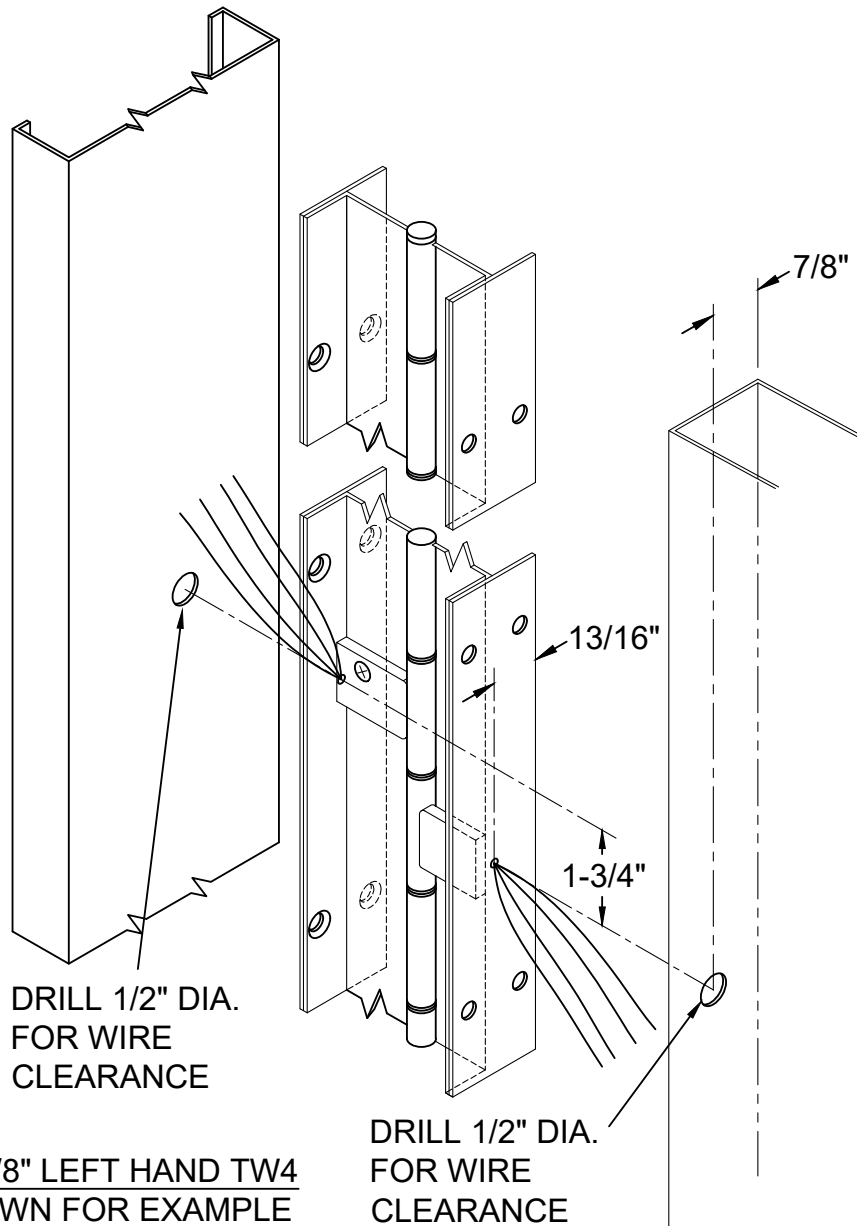
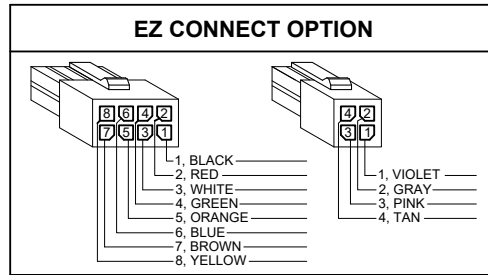
www.abhmfg.com
 E-mail: abhinfo@abhmfg.com
 Architectural Builders Hardware Mfg., Inc.
 1222 Ardmore Ave., Itasca, IL 60143
 630.875.9900; FAX 800.9FAXABH (932.9224)

A508 - "TW" or "EZ" OPTION
 CONCEALED ELECTRIFICATION,
 DOUBLE-ACTING S.S. HINGE

©2022 ABH Mfg., Inc.
 printed in USA

PAGE 1 OF 2
 ISSUED 01-17-22

**A508 - "TW" or "EZ" OPTION, CONCEALED ELECTRIFICATION, DOUBLE-ACTING
STAINLESS STEEL HINGE**



83-1/8" LEFT HAND TW4
SHOWN FOR EXAMPLE

A508-TW or EZ OPTION, CONCEALED ELECTRIFICATION-2-06.DWG



www.abhmfg.com
E-mail: abhinfo@abhmfg.com
Architectural Builders Hardware Mfg., Inc.
1222 Ardmore Ave., Itasca, IL 60143
630.875.9900; FAX 800.9FAXABH (932.9224)

A508 - "TW" or "EZ" OPTION
CONCEALED ELECTRIFICATION,
DOUBLE-ACTING S.S. HINGE

©2022 ABH Mfg., Inc.
printed in USA

PAGE 2 OF 2
ISSUED 01-17-22