

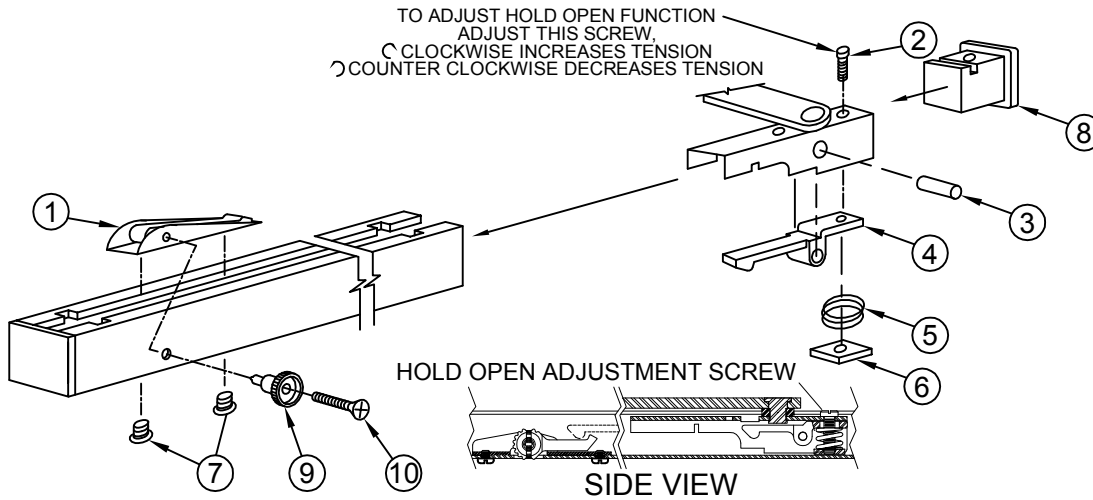
**CONVERSION PART LIST FOR MODELS 1000/1000ADJ/9000/9000ADJ**

ITEM	QTY	DESCRIPTION
1	1	CHANNEL HOLD-OPEN ASSEMBLY
2	1	HOLD-OPEN TENSION SCREW-L.H. THREAD
3	1	3/16 DIA. X .940 LONG PIN
4	1	CAM HOLD-OPEN LEVER
5	1	HOLD-OPEN TENSION SPRING
6	1	HOLD-OPEN TENSION PLATE
7	2	10-32 X 1/4" SCREWS
8	0	END PLUG (NOT SUPPLIED)
9	1	CONTROL KNOB (1000 & 1000A ONLY)
10	1	10-32 X 1" SCREW (1000 & 1000A ONLY)

**1000HO-KIT CONCEALED**

**1000/1000ADJ HOLD-OPEN CONVERSION**

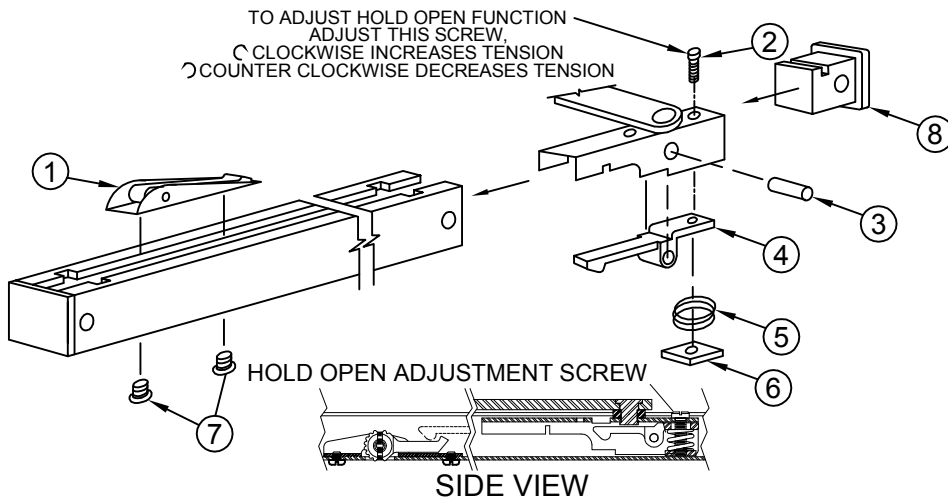
**TO DISASSEMBLE REMOVE END PLUG FROM NON-SPRING END ONLY  
INSTALLED UNITS MUST BE REMOVED FROM DOOR**



**9000HO-KIT SURFACE**

**9000/9000ADJ HOLD-OPEN CONVERSION**

**TO DISASSEMBLE REMOVE END PLUG FROM NON-SPRING END ONLY  
INSTALLED UNITS MUST BE REMOVED FROM DOOR**



® www.abhmfg.com  
E-mail: abhinfo@abhmfg.com  
Architectural Builders Hardware Mfg., Inc.  
1222 Ardmore Ave., Itasca, IL 60143  
630.875.9900; FAX 800.9FAXABH (932.9224)

1000-9000-CON-03.DWG

**1000/9000  
H.O. KIT**

© 2014 ABH Mfg., Inc.  
printed in USA

REVISED 04-14-14