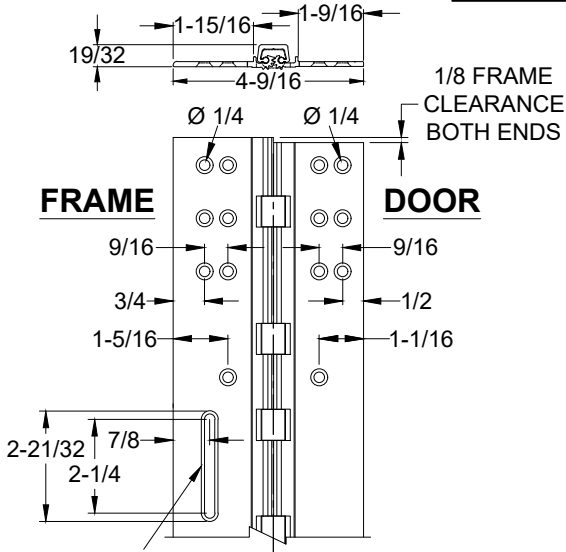
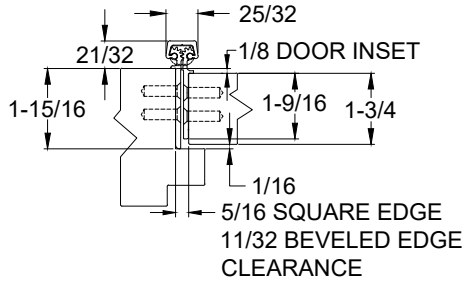


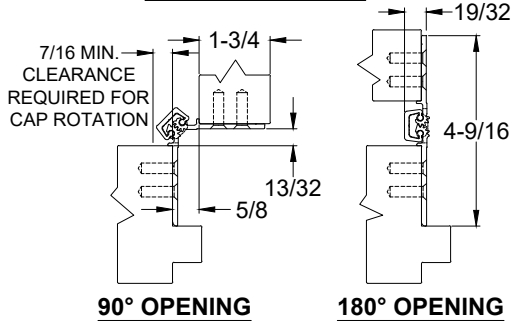
A120HD - ALUMINUM GEARED HINGE, 1/8" INSET, FULL CONCEALED WITH FRAME MOUNTING SLOTS



SLOTTED COUNTERSUNK FOR #12 FLAT HEAD SCREW

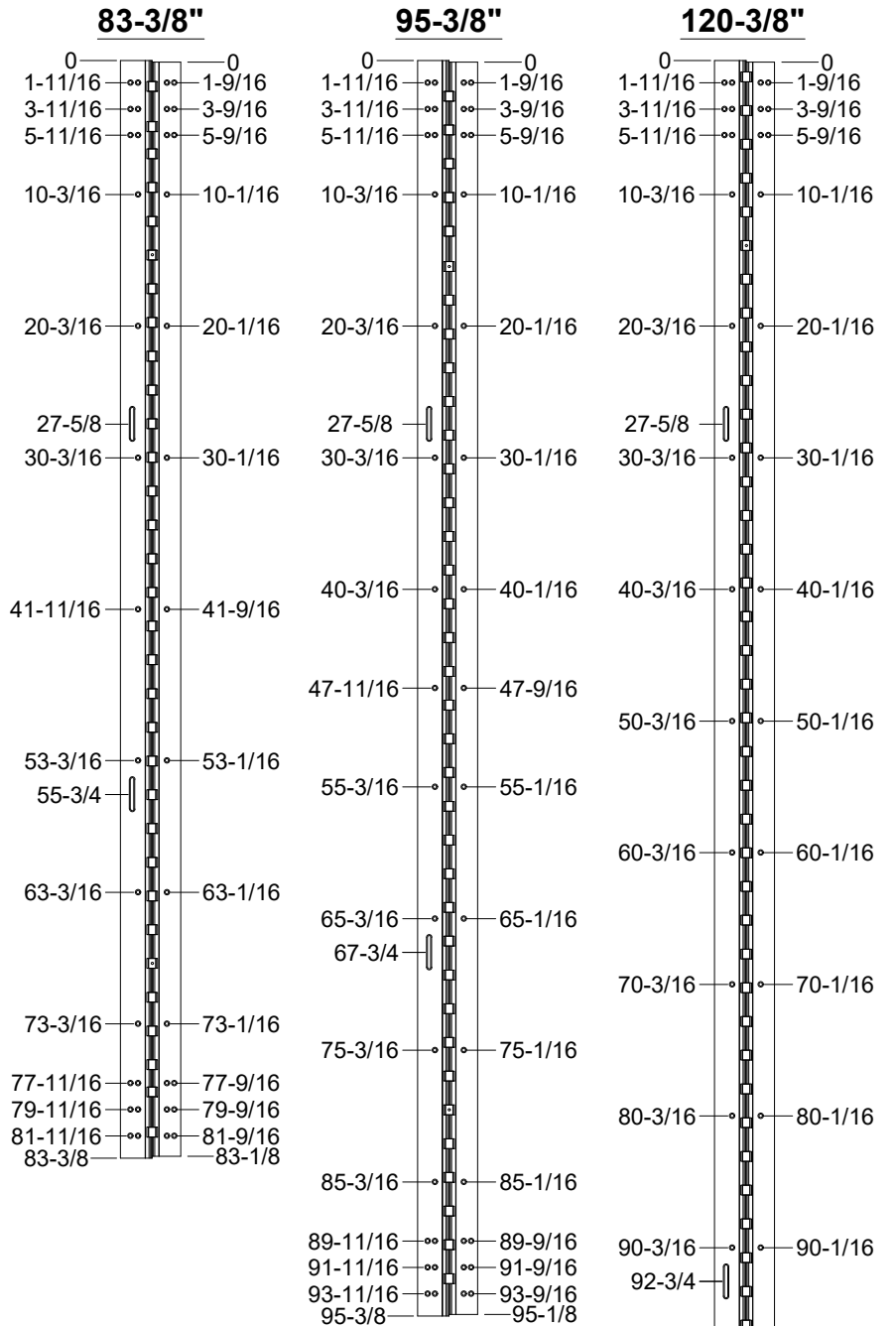


CLOSED POSITION



90° OPENING

180° OPENING



NOTES:

1. HINGES CUT TO CUSTOM LENGTH ARE CUT FROM THE BOTTOM. PLEASE SPECIFY HANDING.
2. ALL DIMENSIONS ARE IN INCHES.
3. ALL DIMENSIONS ARE TO CENTERLINE OF HOLES & SLOTS.



STANDARD HINGE SIZES & SCREW DETAIL

NOMINAL DOOR HEIGHT		7'0"	8'0"	10'0"
ACTUAL HINGE LENGTH		83-3/8"	95-3/8"	120-3/8"
FRAME	12-24 x 3/4" PHILLIPS FLAT HEAD, UNDERCUT, SELF DRILLING, THREAD FORMING TEK MACHINE SCREW	21	23	25
DOOR	12-24 X 3/4" PH. F.H. UNDERCUT SELF DRILLING THREAD FORMING TEK SCREW	19	21	23

A120-ALUMINUM GEARED HINGE WITH FRAME MTG SLOTS-01.DWG



www.abhmf.com
E-mail: abhinfo@abhmf.com
Architectural Builders Hardware Mfg., Inc.
1222 Ardmore Ave., Itasca, IL 60143
630.875.9900; FAX 800.9FAXABH (932.9224)

A120
ALUMINUM GEARED HINGE
WITH FRAME MTG SLOTS

© 2020 ABH Mfg., Inc.
printed in USA

PAGE 1 OF 1
REVISED 09-10-20