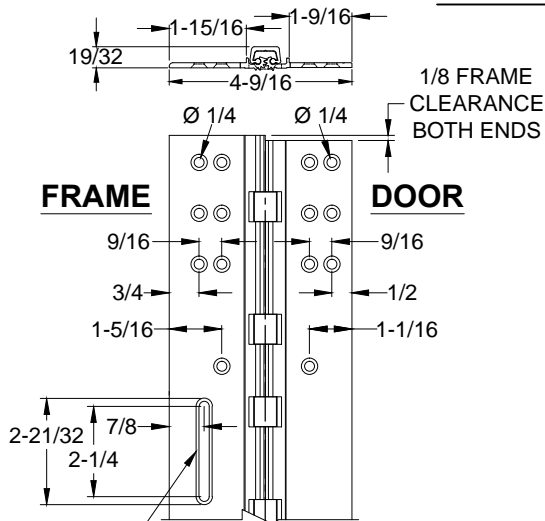
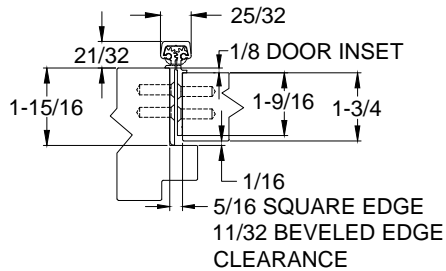


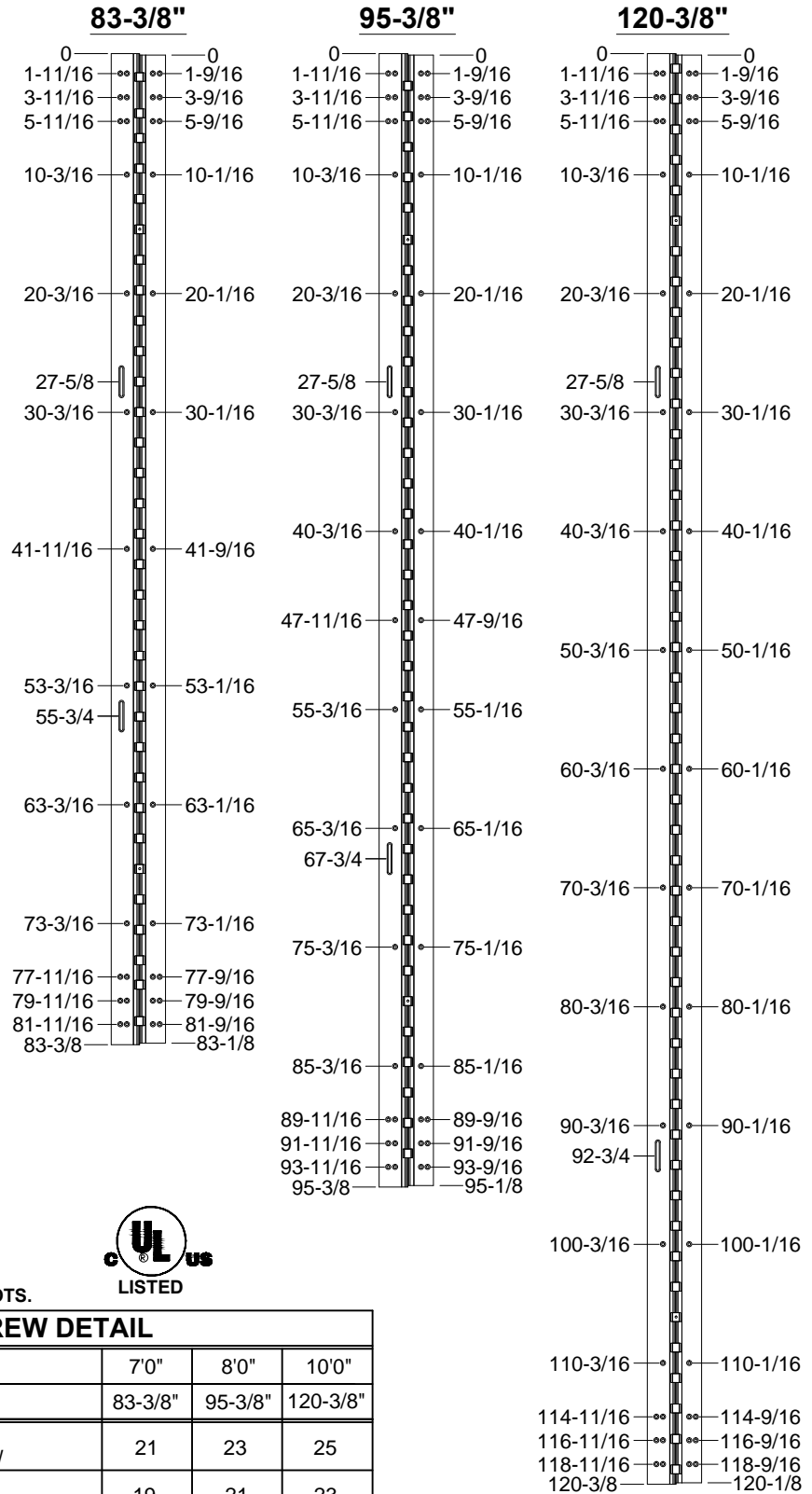
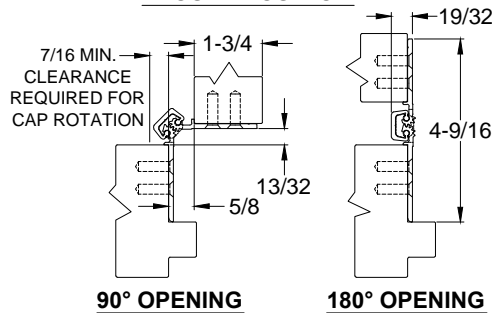
A120HD - ALUMINUM GEARED HINGE, 1/8" INSET, FULL CONCEALED WITH FRAME MOUNTING SLOTS



SLOT COUNTERSUNK FOR #12 FLAT HEAD SCREW



CLOSED POSITION



NOTES:

1. HINGES CUT TO CUSTOM LENGTH ARE CUT FROM THE BOTTOM. PLEASE SPECIFY HANDING.
2. ALL DIMENSIONS ARE IN INCHES.
3. ALL DIMENSIONS ARE TO CENTERLINE OF HOLES & SLOTS.



STANDARD HINGE SIZES & SCREW DETAIL

		7'0"	8'0"	10'0"
NOMINAL DOOR HEIGHT		7'0"	8'0"	10'0"
ACTUAL HINGE LENGTH		83-3/8"	95-3/8"	120-3/8"
FRAME	12-24 x 7/8" PHILLIPS FLAT HEAD, UNDERCUT, SELF DRILLING, THREAD FORMING TEK MACHINE SCREW	21	23	25
DOOR	12-24 X 7/8" PH. F.H. UNDERCUT SELF DRILLING THREAD FORMING TEK SCREW	19	21	23

A120-ALUMINUM GEARED HINGE WITH FRAME MTG SLOTS-00.DWG



www.abhmfg.com
 E-mail: abhinfo@abhmfg.com
 Architectural Builders Hardware Mfg., Inc.
 1222 Ardmore Ave., Itasca, IL 60143
 630.875.9900; FAX 800.9FAXABH (932.9224)

© 2020 ABH Mfg., Inc.
 printed in USA

A120
ALUMINUM GEARED HINGE
WITH FRAME MTG SLOTS

PAGE 1 OF 1
 ISSUED 01-21-20