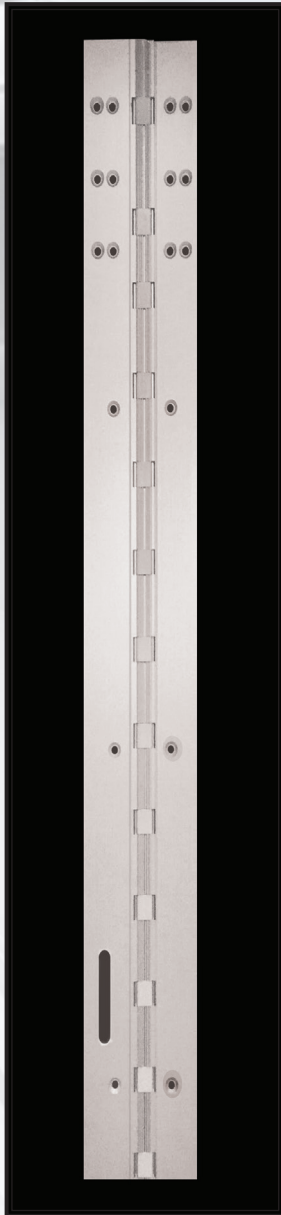


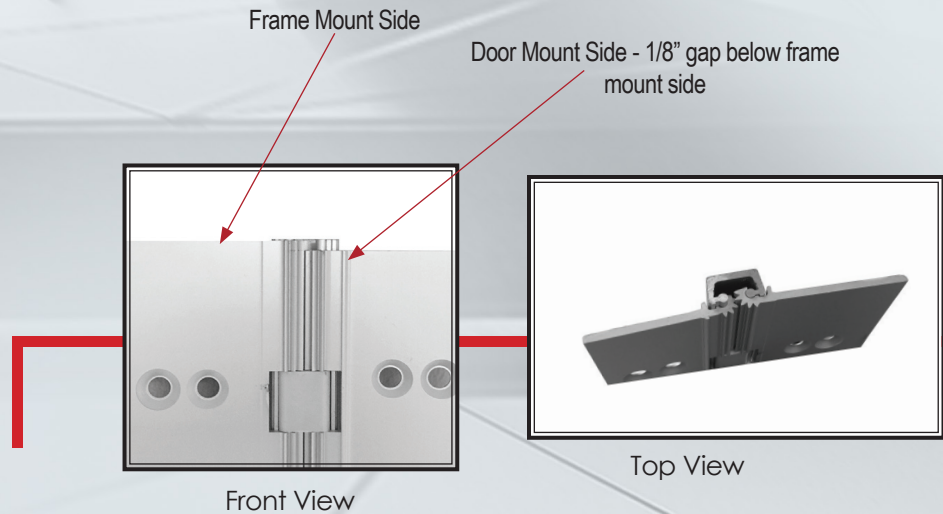
A120

Aluminum Geared Hinge

Easy Install
Full Mortise Hinge



Top Half - Front View



FEATURES:

- Full Concealed, Heavy Duty Hinge
- 1/8" Door Inset
- Compatible with hollow metal, minimum reveal, narrow-faced frames, and narrow doors.
- 450 lbs. door weight maximum
- Allows for vertical adjustability after the hinge is secured to door and frame, reducing overall installation time and cost.

AVAILABLE FINISHES:

- Clear
- Dark Bronze
- Black Anodized

STANDARD LENGTHS:

- 83"
- 95"
- 120"