

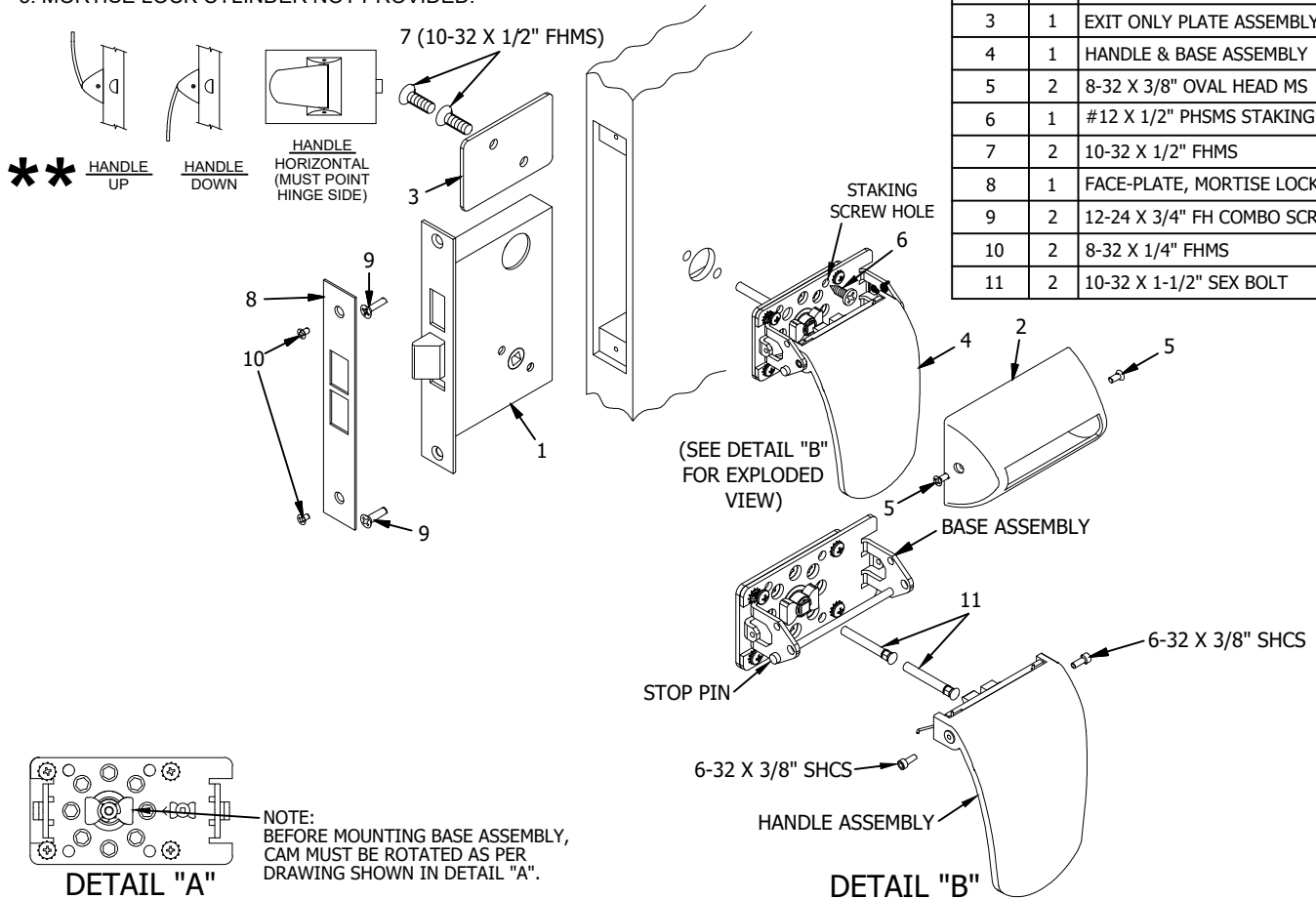
# LR6600 - EXIT ONLY OPTION INSTALLATION FOR MORTISE LOCK TRIM

- "PS" OPTION - LR6600 TRIM ON PUSH SIDE & EXIT ONLY PLATE ON PULL SIDE
- "PL" OPTION - LR6600 TRIM ON PULL SIDE & EXIT ONLY PLATE ON PUSH SIDE

**NOTES**

1. TRIM CAN BE MOUNTED UP, DOWN OR HORIZONTALLY.\*\*
2. USE ABH MORTISE LOCK DOOR PREP TEMPLATE.
3. MORTISE LOCK CYLINDER NOT PROVIDED.

PARTS LIST		
ITEM	QTY	DESCRIPTION
1	1	MORTISE LOCK BODY
2	1	COVER
3	1	EXIT ONLY PLATE ASSEMBLY
4	1	HANDLE & BASE ASSEMBLY
5	2	8-32 X 3/8" OVAL HEAD MS
6	1	#12 X 1/2" PHSMS STAKING SCREW
7	2	10-32 X 1/2" FHMS
8	1	FACE-PLATE, MORTISE LOCK
9	2	12-24 X 3/4" FH COMBO SCREW
10	2	8-32 X 1/4" FHMS
11	2	10-32 X 1-1/2" SEX BOLT



**INSTALLATION INSTRUCTIONS:**

1. Install mortise lock body (item 1) using (2) 12-24 combo screws (item 9). Mount mortise lock face plate (item 8) using (2) 8-32 FHMS (item 10).
2. Determine if handle & base assembly (item 4) is to be mounted vertical or horizontal. Place handle assembly on appropriate side of door and rotate cam as per detail "A", shown above. In detail "B", insert (2) 10-32 sex bolt (item 11) that match the holes on the door face through the handle & base assembly (item 4) and mortise lock body (item 1) into the exit only plate and attach with (2) 10-32 screw (item 7).
3. Test lock for proper operation. If latch bolt does not extend or retract freely because of any type of binding, loosen mounting screws to adjust alignment of trim handle & base assembly (item 4) and re-tighten screws one at a time while checking latch bolt movement.
4. To prevent the handle & base assembly (item 4) from possible twisting, which in turn can cause binding, determine which staking screw hole will be used. (the staking screw installs on the staking screw hole location opposite the direction the handle is mounted). Install (1) #12 PHSMS staking screw (item 6).
5. Place cover (item 2) over handle and fasten each side with (2) 8-32 oval head screws (item 5).

**PATENT PENDING**



www.abhmfg.com  
 E-mail: abhinfo@abhmfg.com  
 Architectural Builders Hardware Mfg., Inc.  
 1222 Ardmore Ave., Itasca, IL 60143  
 630.875.9900; FAX 800.9FAXABH (932.9224)

© 2020 ABH Mfg., Inc.  
 printed in USA

LR6600 - EXIT ONLY PS OR PL OPTION-1-02.DWG

LR6600 - EXIT ONLY  
 "PS" or "PL" OPTION

PAGE 1 OF 3  
 ISSUED 06-23-20

# LR6600 EXIT ONLY - PS OR PL OPTION HOLE PATTERN CHART

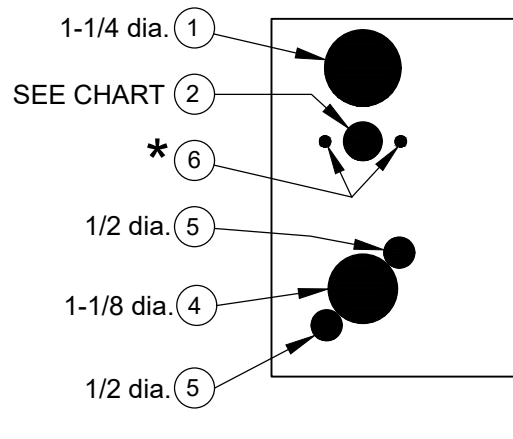
	Inside holes					Outside holes				
	1	2	4	5	6	1	2	4	5	6
Lockset function	Cylinder 1-1/4" dia.	Turn knob 5/8" dia.	Trim 1-1/8" dia.	Thru-bolt 1/2" dia.(2)	Trim turn knob *(2)	Cylinder 1-1/4" dia.	Emergency Key 1/2" dia.	Trim 1-1/8" dia.	Thru-bolt 1/2" dia.(2)	Trim turn knob *(2)
LR6610 (Passage/Closet Latchset)			■	■				■	■	
LR6632 (Privacy)		■	■	■			■	■	■	
LR6637 (Store Door Lock)	■		■	■		■		■	■	
LR6638 (Entry/Restroom Lock)	■		■	■		■		■	■	
LR6641 (Asylum Lock)	■		■	■		■		■	■	
LR6645 (Hotel/Motel Lock)		■	■	■	■	■		■	■	
LR6652 (Office Lock)		■	■	■	■	■		■	■	
LR6653 (Entry/Office Lock)		■	■	■		■		■	■	
LR6654 (Dormitory/Bedroom Lock)		■	■	■	■	■		■	■	
LR6656 (Classroom Lock)			■	■		■		■	■	
LR6657 (Dormitory Lock)		■	■	■		■		■	■	
LR6658 (Storeroom/Exit Lock)			■	■		■		■	■	

\* Determine trim holes based on trim type.

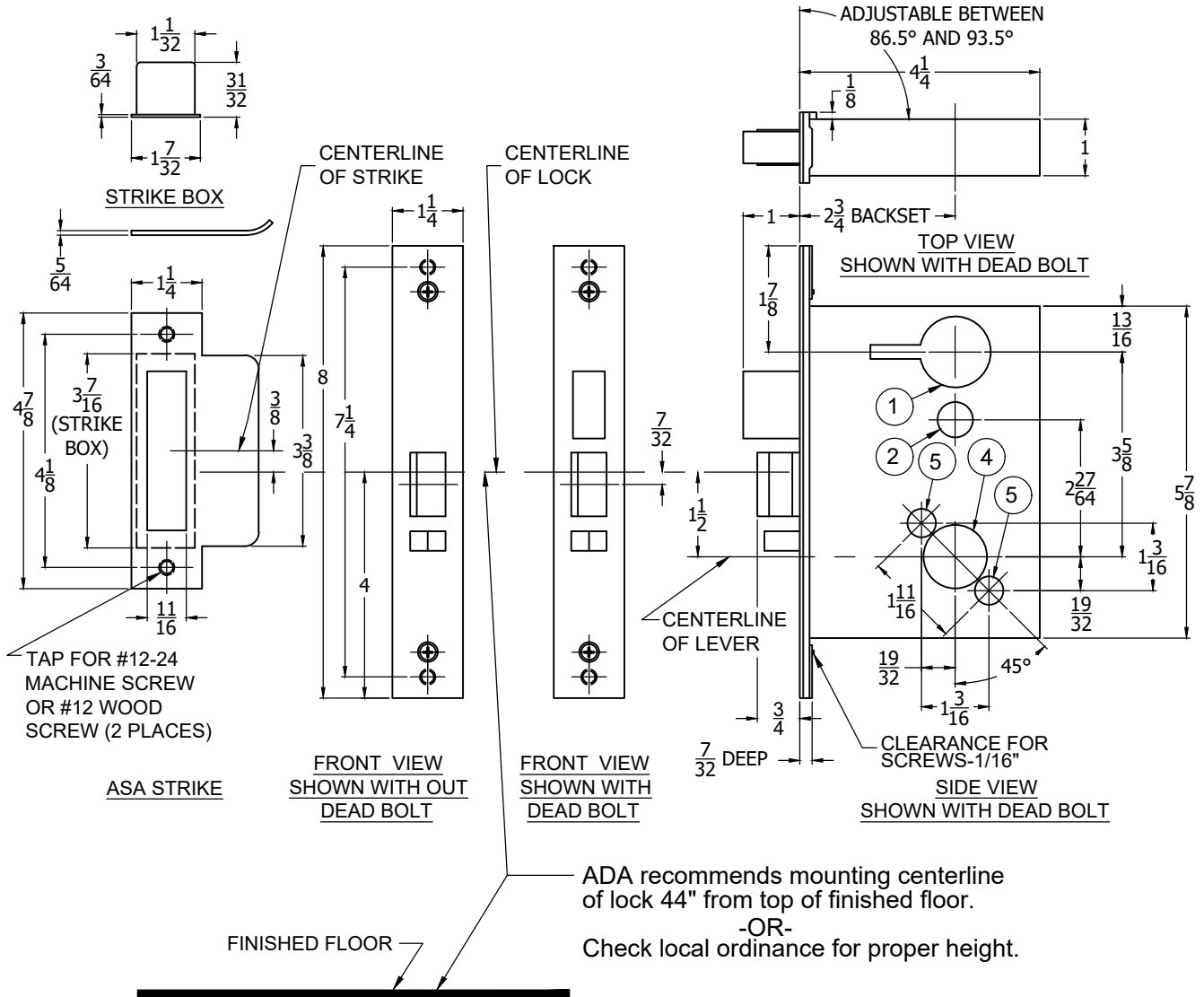
ADA recommends mounting centerline of lock 44" from top of finished floor.

-OR- Check local ordinance for proper height.

**Caution:** Not all holes shown above need to be drilled. Use the diagram AND the chart to determine the holes that you need to drill for your trim and function combination.



# LR6600 EXIT ONLY - PS OR PL OPTION DOOR & FRAME PREP



**Lock case holes:**

- ① Cylinder hole-1-1/4" dia.
- ② Turn knob-5/8" dia. / Emergency key-1/2" dia.
- ④ Trim hole-1-1/8" dia.
- ⑤ Thru-bolt holes- (two required) 1/2" dia.

**Notes:**

- 1. Before drilling check the hole pattern chart.
- 2. The maximum door-to-frame gap is 3/16".
- 3. Allow 3/64" clearance for the strike box thickness.
- 4. For metal door, lock case support is required from the door manufacturer.
- 5. Tap for a #12-24 machine screw or drill for a #12 wood screw (a combination screw is supplied).