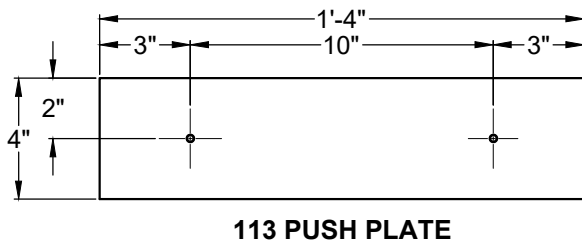
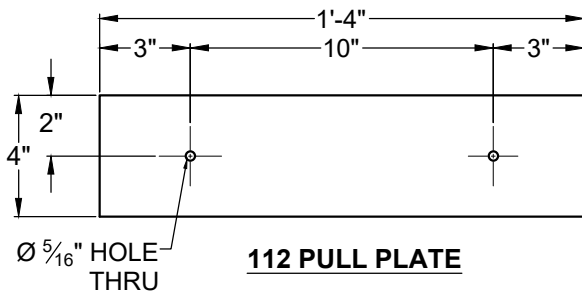
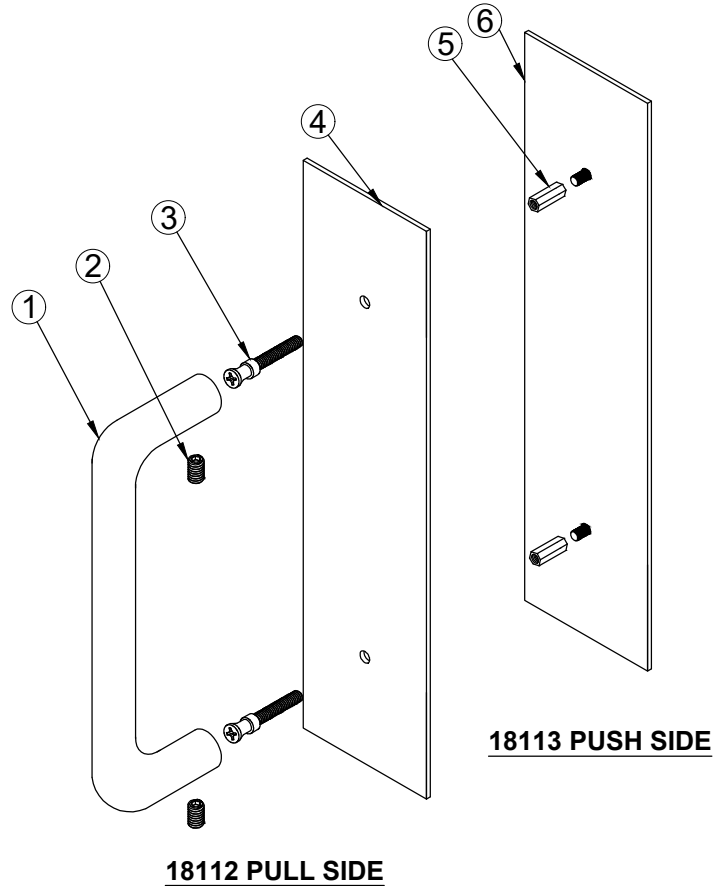
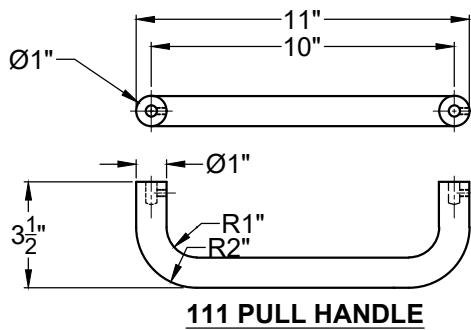


18111 PUSH-PULL PLATE SET

NOTES:

1. ALL DIMENSIONS ARE IN INCHES.
2. DO NOT SCALE DRAWING.
3. THREADED STUD WELDED PERMANENTLY TO PUSH PLATE.
4. PART IS SYMMETRICAL.
5. MATERIAL: STAINLESS STEEL.
6. MOUNTING HOLE DIA. 1/2".



ITEM #.	QTY.	PART NO.
1	1	111 PULL HANDLE
2	2	1/4-20x3/8" FLAT TIP SET SCREW
3	2	1/4-20x1-3/4" SET SCREW STAND OFF
4	1	112 PULL PLATE
5	2	1/4-20x7/8" HEX COUPLING NUT
6	1	113 PUSH PLATE

ABH
MANUFACTURING INC.

www.abhmfg.com
E-mail: abhinfo@abhmfg.com
Architectural Builders Hardware Mfg., Inc.
1222 Ardmore Ave., Itasca, IL 60143
630.875.9900; FAX 800.9FAXABH (932.9224)

© 2020 ABH Mfg., Inc.
printed in USA

18111
PULL PLATE SET

PAGE 1 OF 1
ISSUED 05-15-20

18111 PULL PLATE SET-00.DWG