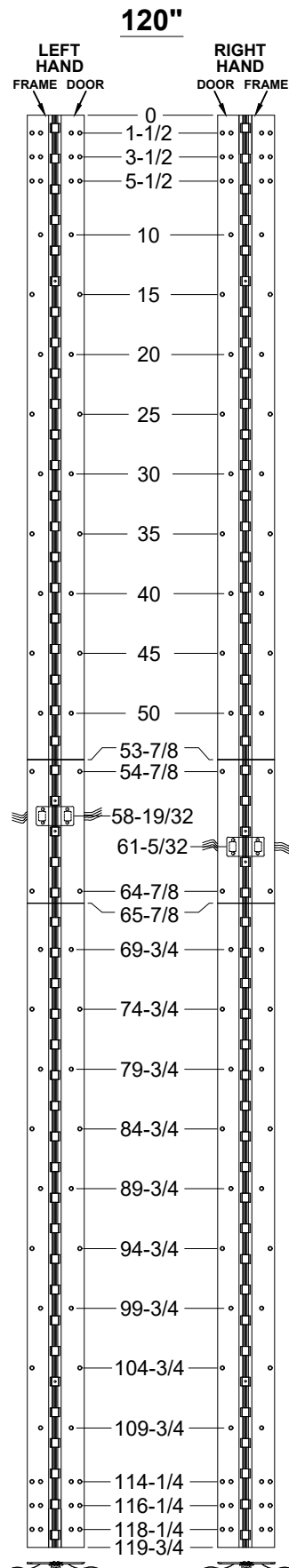
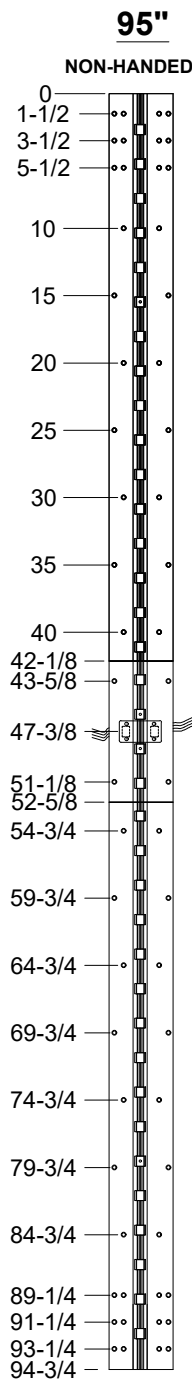
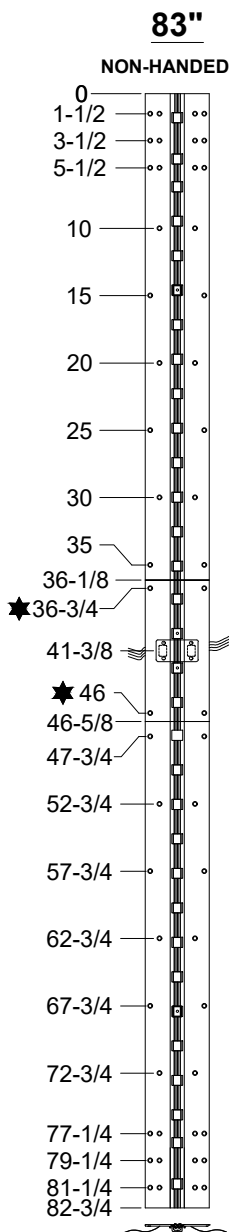


# A270HD - "EA" & "R" ELECTRICAL MODIFICATION WITH REMOVABLE OPTION



## 12 WIRE STANDARD

R = REMOVABLE, (3) INDIVIDUAL HINGES, THRU WIRE CAN BE REMOVED TO ACCESS WIRES.



★ = MANUFACTURING TO ADD (4) COUNTERSINK THRU HOLES FOR #12 FLAT HEAD SCREW.

### STANDARD HINGE SIZES & SCREW DETAIL

NOMINAL DOOR HEIGHT	7'0"	8'0"	10'0"
ACTUAL HINGE LENGTH	83"	95"	120"
FRAME	12-24 x 7/8" PHILLIPS FLAT HEAD, UNDERCUT, SELF DRILLING, THREAD FORMING TEK MACHINE SCREW	26	28
DOOR	12-24 x 7/8" PHILLIPS FLAT HEAD, UNDERCUT, SELF DRILLING, THREAD FORMING TEK MACHINE SCREW	26	32

A270HD-EA & R, ELECTRICAL MODIFICATION WITH REMOVABLE OPTION-1-01.DWG



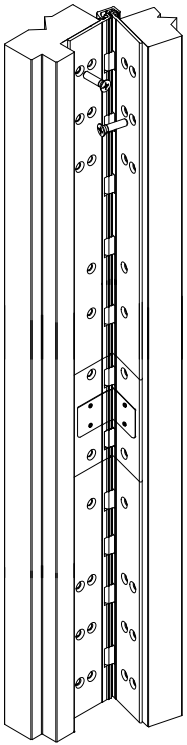
www.abhmfg.com  
E-mail: abhinfo@abhmfg.com  
Architectural Builders Hardware Mfg., Inc.  
1222 Ardmore Ave., Itasca, IL 60143  
630.875.9900; FAX 800.9FAXABH (932.9224)

**A270HD - "EA" & "R"**  
ELECTRICAL MODIFICATION  
WITH REMOVABLE OPTION

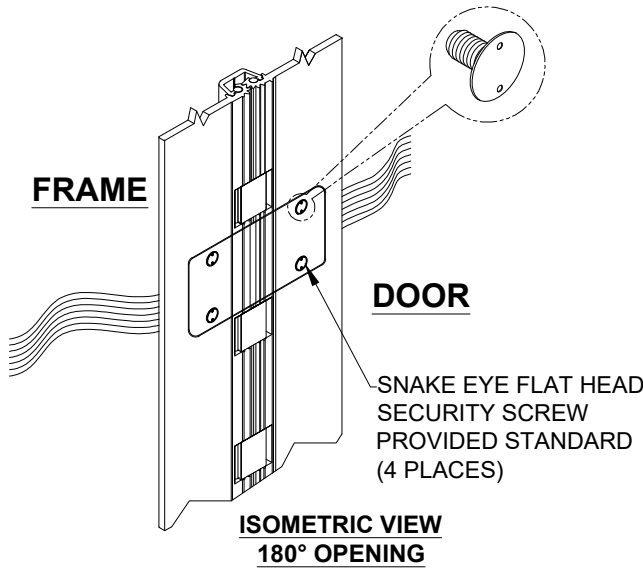
© 2019 ABH Mfg., Inc.  
printed in USA

PAGE 1 OF 2  
ISSUED 05-05-20

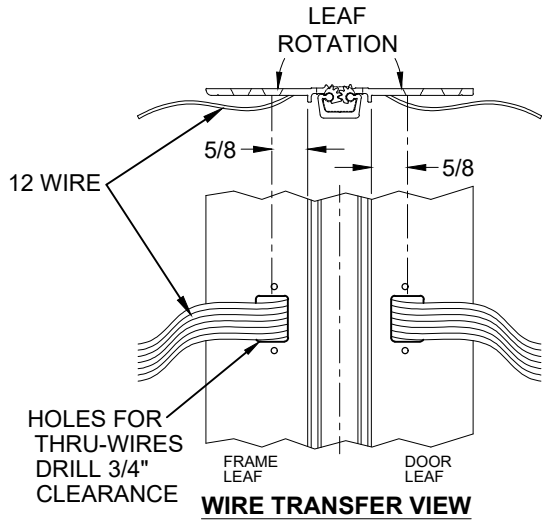
**A270HD - "EA" & "R" ELECTRICAL MODIFICATION WITH REMOVABLE OPTION**



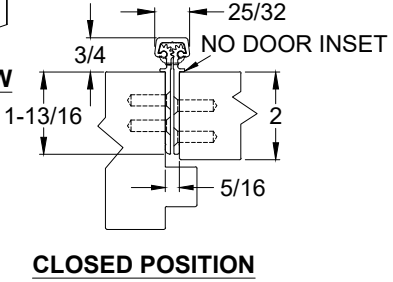
**ISOMETRIC VIEW  
~90° OPENING**



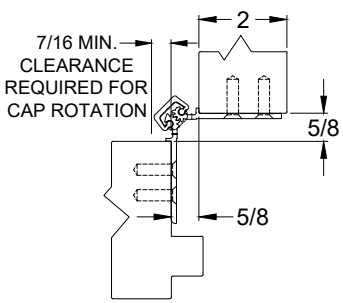
**ISOMETRIC VIEW  
180° OPENING**



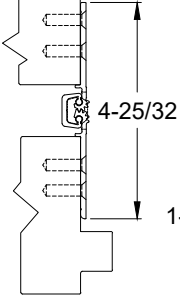
**WIRE TRANSFER VIEW**



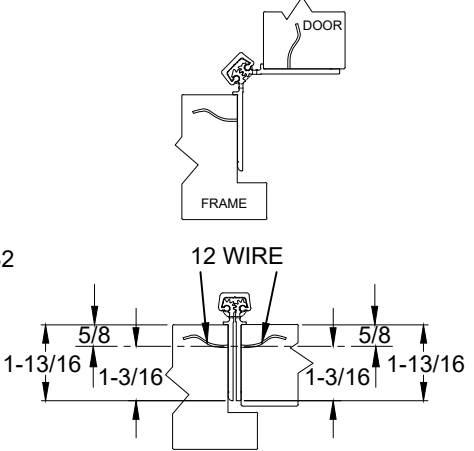
**CLOSED POSITION**



**90° OPENING**

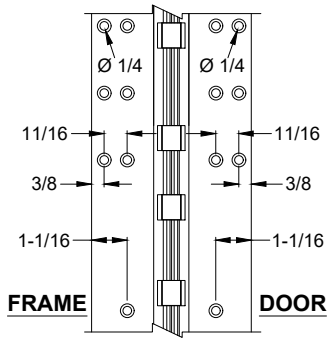
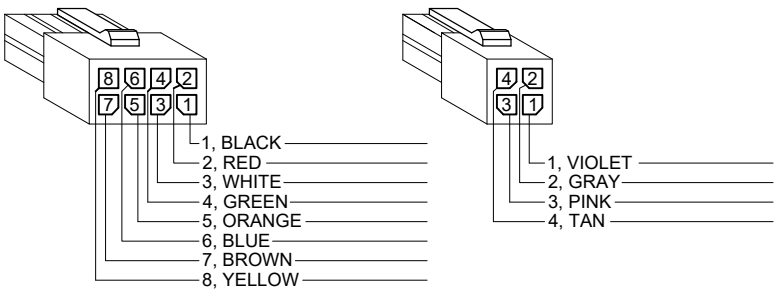


**180° OPENING**



**WIRE TRANSFER VIEW**

**EZ CONNECT OPTION**



**NOTES:**

1. HINGES CUT TO CUSTOM LENGTH ARE CUT FROM BOTTOM OF HINGE. CUSTOM CUT HINGE REQUIRES HANDING.
  2. SPECIFY IF MOLEX<sup>®</sup> CONNECTORS ARE REQUIRED - SUFFIX "EZ".
- \* SPECIFY ELECTRIFIED HARDWARE MANUFACTURER FOR CONNECTOR COMPABILITY

**SPECIFICATION:**

**DESCRIPTION:** SINGLE CONDUCTOR #22 AWG MINIATURE HOOK-UP WIRE FOR APPLICATIONS REQUIRING EXTREME FLEXIBILITY.

**CONDUCTOR:** #22 AWG 168/44 (0.002") SOFT BARE COPPER LHL.

**INSULATION:** PROPRIETARY FORMULATION PVC 0.010" NOM. WALL MEETS VW-1 FLAME REQUIREMENT.

**DIAMETER:** 0.053" ± 0.003".

**RESISTANCE:** 16.7 OHMS MAX. @ 20°C, PER 1000 FT.

**VOLTAGE RATING:** 600 VOLTS RMS, DEPENDING ON SPECIFICATION.

AVAILABLE AS RoHS COMPLIANT.

A270HD-EA & R, ELECTRICAL MODIFICATION WITH REMOVABLE OPTION-2-01.DWG



www.abhmfg.com  
 E-mail: abhinfo@abhmfg.com  
 Architectural Builders Hardware Mfg., Inc.  
 1222 Ardmore Ave., Itasca, IL 60143  
 630.875.9900; FAX 800.9FAXABH (932.9224)

**A270HD - "EA" & "R"**  
 ELECTRICAL MODIFICATION  
 WITH REMOVABLE OPTION

© 2019 ABH Mfg., Inc.  
 printed in USA