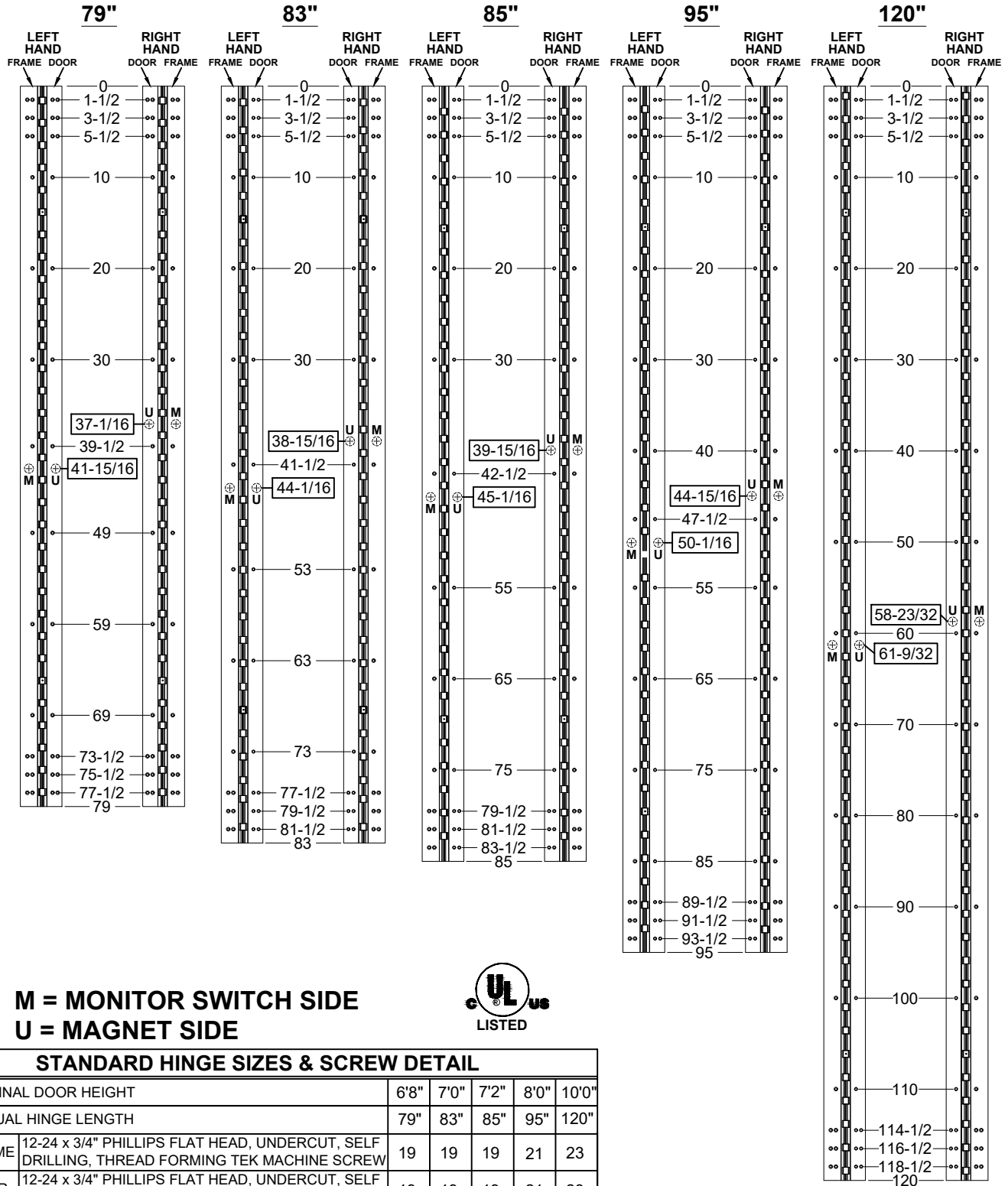


**A111HD - "EM" OPTION, CONCEALED ELECTRIFICATION, FULL CONCEALED,  
ALUMINUM GEARED HINGE**



**M = MONITOR SWITCH SIDE  
U = MAGNET SIDE**



**STANDARD HINGE SIZES & SCREW DETAIL**

|                     |  | 6'8" | 7'0" | 7'2" | 8'0" | 10'0" |
|---------------------|--|------|------|------|------|-------|
| NOMINAL DOOR HEIGHT |  | 6'8" | 7'0" | 7'2" | 8'0" | 10'0" |
| ACTUAL HINGE LENGTH |  | 79"  | 83"  | 85"  | 95"  | 120"  |
| FRAME               | 12-24 x 3/4" PHILLIPS FLAT HEAD, UNDERCUT, SELF DRILLING, THREAD FORMING TEK MACHINE SCREW | 19   | 19   | 19   | 21   | 23    |
| DOOR                | 12-24 x 3/4" PHILLIPS FLAT HEAD, UNDERCUT, SELF DRILLING, THREAD FORMING TEK MACHINE SCREW | 19   | 19   | 19   | 21   | 23    |

A111HD-EM OPTION, CONCEALED ELECTRIFICATION-1-02

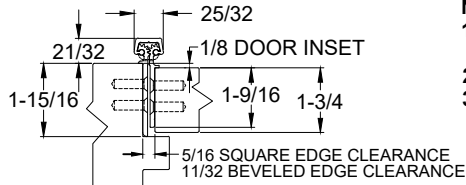


www.abhmfg.com  
E-mail: abhinfo@abhmfg.com  
Architectural Builders Hardware Mfg., Inc.  
1222 Ardmore Ave., Itasca, IL 60143  
630.875.9900; FAX 800.9FAXABH (932.9224)

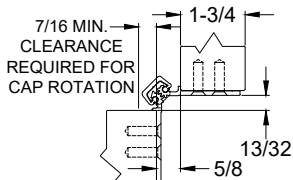
**A111HD - "EM" OPTION  
CONCEALED ELECTRIFICATION**

© 2020 ABH Mfg., Inc. PAGE 1 OF 2  
printed in USA REVISED 10-27-20

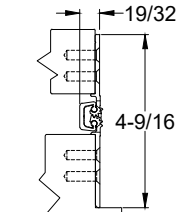
**A111HD - "EM" OPTION, CONCEALED ELECTRIFICATION, FULL CONCEALED,  
ALUMINUM GEARED HINGE**



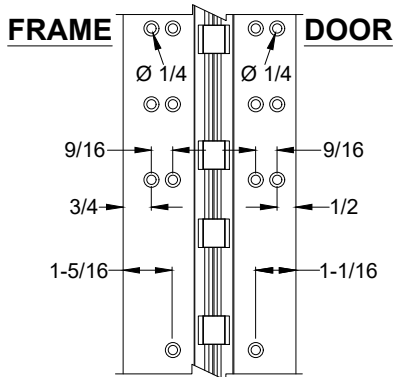
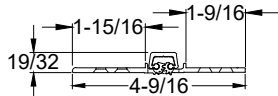
**CLOSED POSITION**



**90° OPENING**

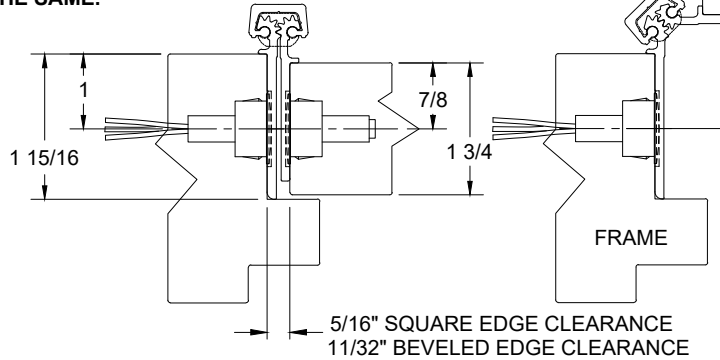


**180° OPENING**



**NOTES:**

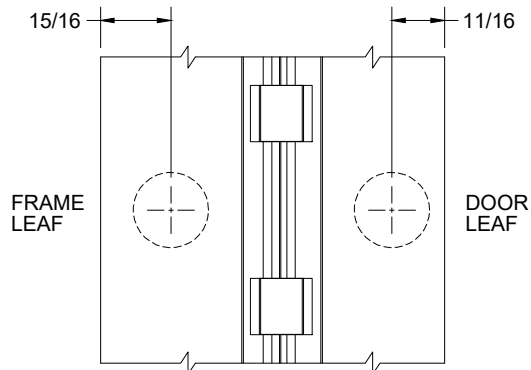
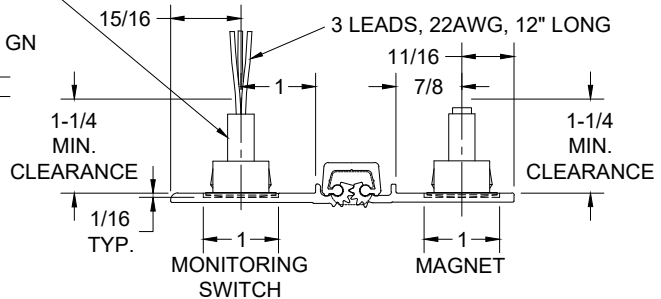
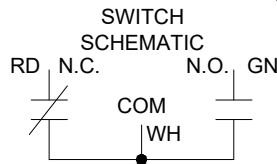
1. HINGES CUT TO CUSTOM LENGTH ARE CUT FROM BOTTOM OF HINGE.
2. SPECIFY HANDING WHEN ORDERING.
3. IF "M" OPTION (MOVEABLE PANEL) OR "R" OPTION (REMOVABLE PANEL) IS CHOSEN, TEMPLATE REMAINS THE SAME.



**MAGNETIC MONITOR SWITCH VIEW,  
LEFT HAND SHOWN**

NOTE: 7/8" DIA. MIN. CLEARANCE HOLE REQUIRED IN DOOR & FRAME FOR MONITORING SWITCH AND MAGNET

ELECTRICAL CONFIG.: SPDT  
 MAX. INITIAL CONTACT RESISTANCE : 0.140 OHM  
 MAX. CONTACT RATING: 5 WATT  
 MAX. SWITCHING VOLTAGE: 175 VDC  
 MAX. SWITCHING CURRENT: 0.25 AMP



**MAGNETIC MONITOR SWITCH VIEW**

A111HD-EM OPTION, CONCEALED ELECTRIFICATION-2-02



www.abhmfg.com  
 E-mail: abhinfo@abhmfg.com  
 Architectural Builders Hardware Mfg., Inc.  
 1222 Ardmore Ave., Itasca, IL 60143  
 630.875.9900; FAX 800.9FAXABH (932.9224)

**A111HD - "EM" OPTION  
 CONCEALED ELECTRIFICATION**

© 2020 ABH Mfg., Inc. printed in USA  
 PAGE 2 OF 2  
 REVISED 10-28-20