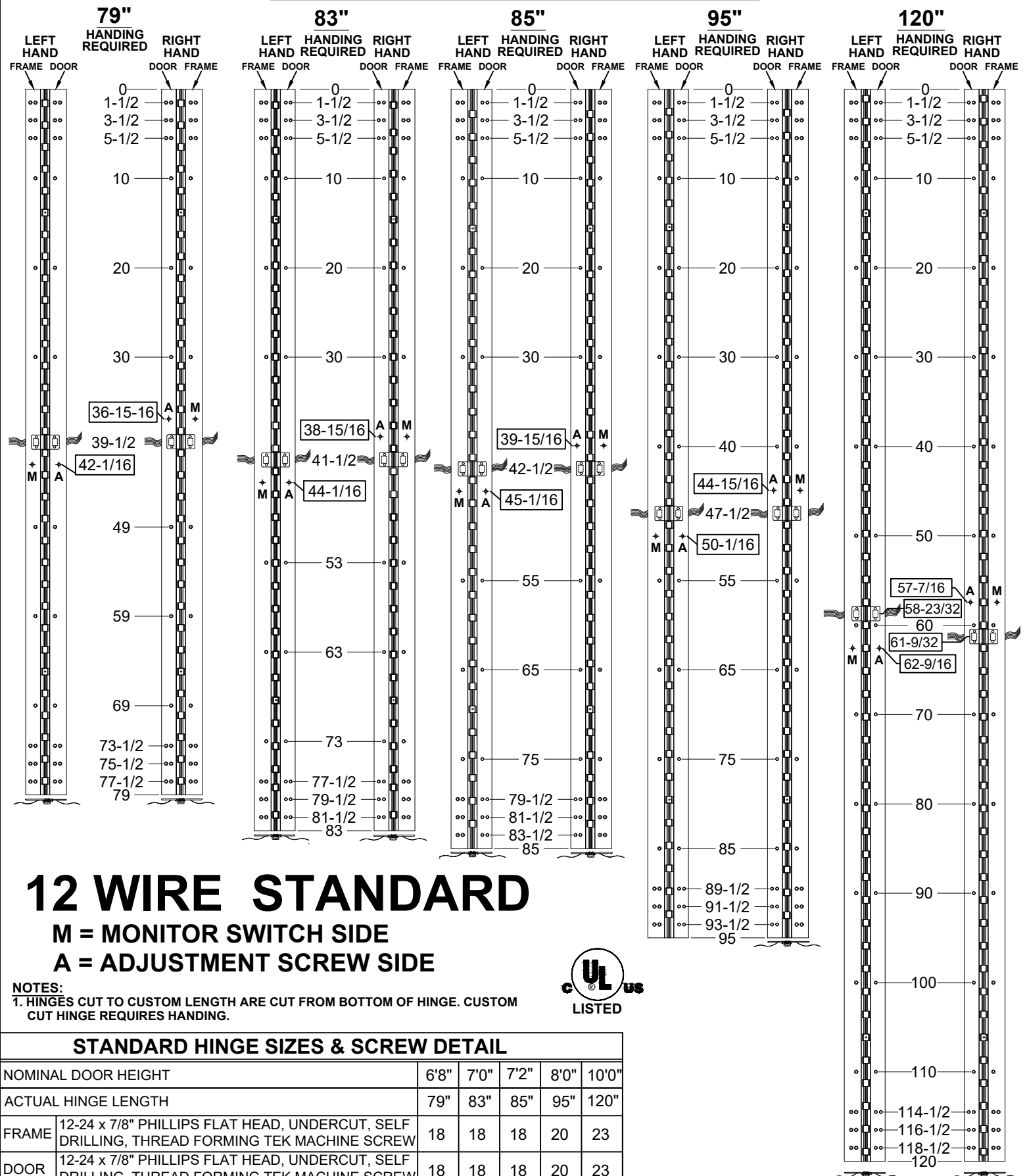


FULL CONCEALED, ALUMINUM GEARED HINGE



12 WIRE STANDARD

M = MONITOR SWITCH SIDE

A = ADJUSTMENT SCREW SIDE

NOTES:

1. HINGES CUT TO CUSTOM LENGTH ARE CUT FROM BOTTOM OF HINGE. CUSTOM CUT HINGE REQUIRES HANDING.



STANDARD HINGE SIZES & SCREW DETAIL

NOMINAL DOOR HEIGHT		6'8"	7'0"	7'2"	8'0"	10'0"
ACTUAL HINGE LENGTH		79"	83"	85"	95"	120"
FRAME	12-24 x 7/8" PHILLIPS FLAT HEAD, UNDERCUT, SELF DRILLING, THREAD FORMING TEK MACHINE SCREW	18	18	18	20	23
DOOR	12-24 x 7/8" PHILLIPS FLAT HEAD, UNDERCUT, SELF DRILLING, THREAD FORMING TEK MACHINE SCREW	18	18	18	20	23

A111HD-EA OPTION, EASY ACCESS CONCEALED ELECTRIFICATION W/ MT-1-01.DWG



www.abhmfg.com

E-mail: abhinfo@abhmfg.com

Architectural Builders Hardware Mfg., Inc.

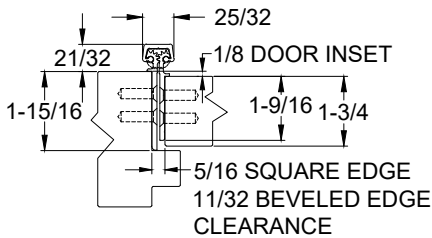
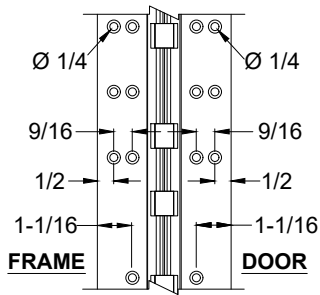
1222 Ardmore Ave., Itasca, IL 60143

630.875.9900; FAX 800.9FAXABH (932.9224)

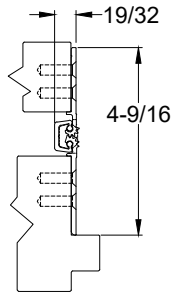
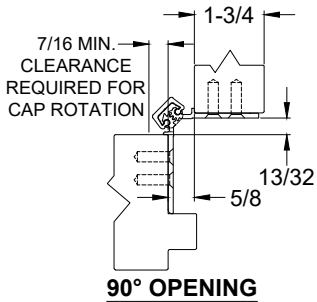
A111HD - "EA" OPTION EASY ACCESS CONCEALED ELECTRIFICATION W/ MT

© 2020 ABH Mfg., Inc. printed in USA

**A111HD - "EA" OPTION, EASY ACCESS CONCEALED ELECTRIFICATION WITH "MT" OPTION
FULL CONCEALED, ALUMINUM GEARED HINGE**

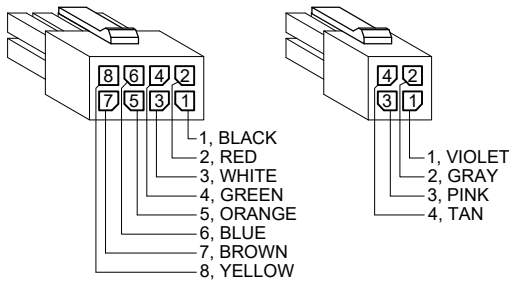


CLOSED POSITION



180° OPENING

EZ CONNECT OPTION



SPECIFICATION:

DESCRIPTION: SINGLE CONDUCTOR #22 AWG MINIATURE HOOK-UP WIRE FOR APPLICATIONS REQUIRING EXTREME FLEXIBILITY.

CONDUCTOR: #22 AWG 168/44 (0.002") SOFT BARE COPPER LHL.

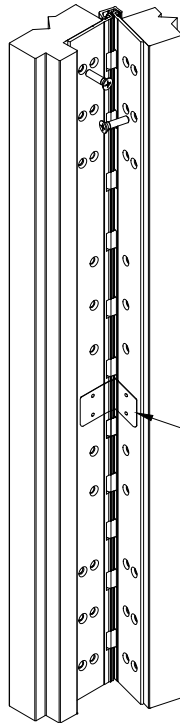
INSULATION: PROPRIETARY FORMULATION PVC 0.010" NOM. WALL MEETS VW-1 FLAME REQUIREMENT.

DIAMETER: 0.053" ± 0.003".

RESISTANCE: 16.7 OHMS MAX. @ 20°C, PER 1000 FT.

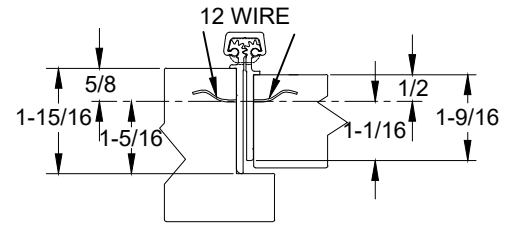
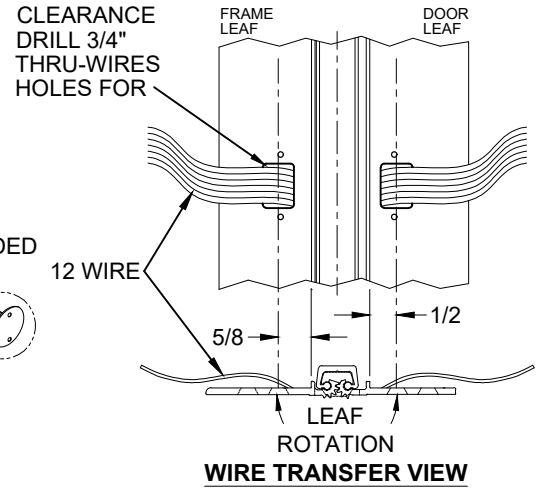
VOLTAGE RATING: 600 VOLTS RMS, DEPENDING ON SPECIFICATION.

AVAILABLE AS RoHS COMPLIANT.



**ISOMETRIC VIEW
~90° OPENING**

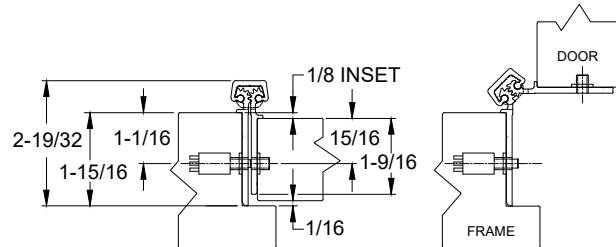
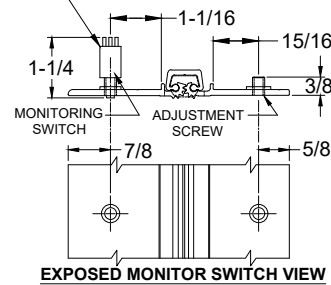
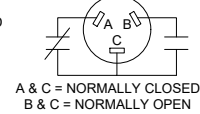
**ISOMETRIC VIEW
180° OPENING**



WIRE TRANSFER VIEW

NOTE: 5/8" DIA. HOLE REQUIRED IN JAMB FOR MONITORING SWITCH AND A 7/16" DIA. HOLE FOR CLEARANCE OF ADJUSTMENT SCREW

SWITCH SCHEMATIC



EXPOSED MONITOR SWITCH VIEW, LEFT HAND SHOWN

A111HD-EA OPTION, EASY ACCESS CONCEALED ELECTRIFICATION W/ MT-2-01.DWG