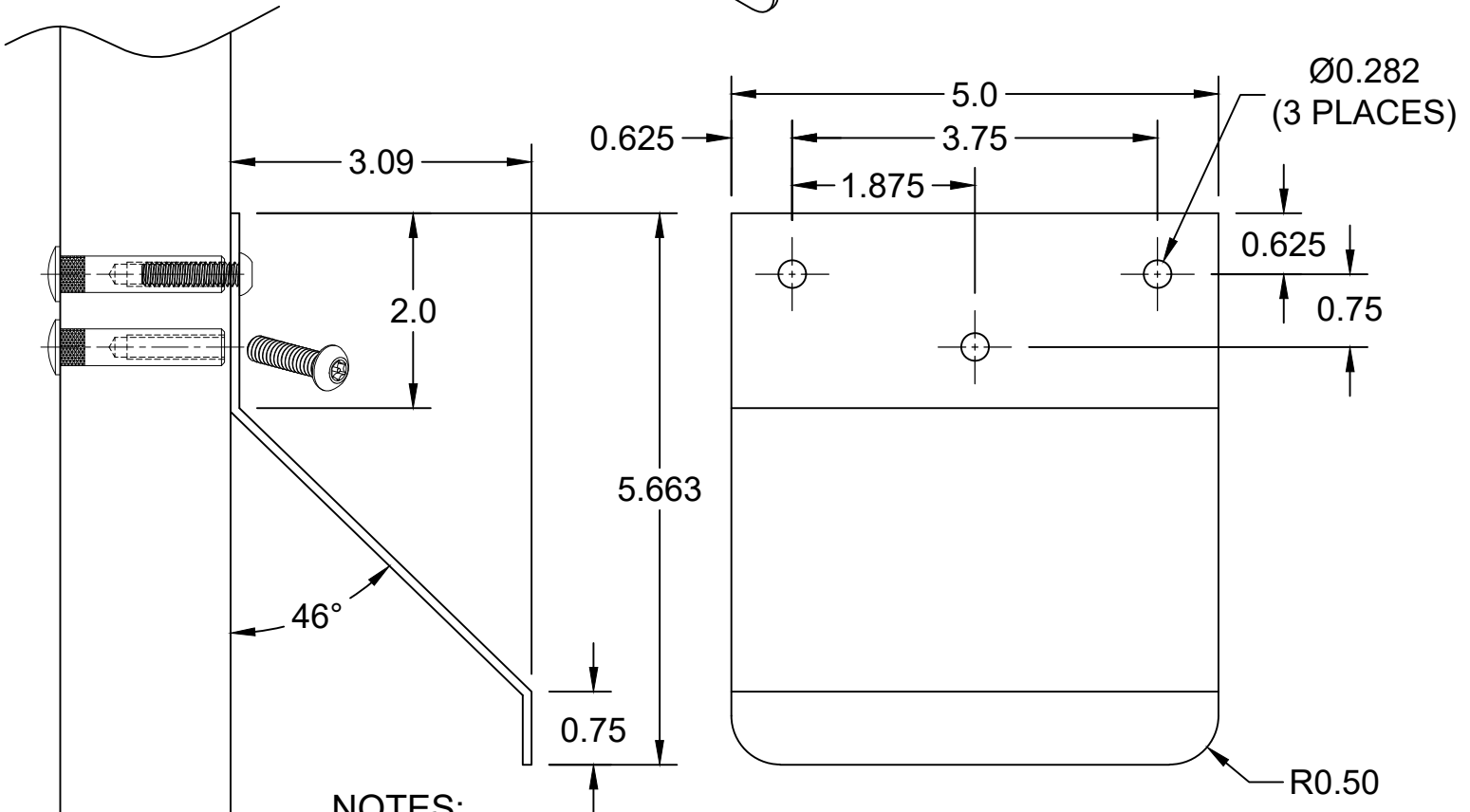
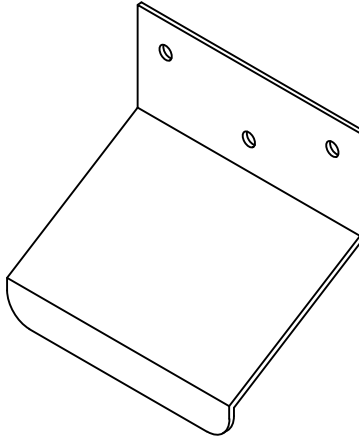


FP100 FOOT PULL



NOTES:

1. ALL DIMENSIONS ARE IN INCHES.
2. DO NOT SCALE DRAWING.
3. MATERIAL: .090 THICK STAINLESS STEEL.
4. THRU-BOLTS TO BE USED ON WOOD & METAL DOORS.

DOOR

QTY	SCREW DETAIL
3	#1/4-20x1" S.S. PIN TORX ROUND HEAD MACHINE SCREW
3	3/8" DIA.x1-11/16" LG. SEX BOLT FOR #1/4-20 SCREW

FP100 FOOT PULL-01.DWG



www.abhmfg.com
 E-mail: abhinfo@abhmfg.com
 Architectural Builders Hardware Mfg., Inc.
 1222 Ardmore Ave., Itasca, IL 60143
 630.875.9900; FAX 800.9FAXABH (932.9224)

FP100 FOOT PULL

© 2020 ABH Mfg., Inc.
printed in USA

PAGE 1 OF 1
ISSUED 04-06-20