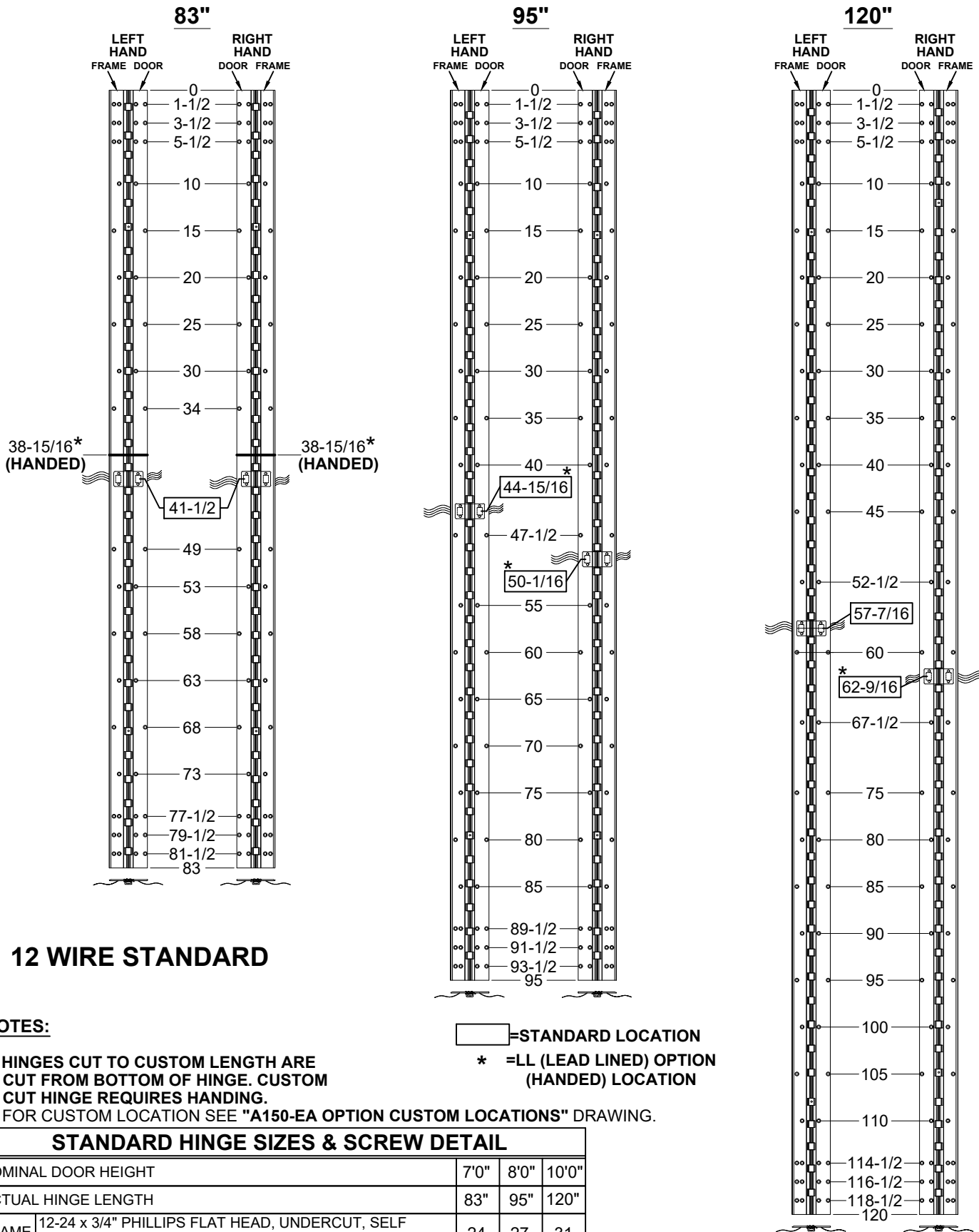


**A160HD/LL - "EA" OPTION, EASY ACCESS CONCEALED ELECTRIFICATION,
FULL CONCEALED, ALUMINUM GEARED HINGE**



12 WIRE STANDARD

NOTES:

1. HINGES CUT TO CUSTOM LENGTH ARE CUT FROM BOTTOM OF HINGE. CUSTOM CUT HINGE REQUIRES HANDING.
2. FOR CUSTOM LOCATION SEE "A150-EA OPTION CUSTOM LOCATIONS" DRAWING.

 = STANDARD LOCATION
 * = LL (LEAD LINED) OPTION (HANDED) LOCATION

STANDARD HINGE SIZES & SCREW DETAIL

NOMINAL DOOR HEIGHT		7'0"	8'0"	10'0"
ACTUAL HINGE LENGTH		83"	95"	120"
FRAME	12-24 x 3/4" PHILLIPS FLAT HEAD, UNDERCUT, SELF DRILLING, THREAD FORMING TEK MACHINE SCREW	24	27	31
DOOR	12-24 x 3/4" PHILLIPS FLAT HEAD, UNDERCUT, SELF DRILLING, THREAD FORMING TEK MACHINE SCREW	24	27	31

A160HD-EA OPTION, EASY ACCESS CONCEALED ELECTRIFICATION-1-04

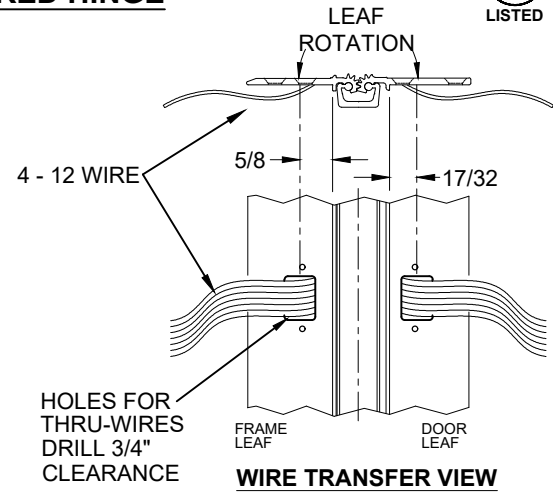
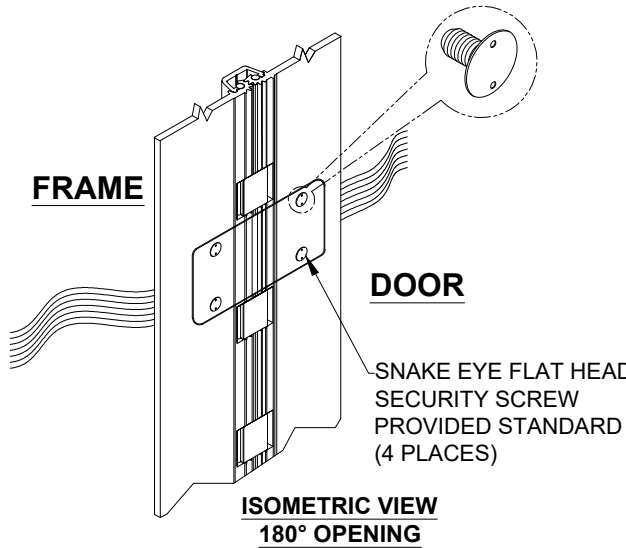
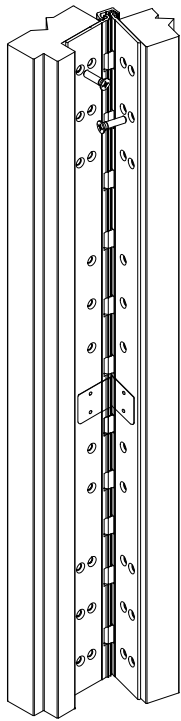


www.abhmf.com
 E-mail: abhinfo@abhmf.com
 Architectural Builders Hardware Mfg., Inc.
 1222 Ardmore Ave., Itasca, IL 60143
 630.875.9900; FAX 800.9FAXABH (932.9224)

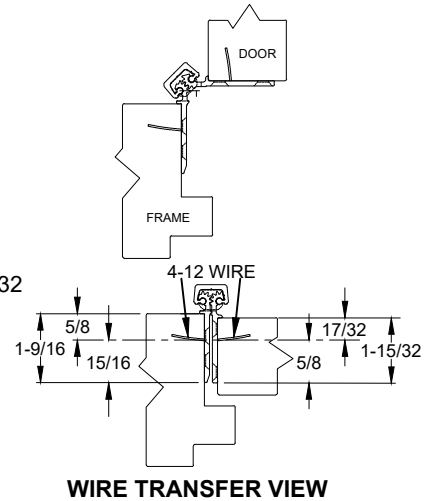
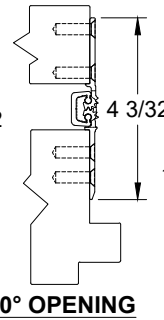
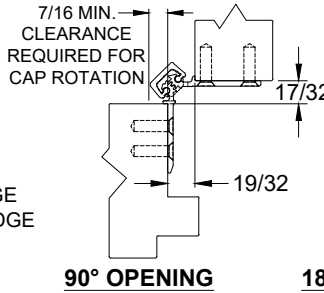
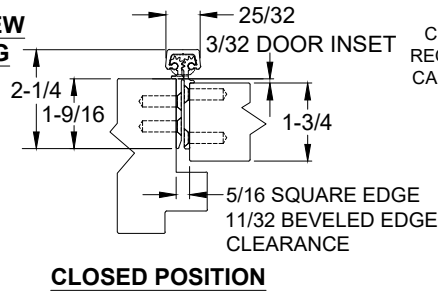
**A160HD/LL - "EA" OPTION EASY ACCESS
CONCEALED ELECTRIFICATION**

© 2023 ABH Mfg., Inc.
printed in USA

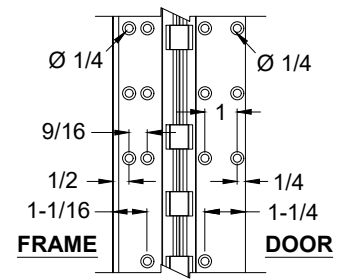
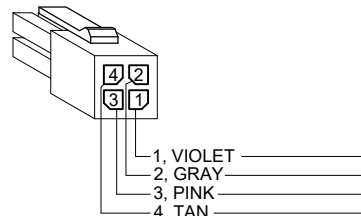
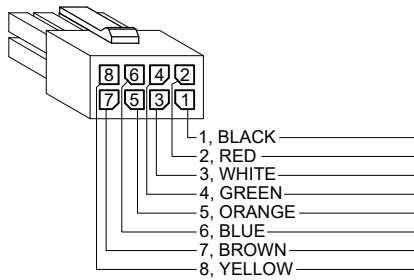
A160HD/LL - "EA" OPTION, EASY ACCESS CONCEALED ELECTRIFICATION-2-04
FULL CONCEALED, ALUMINUM GEARED HINGE



**ISOMETRIC VIEW
~90° OPENING**



EZ CONNECT OPTION



NOTES:

- HINGES CUT TO CUSTOM LENGTH ARE CUT FROM BOTTOM OF HINGE.
- SPECIFY HANDING WHEN ORDERING.
- SPECIFY WIRE CONFIGURATION WHEN ORDERING, TEMPLATE REMAINS THE SAME.
 - TW4 ● EZ4 *
 - TW8 ● EZ8 *
 - TW12 ● EZ12 *

* SPECIFY ELECTRIFIED HARDWARE MANUFACTURER FOR CONNECTOR COMPABILITY

SPECIFICATION:

- DESCRIPTION:** SINGLE CONDUCTOR #22 AWG MINIATURE HOOK-UP WIRE FOR APPLICATIONS REQUIRING EXTREME FLEXIBILITY.
- CONDUCTOR:** #22 AWG 168/44 (0.002") SOFT BARE COPPER LHL.
- INSULATION:** PROPRIETARY FORMULATION PVC 0.010" NOM. WALL MEETS VW-1 FLAME REQUIREMENT.
- DIAMETER:** 0.053" ± 0.003".
- RESISTANCE:** 16.7 OHMS MAX. @ 20°C, PER 1000 FT.
- VOLTAGE RATING:** 600 VOLTS RMS, DEPENDING ON SPECIFICATION.
- AVAILABLE AS RoHS COMPLIANT.**

A160HD-EA OPTION, EASY ACCESS CONCEALED ELECTRIFICATION-2-04



www.abhmfg.com
 E-mail: abhinfo@abhmfg.com
 Architectural Builders Hardware Mfg., Inc.
 1222 Ardmore Ave., Itasca, IL 60143
 630.875.9900; FAX 800.9FAXABH (932.9224)

**A160HD/LL - "EA" OPTION, EASY ACCESS
 CONCEALED ELECTRIFICATION**

© 2023 ABH Mfg., Inc.
 printed in USA