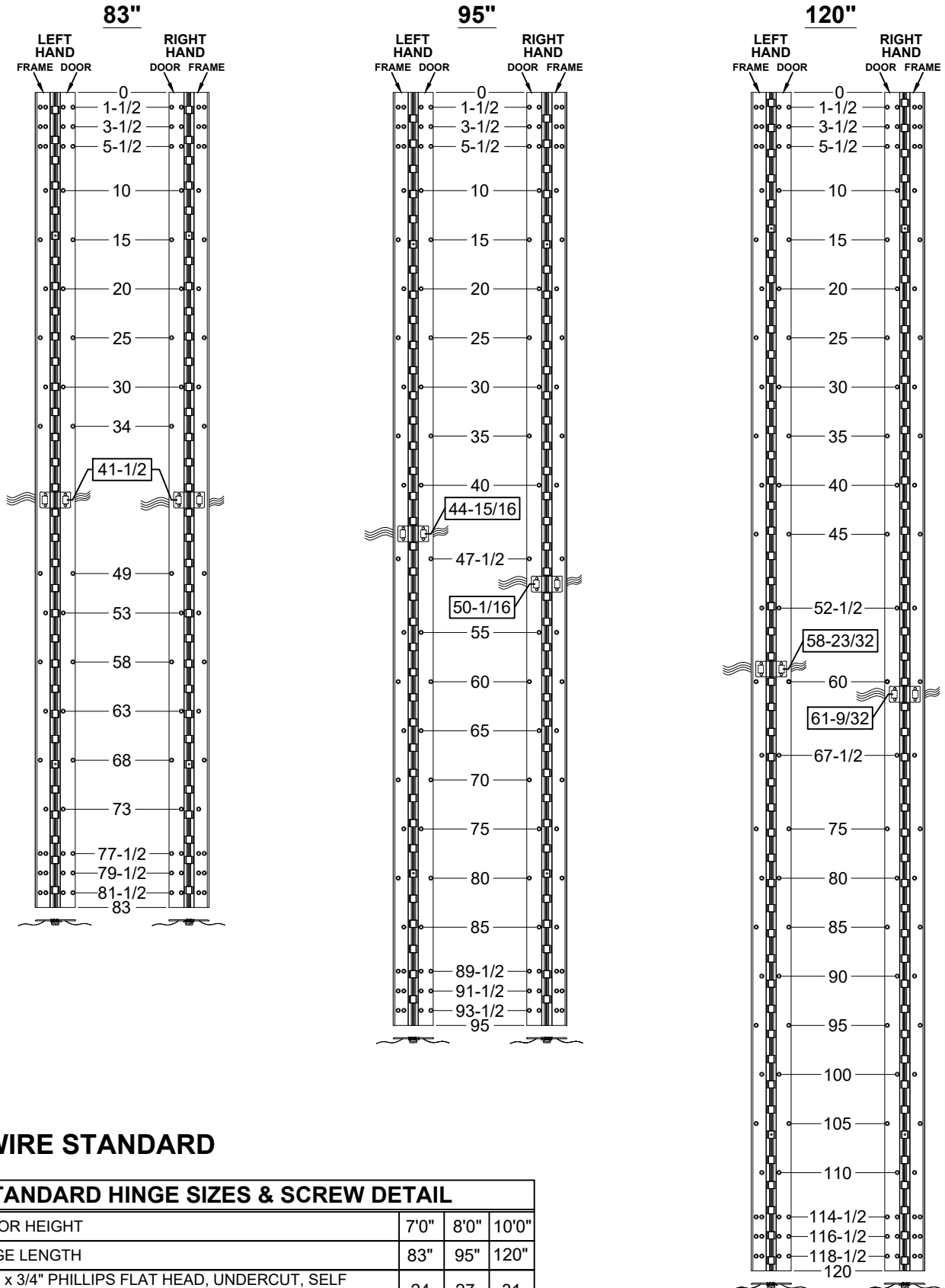


**A160HD - "EA" OPTION, EASY ACCESS CONCEALED ELECTRIFICATION,
FULL CONCEALED, ALUMINUM GEARED HINGE**



4-12 WIRE STANDARD

STANDARD HINGE SIZES & SCREW DETAIL			
NOMINAL DOOR HEIGHT	7'0"	8'0"	10'0"
ACTUAL HINGE LENGTH	83"	95"	120"
FRAME	12-24 x 3/4" PHILLIPS FLAT HEAD, UNDERCUT, SELF DRILLING, THREAD FORMING TEK MACHINE SCREW	24	27
DOOR	12-24 x 3/4" PHILLIPS FLAT HEAD, UNDERCUT, SELF DRILLING, THREAD FORMING TEK MACHINE SCREW	24	27

A160HD-EA OPTION, EASY ACCESS CONCEALED ELECTRIFICATION-1-01

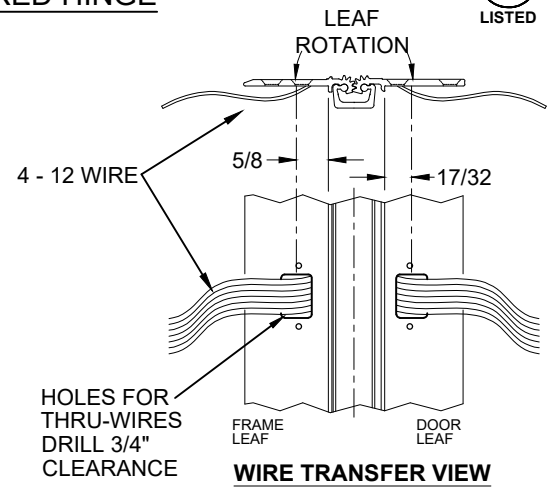
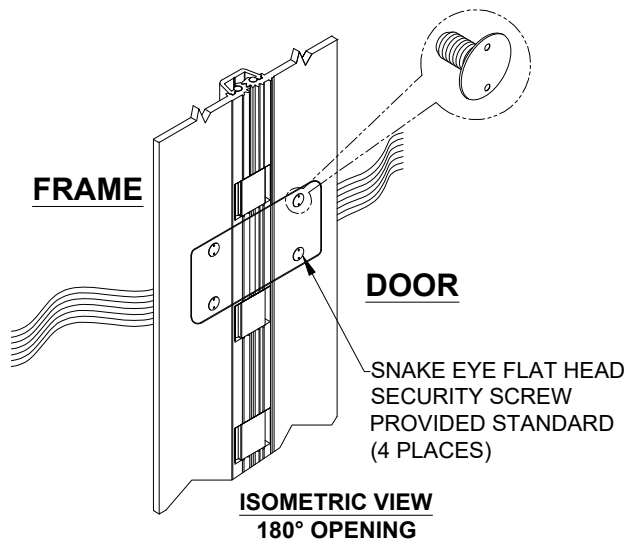
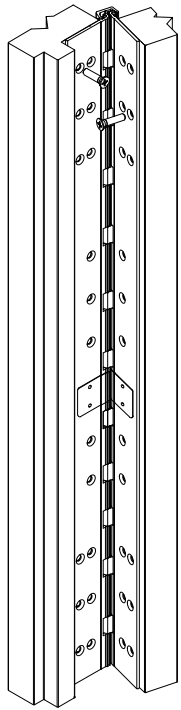


www.abhmfg.com
 E-mail: abhinfo@abhmfg.com
 Architectural Builders Hardware Mfg., Inc.
 1222 Ardmore Ave., Itasca, IL 60143
 630.875.9900; FAX 800.9FAXABH (932.9224)

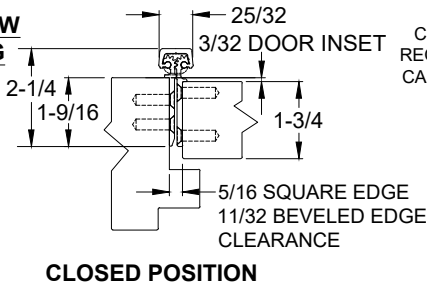
**A160HD - "EA" OPTION EASY ACCESS
CONCEALED ELECTRIFICATION**

© 2019 ABH Mfg., Inc.
printed in USA

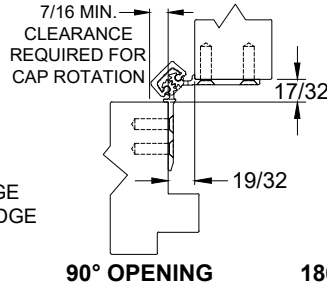
**A160HD - "EA" OPTION, EASY ACCESS CONCEALED ELECTRIFICATION,
FULL CONCEALED, ALUMINUM GEARED HINGE**



**ISOMETRIC VIEW
~90° OPENING**

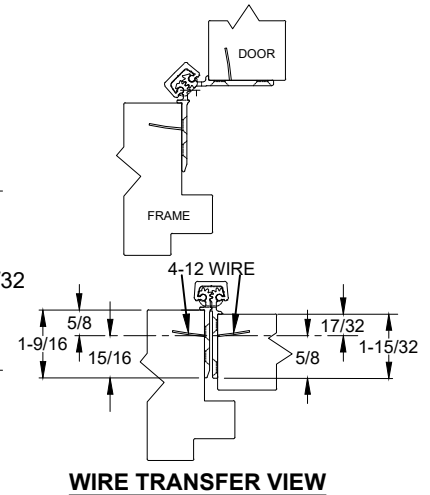


CLOSED POSITION



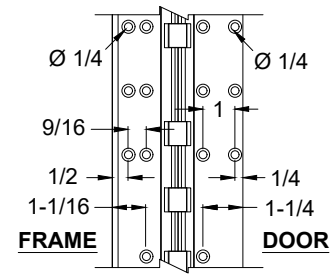
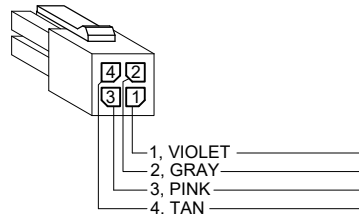
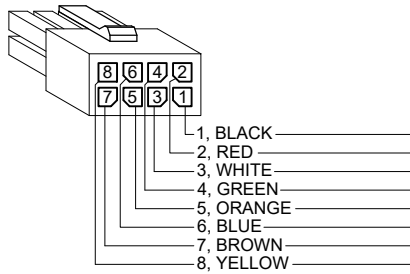
90° OPENING

180° OPENING



WIRE TRANSFER VIEW

EZ CONNECT OPTION



NOTES:

- HINGES CUT TO CUSTOM LENGTH ARE CUT FROM BOTTOM OF HINGE.
- SPECIFY HANDING WHEN ORDERING.
- SPECIFY WIRE CONFIGURATION WHEN ORDERING, TEMPLATE REMAINS THE SAME.
 - TW4
 - TW8
 - TW12
 - EZ4 *
 - EZ8 *
 - EZ12 *

* SPECIFY ELECTRIFIED HARDWARE MANUFACTURER FOR CONNECTOR COMPABILITY

SPECIFICATION:

DESCRIPTION: SINGLE CONDUCTOR #22 AWG MINIATURE HOOK-UP WIRE FOR APPLICATIONS REQUIRING EXTREME FLEXIBILITY.

CONDUCTOR: #22 AWG 168/44 (0.002") SOFT BARE COPPER LHL.

INSULATION: PROPRIETARY FORMULATION PVC 0.010" NOM. WALL MEETS VW-1 FLAME REQUIREMENT.

DIAMETER: 0.053" ± 0.003".

RESISTANCE: 16.7 OHMS MAX. @ 20°C, PER 1000 FT.

VOLTAGE RATING: 600 VOLTS RMS, DEPENDING ON SPECIFICATION.

AVAILABLE AS RoHS COMPLIANT.

A160HD-EA OPTION, EASY ACCESS CONCEALED ELECTRIFICATION-2-01



www.abhmf.com
E-mail: abhinfo@abhmf.com
Architectural Builders Hardware Mfg., Inc.
1222 Ardmore Ave., Itasca, IL 60143
630.875.9900; FAX 800.9FAXABH (932.9224)

**A160HD - "EA" OPTION, EASY ACCESS
CONCEALED ELECTRIFICATION**

© 2019 ABH Mfg., Inc.
printed in USA

PAGE 2 OF 2
REVISED 8-11-21