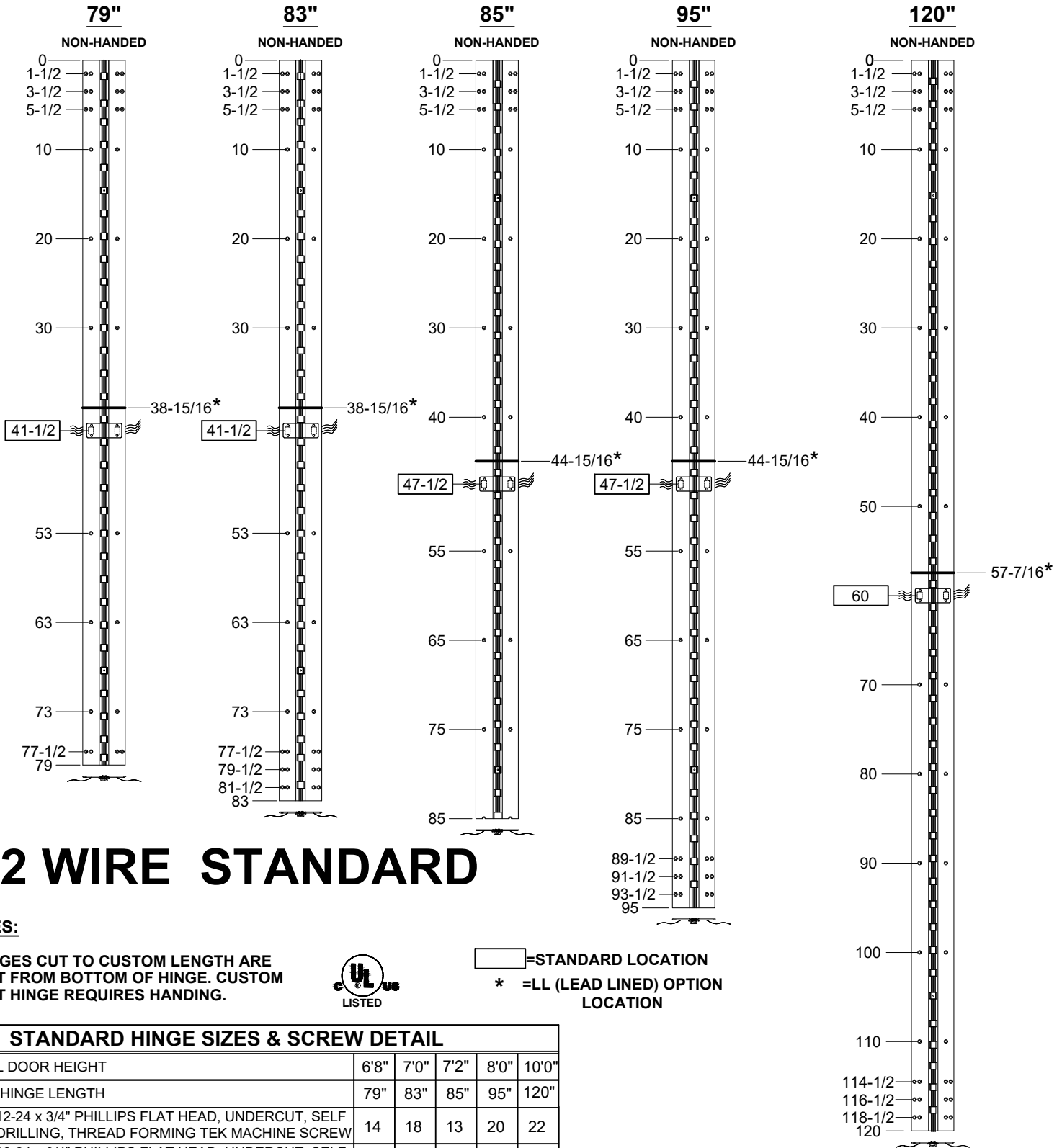


**A280HD/LL - "EA" OPTION, EASY ACCESS CONCEALED ELECTRIFICATION,
ALUMINUM GEARED HINGE FOR 1-3/4" ALUMINUM DOORS & FRAMES WITH SNAP ON TRIM,
FULL CONCEALED**



12 WIRE STANDARD

NOTES:

- HINGES CUT TO CUSTOM LENGTH ARE CUT FROM BOTTOM OF HINGE. CUSTOM CUT HINGE REQUIRES HANDING.



 = STANDARD LOCATION
* = LL (LEAD LINED) OPTION LOCATION

STANDARD HINGE SIZES & SCREW DETAIL

NOMINAL DOOR HEIGHT		6'8"	7'0"	7'2"	8'0"	10'0"
ACTUAL HINGE LENGTH		79"	83"	85"	95"	120"
FRAME	12-24 x 3/4" PHILLIPS FLAT HEAD, UNDERCUT, SELF DRILLING, THREAD FORMING TEK MACHINE SCREW	14	18	13	20	22
DOOR	12-24 x 3/4" PHILLIPS FLAT HEAD, UNDERCUT, SELF DRILLING, THREAD FORMING TEK MACHINE SCREW	14	18	13	20	22

A280HD- "EA" OPTION, EASY ACCESS CONCEALED ELECTRIFICATION-1-04



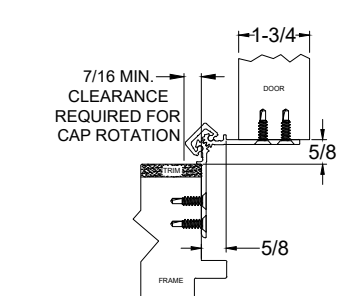
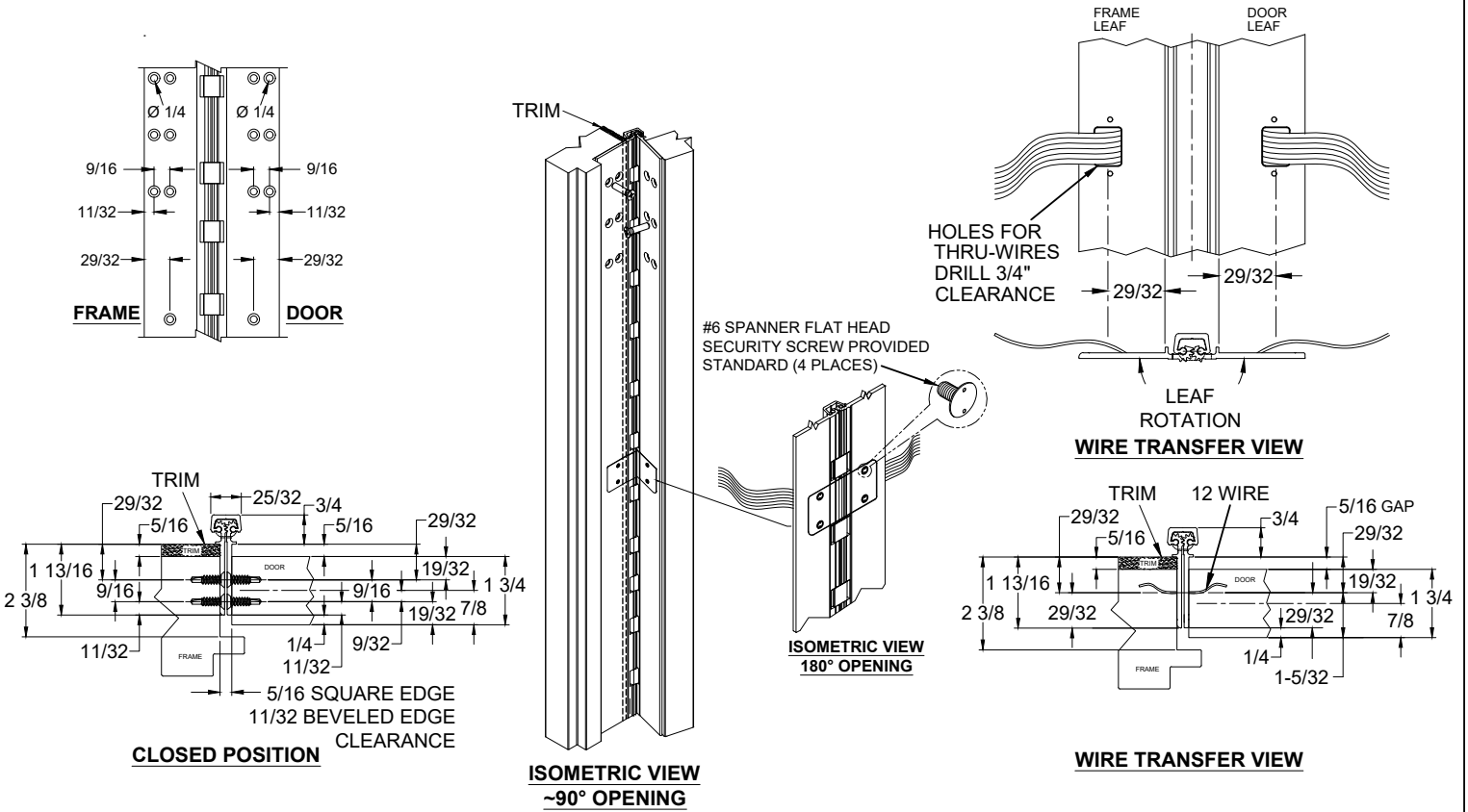
www.abhmfg.com
E-mail: abhinfo@abhmfg.com
Architectural Builders Hardware Mfg., Inc.
1222 Ardmore Ave., Itasca, IL 60143
630.875.9900; FAX 800.9FAXABH (932.9224)

**A280HD/LL - "EA" OPTION, EASY ACCESS
CONCEALED ELECTRIFICATION**

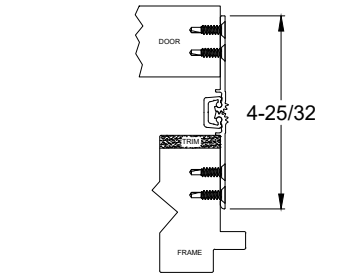
© 2023 ABH Mfg., Inc.
printed in USA

**PAGE 1 OF 3
REVISED 06-06-23**

**A280HD/LL - "EA" OPTION, EASY ACCESS CONCEALED ELECTRIFICATION,
ALUMINUM GEARED HINGE FOR 1-3/4" ALUMINUM DOORS & FRAMES WITH SNAP ON TRIM,
FULL CONCEALED**



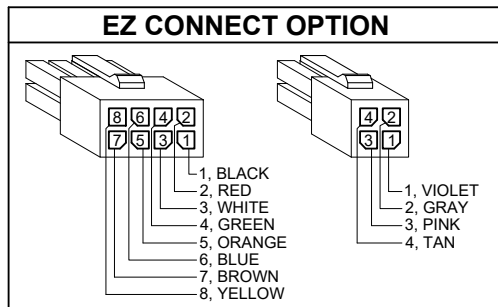
90° OPENING



180° OPENING

NOTES:

- MOLEX Ⓢ CONNECTOR OPTION AVAILABLE - SUFFIX "EZ".**
* SPECIFY ELECTRIFIED HARDWARE MANUFACTURER FOR CONNECTOR COMPABILITY



SPECIFICATION:

DESCRIPTION: SINGLE CONDUCTOR #22 AWG MINIATURE HOOK-UP WIRE FOR APPLICATIONS REQUIRING EXTREME FLEXIBILITY.

CONDUCTOR: #22 AWG 168/44 (0.002") SOFT BARE COPPER LHL.

INSULATION: PROPRIETARY FORMULATION PVC 0.010" NOM. WALL MEETS VW-1 FLAME REQUIREMENT.

DIAMETER: 0.053" ± 0.003".

RESISTANCE: 16.7 OHMS MAX. @ 20°C, PER 1000 FT.

VOLTAGE RATING: 600 VOLTS RMS, DEPENDING ON SPECIFICATION.

AVAILABLE AS RoHS COMPLIANT.

A280HD- "EA" OPTION, EASY ACCESS CONCEALED ELECTRIFICATION-2-04.DWG



www.abhmfg.com
E-mail: abhinfo@abhmfg.com
Architectural Builders Hardware Mfg., Inc.
1222 Ardmore Ave., Itasca, IL 60143
630.875.9900; FAX 800.9FAXABH (932.9224)

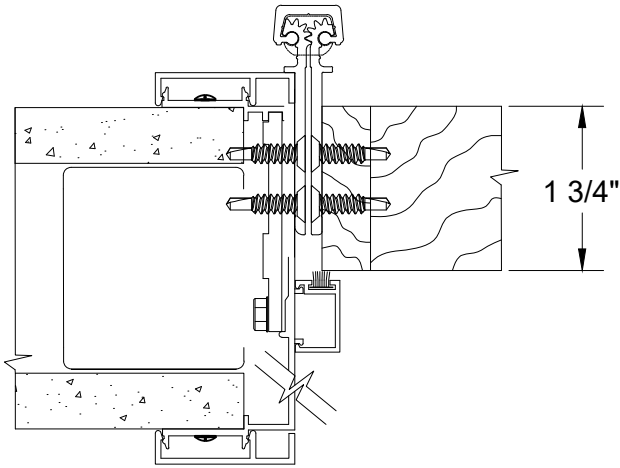
© 2023 ABH Mfg., Inc.
printed in USA

**A280HD/LL - "EA" OPTION, EASY ACCESS
CONCEALED ELECTRIFICATION**

**A280HD/LL - "EA" OPTION, EASY ACCESS CONCEALED ELECTRIFICATION,
ALUMINUM GEARED HINGE FOR 1-3/4" ALUMINUM DOORS & FRAMES WITH SNAP ON TRIM,
FULL CONCEALED**

A280 WITH VERSATRAC

ABH A280

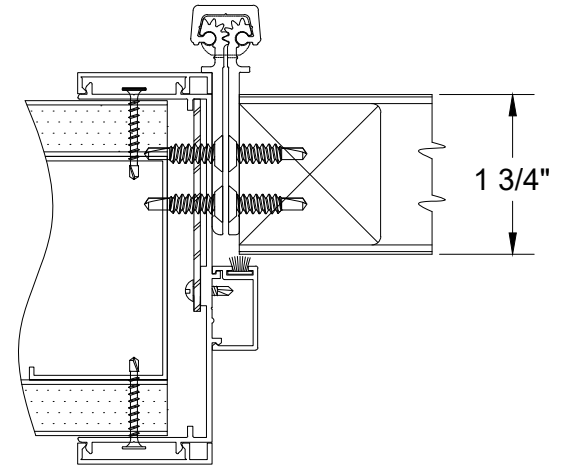


VT-2 HINGE JAMB

300, 400, 725, 90 MIN.
VERSATRIM FRAME SECTIONS

A280 WITH FRAMEWORKS

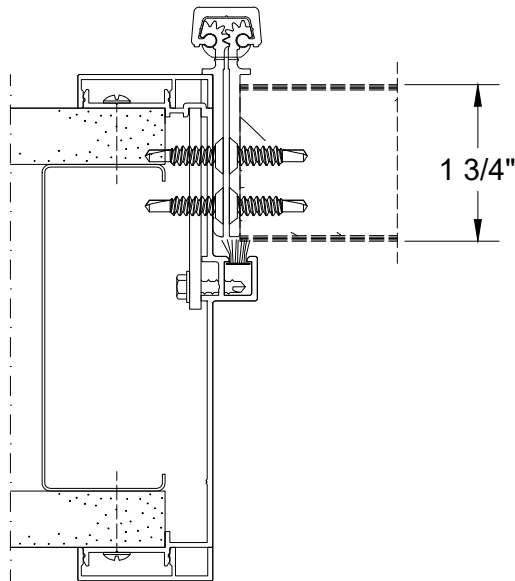
ABH A280



FRAMEWORKS TYPE 2 HINGE JAMB

A280 WITH RACO

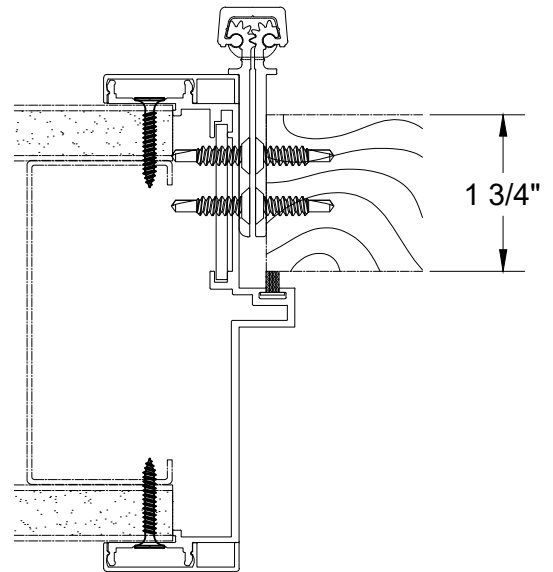
ABH A280



RACO TYPE 2, SOLUTIONS II HINGE JAMB

A280 WITH WILSON PARTITIONS

ABH A280



WILSON PARTITON - 487 Series (TYPE 2)

A280HD- "EA" OPTION, EASY ACCESS CONCEALED ELECTRIFICATION-3-04.DWG



www.abhmfg.com
E-mail: abhinfo@abhmfg.com
Architectural Builders Hardware Mfg., Inc.
1222 Ardmore Ave., Itasca, IL 60143
630.875.9900; FAX 800.9FAXABH (932.9224)

© 2023 ABH Mfg., Inc.
printed in USA

**A280HD/LL - "EA" OPTION, EASY ACCESS
CONCEALED ELECTRIFICATION**

**PAGE 3 OF 3
REVISED 06-06-23**