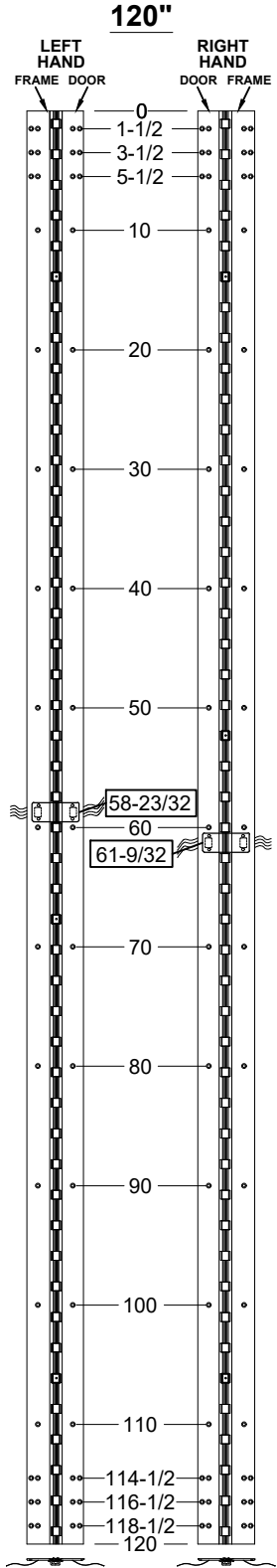
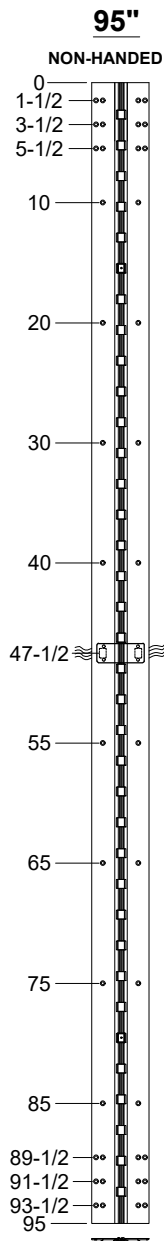
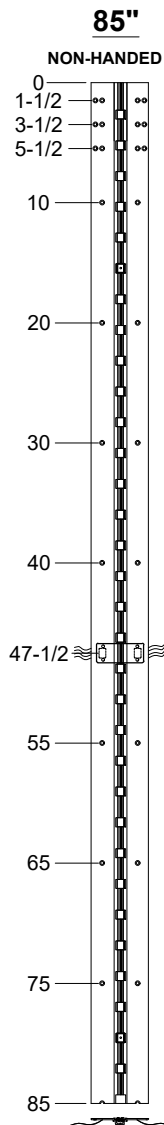
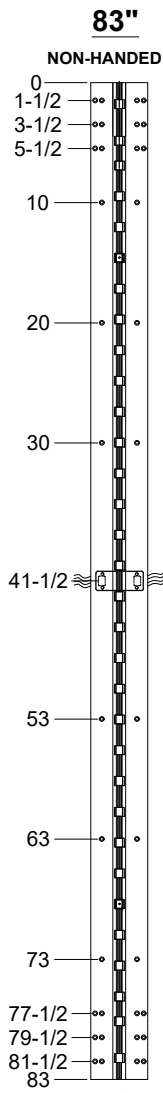
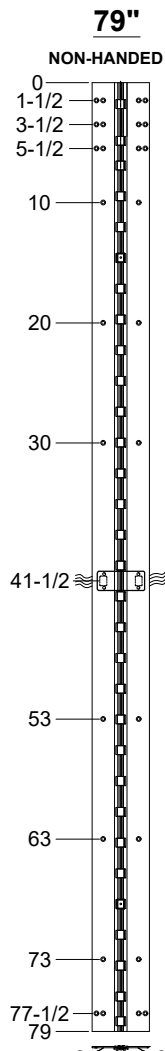


**A280HD - "EA" OPTION, EASY ACCESS CONCEALED ELECTRIFICATION,
ALUMINUM GEARED HINGE FOR 1-3/4" ALUMINUM DOORS & FRAMES WITH SNAP ON TRIM,
FULL CONCEALED**



12 WIRE STANDARD

NOTES:

- HINGES CUT TO CUSTOM LENGTH ARE CUT FROM BOTTOM OF HINGE. CUSTOM CUT HINGE REQUIRES HANDING.



STANDARD HINGE SIZES & SCREW DETAIL					
NOMINAL DOOR HEIGHT	6'8"	7'0"	7'2"	8'0"	10'0"
ACTUAL HINGE LENGTH	79"	83"	85"	95"	120"
FRAME	12-24 x 7/8" PHILLIPS FLAT HEAD, UNDERCUT, SELF DRILLING, THREAD FORMING TEK MACHINE SCREW				
	14	18	13	20	23
DOOR	12-24 x 7/8" PHILLIPS FLAT HEAD, UNDERCUT, SELF DRILLING, THREAD FORMING TEK MACHINE SCREW				
	14	18	13	20	23

A280HD- "EA" OPTION, EASY ACCESS CONCEALED ELECTRIFICATION-1-01



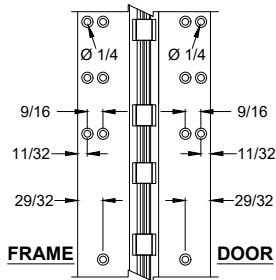
www.abhmfg.com
 E-mail: abhinfo@abhmfg.com
 Architectural Builders Hardware Mfg., Inc.
 1222 Ardmore Ave., Itasca, IL 60143
 630.875.9900; FAX 800.9FAXABH (932.9224)

**A280HD - "EA" OPTION, EASY ACCESS
CONCEALED ELECTRIFICATION**

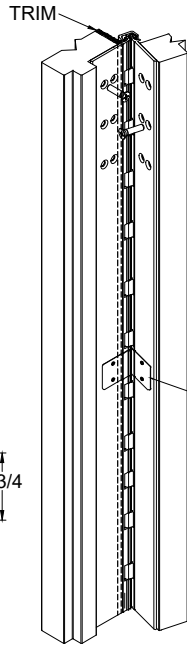
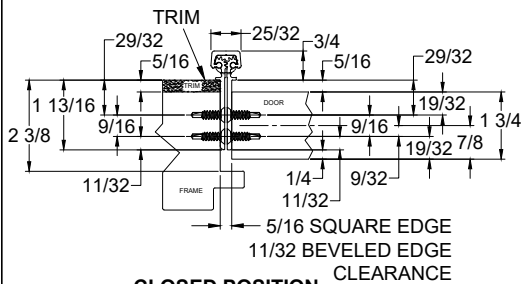
© 2020 ABH Mfg., Inc.
printed in USA

PAGE 1 OF 3
ISSUED 05-05-20

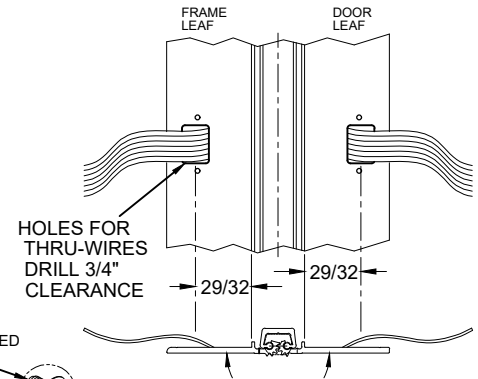
**A280HD - "EA" OPTION, EASY ACCESS CONCEALED ELECTRIFICATION,
ALUMINUM GEARED HINGE FOR 1-3/4" ALUMINUM DOORS & FRAMES WITH SNAP ON TRIM,
FULL CONCEALED**



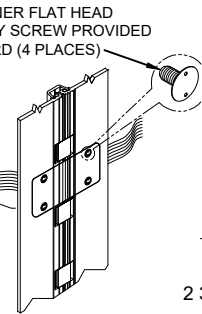
CLOSED POSITION



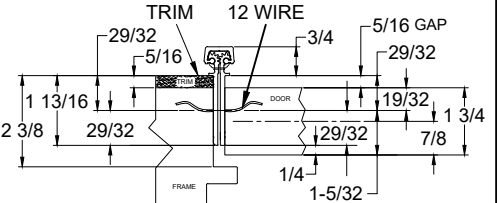
**ISOMETRIC VIEW
~90° OPENING**



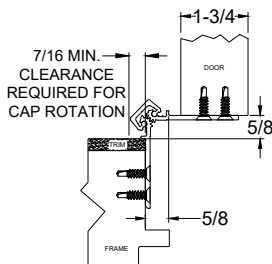
**LEAF ROTATION
WIRE TRANSFER VIEW**



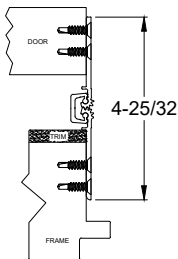
**ISOMETRIC VIEW
180° OPENING**



WIRE TRANSFER VIEW



90° OPENING

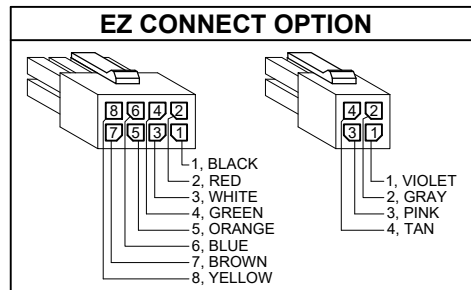


180° OPENING

NOTES:

1. MOLEX Ⓢ CONNECTOR OPTION AVAILABLE - SUFFIX "EZ".

* SPECIFY ELECTRIFIED HARDWARE MANUFACTURER FOR CONNECTOR COMPABILITY



SPECIFICATION:

DESCRIPTION: SINGLE CONDUCTOR #22 AWG MINIATURE HOOK-UP WIRE FOR APPLICATIONS REQUIRING EXTREME FLEXIBILITY.

CONDUCTOR: #22 AWG 168/44 (0.002") SOFT BARE COPPER LHL.

INSULATION: PROPRIETARY FORMULATION PVC 0.010" NOM. WALL MEETS VW-1 FLAME REQUIREMENT.

DIAMETER: 0.053" ± 0.003".

RESISTANCE: 16.7 OHMS MAX. @ 20°C, PER 1000 FT.

VOLTAGE RATING: 600 VOLTS RMS, DEPENDING ON SPECIFICATION.

AVAILABLE AS RoHS COMPLIANT.

A280HD-"EA" OPTION, EASY ACCESS CONCEALED ELECTRIFICATION-2-01



www.abhmfg.com
E-mail: abhinfo@abhmfg.com
Architectural Builders Hardware Mfg., Inc.
1222 Ardmore Ave., Itasca, IL 60143
630.875.9900; FAX 800.9FAXABH (932.9224)

**A280HD - "EA" OPTION, EASY ACCESS
CONCEALED ELECTRIFICATION**

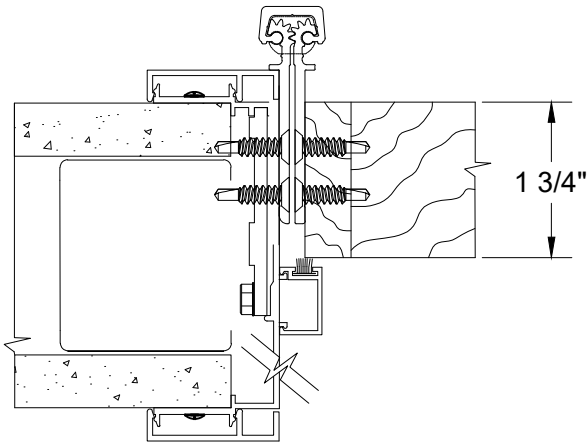
© 2020 ABH Mfg., Inc.
printed in USA

PAGE 2 OF 3
ISSUED 05-05-20

**A280HD - "EA" OPTION, EASY ACCESS CONCEALED ELECTRIFICATION,
ALUMINUM GEARED HINGE FOR 1-3/4" ALUMINUM DOORS & FRAMES WITH SNAP ON TRIM,
FULL CONCEALED**

A280 WITH VERSATRAC

ABH A280

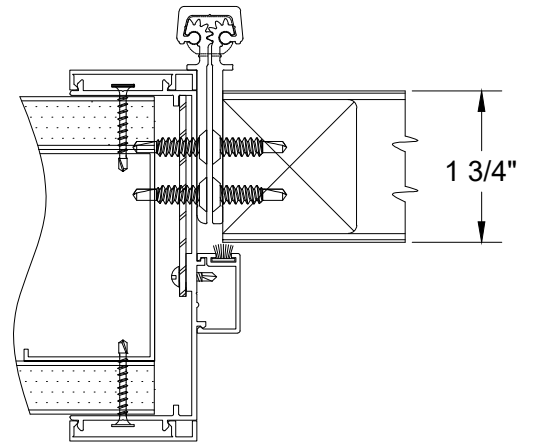


VT-2 HINGE JAMB

300, 400, 725, 90 MIN.
VERSATRIM FRAME SECTIONS

A280 WITH FRAMEWORKS

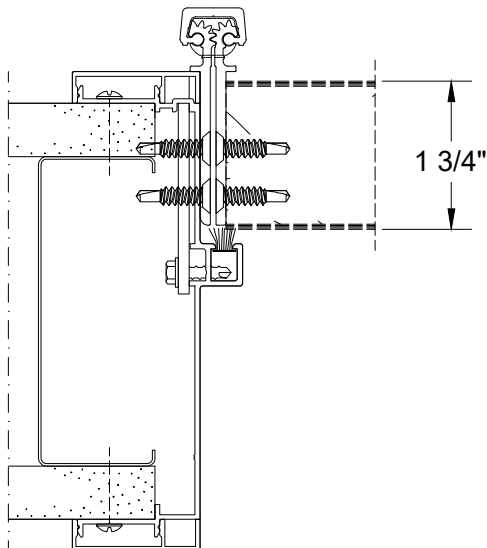
ABH A280



FRAMEWORKS TYPE 2 HINGE JAMB

A280 WITH RACO

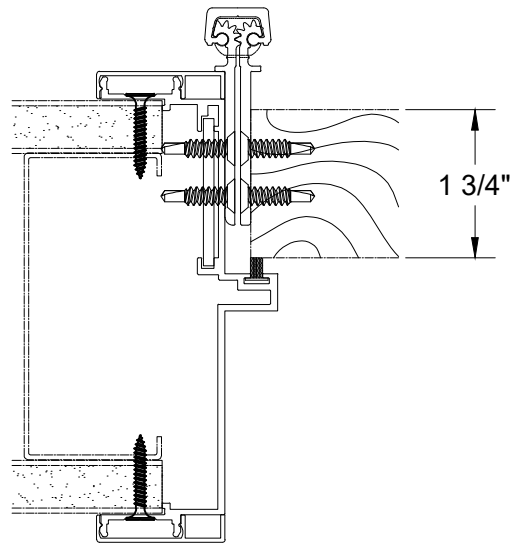
ABH A280



RACO TYPE 2, SOLUTIONS II HINGE JAMB

A280 WITH WILSON PARTITIONS

ABH A280



WILSON PARTITON - 487 Series (TYPE 2)

A280HD - "EA" OPTION, EASY ACCESS CONCEALED ELECTRIFICATION-3-01



www.abhmfg.com
E-mail: abhinfo@abhmfg.com
Architectural Builders Hardware Mfg., Inc.
1222 Ardmore Ave., Itasca, IL 60143
630.875.9900; FAX 800.9FAXABH (932.9224)

**A280HD - "EA" OPTION, EASY ACCESS
CONCEALED ELECTRIFICATION**

© 2020 ABH Mfg., Inc.
printed in USA

**PAGE 3 OF 3
ISSUED 05-05-20**